

**CONGRATULATIONS**

**TO THE**

**2023**

**MIDDLE ATLANTIC**

**WRESTLING ASSOCIATION**

**ALL AMERICANS**

**May 6 – 7, 2023**

**Wicomico Youth & Civic Center**

**Salisbury, MD**

<b>Division</b>	<b>Weightt Class</b>	<b>Place</b>	<b>First Name</b>	<b>Last Name</b>	<b>City-State</b>
Bantam Girls	41	1	Callie	Brannon	Danville, PA
Bantam Girls	41	2	Avery	Decker	Plainfield, CT
Bantam Girls	41	3	Harper	Maney	Bellefonte, PA
Bantam Girls	41	4	Sophia	Callias	Tenaflly, NJ
Bantam Girls	41	5	Triss	Vest	Carlisle, PA
Bantam Girls	46	1	Charae	Gregula	Pittsburgh, PA
Bantam Girls	46	2	Scarlett	McKeown	Bear Creek, PA
Bantam Girls	46	3	Jolene	Hardy	Carlisle, PA
Bantam Girls	46	4	Vanessa	Snodgrass	Bradford, PA
Bantam Girls	51	1	Tinley	Brannon	Danville, PA
Bantam Girls	51	2	Tyanna	Evans	Vineland, NJ
Bantam Girls	51	3	Kinsley	Kirwan	Chestertown, MD
Bantam Girls	51	4	Jannah	Ewis	Plains, PA
Bantam Girls	51	5	Maya	Houseknecht	Montgomery, PA
Bantam Girls	51	6	Skylah	Green	Dallas, PA
Bantam Girls	51	7	Lakota	Guffey	Seilingsgrove, PA
Bantam Girls	51	8	Gracelyn	Elliott	Homer City, PA
Bantam Girls	56	1	Harper	Neith	Coopersburg, PA
Bantam Girls	56	2	Savannah	Troutman	Elizabethville, PA
Bantam Girls	56	3	Reagan	Brown	Acme, PA
Bantam Girls	56	4	Liliana	Gaskill	Harrisburg, PA
Bantam Girls	56	5	Layla	Hillier	Montrose, PA
Bantam Girls	56	6	Princess-Maria	Sledge	Endicott, NY
Bantam Girls	61	1	Luci	Tiankee	Belleville, NJ
Bantam Girls	61	2	Olivia	Myers	Muncy, PA
Bantam Girls	61	3	Eden	Slody	Springville, PA
Bantam Girls	61	4	Advika	Bhaskaran	Wilmington, DE
Bantam Girls	66	1	Lucy	Taber	Steelton, PA
Bantam Girls	66	2	Adalynn	Davis	Galena, MD
Bantam Girls	66	3	Aria	Parks	Greene, NY
Bantam Girls	86	1	Paisley	Casto	St. Marys, WV
Bantam Girls	86	2	Maeve	Dunn	Fredericksburg, VA
Bantam Girls	86	3	Hayleigh	Morder	Huntingdon, PA
Bantam Girls	86	4	Madison	Sepelya	Asbury, NJ
Bantam Girls	86	5	Savannah	Proffitt	Mc Clure, PA
Bantam Girls	86	6	Evelynn	Wolfgram	Tremont, PA
Midget Girls	55	1	Marley	Dixon	DuBois, PA
Midget Girls	55	2	Honor	Pluchino	Flemington, NJ
Midget Girls	55	3	Zoey	Eicher	Smithfield, PA
Midget Girls	55	4	Isla	Coryell	Pottstown, PA
Midget Girls	55	5	Lorelei	Decker	Plainfield, CT
Midget Girls	55	6	Maevan	Sola	Boyertown, PA
Midget Girls	55	7	Makenzie	Snee	Hallstead, PA
Midget Girls	61	1	Mia	Magagnotti	Punxutawney, PA
Midget Girls	61	2	Allison	Krantz	Newark, DE
Midget Girls	61	3	Jae	Swanick	Hawley, PA
Midget Girls	61	4	Riley	Jones	Cape May Court House, NJ
Midget Girls	61	5	Parker	Hoover	Canton, PA
Midget Girls	61	6	Kara	Shaffer	Rimersburg, PA
Midget Girls	61	7	Jocelyn	Hack	Muncy, PA
Midget Girls	61	8	Jayda	Heaton	Woodbine, NJ

Midget Girls	68	1	Avery	Haber	Chestertown, MD
Midget Girls	68	2	Maddilyn	Lewis	Warriors Mark, PA
Midget Girls	68	3	Kylie	Houseknecht	Montgomery, PA
Midget Girls	68	4	Dani	Schlachter	Petersburg, NJ
Midget Girls	68	5	Madison	Farberman	Bainbridge, NY
Midget Girls	68	6	Eliana	Servis	Fair Lawn, NJ
Midget Girls	68	7	Amelia	Spatzer	Easton, PA
Midget Girls	68	8	Madison	Tomlinson	Bensalem, PA
Midget Girls	75	1	Keira	Cunningham	Sea Isle City, NJ
Midget Girls	75	2	Piper	Full	Clarks Summit, PA
Midget Girls	75	3	Charlotte	Catania	Magnolia, NJ
Midget Girls	75	4	Jordyn	Muhs	Shippensburg, PA
Midget Girls	75	5	Kyra	Bradley	Franklin, NJ
Midget Girls	75	6	Evelyn	Pittman	Dover, PA
Midget Girls	75	7	Gabby	O'Dell	Dansville, NY
Midget Girls	75	8	Kylee	Walker	, Md
Midget Girls	84	1	Mia	Williams	Virginia Beach, VA
Midget Girls	84	2	Alana	Hillier	Montrose, PA
Midget Girls	84	3	Abigail	Neidig	York, PA
Midget Girls	84	4	Amelia	Cobbs	Pittsburgh, PA
Midget Girls	84	5	Amelia	Peterson	Mehoopany, PA
Midget Girls	84	6	Alivia	Lannon	Palmyra, NY
Midget Girls	84	7	Eva	Compo	Quakertown, PA
Midget Girls	84	8	Emerie	Callan	Greene, NY
Midget Girls	93	1	Grayson	Richburg	Baltimore, MD
Midget Girls	93	2	Aisha	Abdussamad	Egg Harbor Township, NJ
Midget Girls	93	3	Zsofia	Quiles	Norwich, CT
Midget Girls	93	4	Luella	Gardner	Hughesville, PA
Midget Girls	93	5	Brilyn	Schaffer	Bloomsburg, PA
Midget Girls	93	6	Addison	Burke	Kearny, NJ
Midget Girls	93	7	Sophia	Daniels	Milford, DE
Midget Girls	93	8	Laney	Miller	Imler, PA
Midget Girls	103	1	Willow	Reynolds	Montgomery, PA
Midget Girls	103	2	Peyton	Segata	Langhorne, PA
Midget Girls	103	3	Amelia	Wright	Chemung, NY
Midget Girls	103	4	Dakota	Slody	Springville, PA
Midget Girls	103	5	Jazlynn	Dale	Oakland, MD
Midget Girls	134	1	Victoria	Lu	Parsippany, NJ
Midget Girls	134	2	Alexis	Mott	Masonville, NY
Midget Girls	134	3	Alice	Shaver	Nineveh, NY
Midget Girls	134	4	Morgana	Dunn	Fredericksburg, VA
School Girls	70	1	McKenzie	Astorino	Curwensville, PA
School Girls	70	2	Cidney	Schaffer	Dalton, PA
School Girls	70	3	Aunnika	Imler	East Freedom, PA
School Girls	70	4	Malaina	Comfort	Williamsport, PA
School Girls	70	5	Aubrey	Saunders	Dundalk, MD
School Girls	70	6	Trinity	Lord	Great Bend, PA
School Girls	78	1	Mackenzie	Gappa	Quakertown, PA
School Girls	78	2	Isabella	Rogers	Feasterville, PA
School Girls	78	3	Brynn	Cunningham	Sea Isle City, NJ
School Girls	78	4	Peyton	Schneck	Emmaus, PA
School Girls	78	5	Nora	Harte	Danville, PA

School Girls	86	1	Hadley	Heaster	Montgomery, PA
School Girls	86	2	Faith	Gladfelter	York, PA
School Girls	86	3	Hawkins	Nialah	Binghamton, NY
School Girls	86	4	Stella	Kramer	Lawrenceville, NJ
School Girls	86	5	Isabella	Peterson	Mehoopany, PA
School Girls	86	6	Alexandria	Hunter	Sherburne, NY
School Girls	95	1	Shannon	Logue	Malvern, PA
School Girls	95	2	Kaila	Keesecker	Munhall, PA
School Girls	95	3	Gianna	Montegari	Reading, PA
School Girls	95	4	Teagan	Shuman	Fleetwood, PA
School Girls	95	5	Elliana	Juarez	Lincoln University, DE
School Girls	95	6	Annessa	Stutz	Manchester, MD
School Girls	95	7	Kandice	Noble	Springville, PA
School Girls	95	8	Julia	Ritter	Muncy, PA
School Girls	105	1	Isabella	Phelps	Masonville, NY
School Girls	105	2	Kaylee	Dayhoff	New Bloomfield, PA
School Girls	105	3	Trinity	Kowalczk	Arendtsville, PA
School Girls	105	4	Sonia	Munetz	Liverpool, NY
School Girls	105	5	Juliet	Chin	Silver Spring, MD
School Girls	105	6	Holly	Mckinney	Souderton, PA
School Girls	105	7	Grey	Henecker	Glen Rock, NJ
School Girls	105	8	Jenna	Houseknecht	Montgomery, PA
School Girls	115	1	J C	Allis	Towanda, PA
School Girls	115	2	Kylee	Trostle	Richland, PA
School Girls	115	3	Raleigh	Romberger	Smithsburg, MD
School Girls	115	4	Alexis	Nicholas	Frederick, MD
School Girls	115	5	Allison	Zarnowski	Lignum, VA
School Girls	115	6	Sophia	Holmes	Clayton, NJ
School Girls	115	7	Samirah	Abdussamad	Egg Harbor Township, NJ
School Girls	115	8	Lucia	Crossken	Coopersburg, PA
School Girls	130	1	Jocelyn	Danbe	Oradell, NJ
School Girls	130	2	Nevaeh	Colon	Easton, PA
School Girls	130	3	Geanna	Lemke	Tremont, PA
School Girls	130	4	Charlotte	Hunt	Philipsburg, PA
School Girls	130	5	Savannah	Elling	Frederick, MD
School Girls	130	6	Peyton	Dockey	Pine Grove, PA
School Girls	130	7	Giannas	Jones	Birchrunville, PA
School Girls	130	8	Iley	Dinsmore	Chambersburg, PA
School Girls	170	1	Kyah	Nelson	Barton, NY
School Girls	170	2	Kelynn	Dunn	Fredericksburg, VA
School Girls	170	3	Maddison	Miller	Beach Lake, PA
School Girls	170	4	Georgina	Leet	Montgomery , PA
School Girls	170	5	Ariana	Soto	Montvale, NJ
School Girls	170	6	Kirsten	Grubbs	Northumberland, PA
School Girls	170	7	Denise	Valencia	Stratford, NJ
School Girls	170	8	Amelia	Reed	Millport, NY
High School Girls	96	1	Cadence	Guy	Oneonta, NY
High School Girls	96	2	Danica	Bacorn	South Williamsport, PA
High School Girls	96	3	Logan	Newton	Md
High School Girls	103	1	Natalie	Handy	Glenville, PA
High School Girls	103	2	Faith	Day	Manchester, MD
High School Girls	110	1	Lillian	Rumsey	Williamsport, PA

High School Girls	110	2	Layla	Lagunas	Hampstead, MD
High School Girls	110	3	Carlie	Ciresa	East Stroudsburg, PA
High School Girls	110	4	Nola	Allen	Morganville, NJ
High School Girls	110	5	Bryn	Cespedes	Jarrettsville, MD
High School Girls	110	6	Callie	Dolt	Dover, DE
High School Girls	110	7	Leonora	Serrano	Sherburne, NY
High School Girls	118	1	Adelynne	Till	Newark, DE
High School Girls	118	2	Sophia	Hodges	Pasedena, MD
High School Girls	118	3	RaeAnn	Craft	Owego, NY
High School Girls	118	4	Aaliyah	Hernandez	New Britain, CT
High School Girls	118	5	Anastasia	Dakoulas	Rockville, MD
High School Girls	118	6	Jennie	Burnham	East Meredith, NY
High School Girls	118	7	Emmy	Dolt	Dover, DE
High School Girls	118	8	Brynn	Ryan	Hampstead, MD
High School Girls	125	1	Riley	Lerner	May Landing
High School Girls	125	2	Makenna	Dolt	Dover, DE
High School Girls	125	3	Adrianna	Bowling	Arendtsville, PA
High School Girls	125	4	Saige	Olver	Damascus, PA
High School Girls	125	5	Autumn	Littleton	Harrington, DE
High School Girls	125	6	Kylie	Wright	Egg Harbor Twp, NJ
High School Girls	125	7	Callie	Serio	Frederick, MD
High School Girls	125	8	Clara	Freeman	Columbia, MD
High School Girls	132	1	Shea	Aretz	Milmay, NJ
High School Girls	132	2	Dara	Lin	Garnerville, NY
High School Girls	132	3	Hanna	Rathbun	Ulster, PA
High School Girls	132	4	Emma	Coesfeld	Franklinville, NJ
High School Girls	132	5	Emma	Arnold	W. Grove, PA
High School Girls	132	6	Angel	Upright	Hanover, PA
High School Girls	140	1	Selina	Moore	Sherburne, NY
High School Girls	140	2	Marissa	Rumsey	Williamsport, PA
High School Girls	140	3	Alahna	Morris	Harveys Lake, PA
High School Girls	140	4	Amber	Hunter-Synder	Bear, DE
High School Girls	140	5	Jessica	Ayala	Glen Mills, PA
High School Girls	140	6	Angelina	Watson	Lindenwold, NJ
High School Girls	140	7	Janessa	Santiago	Morrisville, NY
High School Girls	140	8	Ava	Torres	Suffern, NY
High School Girls	148	1	Alexandra	Ford	Laurel, MD
High School Girls	148	2	Gabrielle	Bambarger	Curwensville, PA
High School Girls	148	3	Molly	Winters	Wernersville, PA
High School Girls	148	4	Jamie	Henderson	Olyphant, PA
High School Girls	148	5	Autumn	Connolly	Lebanon, NJ
High School Girls	148	6	Kiara	Davidson	Johnson City, NY
High School Girls	158	1	Katie	Martin	Manchester, MD
High School Girls	158	2	Zoe	Kip	Liberty, NY
High School Girls	158	3	Abigail	Wagner	Sayre, PA
High School Girls	158	4	Riley	Dunn	Bloomsbury, NJ
High School Girls	158	5	Isabell	Dennis	Cameron, NY
High School Girls	158	6	Kaira	Lawson	Harrington, DE
High School Girls	158	7	Devyn	Stilton	Toms River, NJ
High School Girls	175	1	Ugochi	Anunobi	Randallstown, MD
High School Girls	175	2	Azariyah	Johnson	Berlin, MD
High School Girls	175	3	Rebecca	Dryden	Swedesboro, NJ

High School Girls	175	4	Daisy	Glessner	Philipsburg, PA
High School Girls	190	1	Shaelie	Young	Westville, NJ
High School Girls	190	2	Chaniah	Bernier	Berlin, MD
Bantam	40	1	Leo	Alojado	Hasbrouck Heights, NJ
Bantam	40	2	Bentley	Balcerak	Salisbury, MD
Bantam	40	3	Russell	White	Palmyra, NY
Bantam	40	4	Kaden	Slebodnik	Rostraver Township, PA
Bantam	40	5	Lukas	Gregula	Pittsburgh, PA
Bantam	40	6	Kaiem	Bromwell	Pasadena, MD
Bantam	40	7	Daniel	Beltran	Laurel, MD
Bantam	40	8	Tanner	Albright	York, PA
Bantam	44	1	Luke	Rehak	Pittsburgh, PA
Bantam	44	2	Hunter	Schuch	Langhorne, PA
Bantam	44	3	Angelo	Barbieri	Delran, NJ
Bantam	44	4	Ephram	Kazar	Danville, PA
Bantam	44	5	Kamden	Foster	Hudson Falls, NY
Bantam	44	6	Ryker	Polk	Chesapeake, VA
Bantam	44	7	Francis	Schemeley	Franklinville, NJ
Bantam	44	8	Ronan	VanBuren	Hartwick, NY
Bantam	48	1	Lucas	Krause	Fair Lawn, NJ
Bantam	48	2	Lucas	Corredor	Marlton, NJ
Bantam	48	3	Owen	Brink	Punxsutawney, PA
Bantam	48	4	Jack	Sanders	Dalton, PA
Bantam	48	5	Gabriel	Beltran	Laurel, MD
Bantam	48	6	Maverick	Elliott	Milford, PA
Bantam	48	7	Tyanna	Evans	Vineland, NJ
Bantam	48	8	Kellen	Priolo	West Friendship, MD
Bantam	52	1	Graham	Dyson	Moscow, PA
Bantam	52	2	Carter	Pollock	Baldwinsville, NY
Bantam	52	3	Beau	McKeown	Wilkes-Barre, PA
Bantam	52	4	Lorenzo	Barbieri	Delran, NJ
Bantam	52	5	Shaikh	Esa Ahmed	Honeoye Falls, NY
Bantam	52	6	Mason	Falcone	King Of Prussia, PA
Bantam	52	7	Jackson	Swackhammer	Valencia, PA
Bantam	52	8	Colton	Masker	Hackettstown, NJ
Bantam	56	1	Chase	Boyer	McKeesport, PA
Bantam	56	2	Peter	Capogna	Sand Beach
Bantam	56	3	Ace	Beltz	Waynesboro, PA
Bantam	56	4	Raymond	Hardman IV	Oakton, VA
Bantam	56	5	Nathyn	Chapman	Bernhars Bay, NY
Bantam	56	6	Calvin	Thompson	Millersville, MD
Bantam	56	7	Jackson	Gates	Easton, PA
Bantam	56	8	Zayne	Woodworth	Baldwinsville, NY
Bantam	60	1	Zachary	Jackson	Siiclerville, NJ
Bantam	60	2	Porter	Fissel	New Oxford, PA
Bantam	60	3	Noah	Kalebek	Fair Lawn, NJ
Bantam	60	4	Kaiden	Crowley	Altamont, NY
Bantam	60	5	Jordan	Sampson	Williamstown, NJ
Bantam	60	6	Luke	Baublitz	Stewartstown, PA
Bantam	60	7	Bryson	Bistline	Lykens, PA
Bantam	60	8	Jaquil	Rodgers	Smyrna, DE
Bantam	65	1	Maddox	Wilson	Sandy Hook, CT

Bantam	65	2	Colson	Long	Rochester, PA
Bantam	65	3	Cameron	Doroshenko	Spring Brook Township, PA
Bantam	65	4	Brylan	Zerbe	Valley View, PA
Bantam	65	5	Jaxon	Jolley	Norwich, CT
Bantam	65	6	Luci	Tiankee	Belleville, NJ
Bantam	65	7	Maximus	Farace	Littlestown, PA
Bantam	65	8	Mason	Freeborn	Reading, PA
Bantam	73	1	Rally	Zinck	Philadelphia, PA
Bantam	73	2	Coleman	Beecroft	Spring Grove, PA
Bantam	73	3	Christopher	Magness	Fairfax, VA
Bantam	73	4	Grant	Casselberry	Covington, PA
Bantam	73	5	Stephan	Purnell	Sicklerville, NJ
Bantam	73	6	Ty	Silverstrim	Bethany, CT
Bantam	73	7	Colton	Boose	New Oxford, PA
Bantam	73	8	Greyson	Roche	Eighty Four, PA
Bantam	93	1	Carter	Smeak	Stoystown, PA
Bantam	93	2	Sean	Klimkowski	Indiana, PA
Bantam	93	3	TreSean	Johnson	Earlville, NY
Bantam	93	4	Warner	Sines	Oakland, MD
Bantam	93	5	Bryce	Ostaszewski	Williamstown, NJ
Bantam	93	6	James	Katona	Plymouth Meeting, PA
Bantam	93	7	Riley	Richards	Baltimore, MD
Midget	50	1	Johnny	Messina	Lincoln Park, NJ
Midget	50	2	Jase	Atherton	Milroy, PA
Midget	50	3	Kaine	Salisbury	Owings, MD
Midget	50	4	River	Martin	Champion, PA
Midget	50	5	Johnny	Shubiak	Whitehouse Station, NJ
Midget	50	6	Sam	Levine	Columbia, MD
Midget	50	7	Brody	Rogers	Feasterville, PA
Midget	50	8	Miles	Intorre	Middletown, PA
Midget	54	1	Kellan	Winters	Bridgeport, NY
Midget	54	2	Mason	Kolva	Dillsburg, PA
Midget	54	3	Vincent	McQuone	Middlesex, NJ
Midget	54	4	Javon	Haliburton	Middletown, DE
Midget	54	5	Louis	Alojado	Hasbrouck Heights, NJ
Midget	54	6	Logan	Ritchey	York, PA
Midget	54	7	Ryley	Herwig	Catonsville, MD
Midget	54	8	Caleb	Stottlemeyer	Dundalk, MD
Midget	58	1	John	Cambra	Barnesville, PA
Midget	58	2	Owen	Begeal	Masonville, NY
Midget	58	3	Isaac	Jayson	Canastota, NY
Midget	58	4	Bradley	Snyder	Knoxville, MD
Midget	58	5	Ryder	Limpar	Walnutport, PA
Midget	58	6	Oakley	Leese	Dover, PA
Midget	58	7	Colton	Hobbs	Middletown, DE
Midget	58	8	Jacob	Wenrich	Julian, PA
Midget	62	1	Zayne	Young	Hardwick, NJ
Midget	62	2	Connor	Dobson	Anita, PA
Midget	62	3	Matthew	Bly	Wilkes-Barre, PA
Midget	62	4	Brenner	Wilson	Hanover, PA
Midget	62	5	Lucas	Harris	Vineland, NJ
Midget	62	6	Ryder	Hernandez	Orrtanna, PA

Midget	62	7	Dallas	Donmoyer	Garnet Valley, PA
Midget	62	8	Dexter	Galofaro	Leesburg, VA
Midget	66	1	Nickolas	Patterson	Walkkill, NY
Midget	66	2	Travis	Butenewicz	Vineland, NJ
Midget	66	3	Jack	Lauer	Marmora, NJ
Midget	66	4	Dekota	Towler	Pittsburgh, PA
Midget	66	5	Brandon	Flamini	Cranford, NJ
Midget	66	6	Asher	Burke	Etters, PA
Midget	66	7	Mason	Reis	Muncy, PA
Midget	66	8	Parker	Topa	Southington, CT
Midget	70	1	Colton	Louderback	Langhorne, PA
Midget	70	2	Avery	Haber	Chestertown, MD
Midget	70	3	Silas	Bennett	Gillett, PA
Midget	70	4	Elijah	Santiago	Allentown, PA
Midget	70	5	Gus	Engelman	Mountain Top, PA
Midget	70	6	Kaleb	Pollock	Baldwinsville, NY
Midget	70	7	Alexander	Fisher	Jersey Shore, PA
Midget	70	8	Max	Garcia	Leesburg, VA
Midget	75	1	Jared	Haddock Jr	Ellendale, DE
Midget	75	2	Aaron	Szumowski	Millstone, NJ
Midget	75	3	Jax	Paranto	Westville, NJ
Midget	75	4	Nico	Bresadola	Warners, NY
Midget	75	5	Koleman	Smith	Media, PA
Midget	75	6	Logan	Trimmer	Etters, PA
Midget	75	7	Piper	Full	Clarks Summit, PA
Midget	75	8	Sawyer	Hatch	Honeoye Falls, NY
Midget	80	1	Carson	Kirk	Honey Grove, PA
Midget	80	2	John	Boyd	Alexandria, PA
Midget	80	3	Clint	Dwyer	Lafayette, NY
Midget	80	4	Douglas	Hazel	Greenwood, DE
Midget	80	5	Brian	Flynn	Lanham, MD
Midget	80	6	Cooper	Williams	Bloomsburg, PA
Midget	80	7	Caleb	Hodo	Laurel, MD
Midget	80	8	Tyler	Brown	Millville, NJ
Midget	85	1	Malec	Ksebe	Lewes, DE
Midget	85	2	Brian	Danbe	Oradell, NJ
Midget	85	3	Harper	Eschleman	Reading, PA
Midget	85	4	Ryker	Lowe	New Bloomfield, PA
Midget	85	5	Owen	Wysocki	Hanover, PA
Midget	85	6	Jordan	De Leon	Reading, PA
Midget	85	7	Kruze	Payne	Sayre, PA
Midget	85	8	Julian	Altiery	Reedsville, PA
Midget	93	1	Grayson	Leiva	York, PA
Midget	93	2	Hunter	Brown	Guilford, NY
Midget	93	3	Leon	Melton II	Glen Burnie, MD
Midget	93	4	Gray	Beacom	Robinson, PA
Midget	93	5	Bruce	Bazilus	Cranford, NJ
Midget	93	6	Coy	Crane	Lebanon, PA
Midget	93	7	Kai	Williams-Smith	Bowie, MD
Midget	93	8	Joseph	Dentato	Fairfield, NJ
Midget	105	1	Tyrone	Evans III	Vineland, NJ
Midget	105	2	Amelia	Wright	Chemung, NY



Midget	105	3	Tanner	Ingle	Thompsontown, PA
Midget	105	4	Liam	Dietrich	Greencastle, PA
Midget	105	5	Raphael	Dela Cruz	East Orange, NJ
Midget	105	6	Amir	Lynah	Endicott, NY
Midget	105	7	Wyatt	Smith	Meshoppen, PA
Midget	105	8	Logan	Degroft	Hanover, PA
Midget	134	1	Dylan	Reithmayr	Emerson, NJ
Midget	134	2	Tyliyah	Lofland	Pikesville, MD
Midget	134	3	Ash	Musto	Wellsboro, PA
Midget	134	4	Hank	Watson	Turbotville, PA
Midget	134	5	Ian	Redding, Jr	York, PA
Midget	134	6	Xander	Smith	Martinsburg, PA
Midget	134	7	Dante	Solis-Rodriguez	Pringle, PA
Midget	134	8	Chance	Joyce	Garnet Valley, PA
Junior	58	1	Ian	Montalto	Palmyra, PA
Junior	58	2	Bowen	Taylor	Tyrone, PA
Junior	58	3	William	Diksa	Havertown, PA
Junior	58	4	Troy	Wescott	N Syracuse, NY
Junior	58	5	Marco	Yodice	West Milford, NJ
Junior	58	6	Wyatt	Reiner	Pitman, PA
Junior	58	7	Michael	Maletta	Kings Park, NY
Junior	58	8	Jacob	Talley	Burke, VA
Junior	62	1	Anthony	Messina Jr.	Lincoln Park, NJ
Junior	62	2	Mason	Kephart	Duncansville, PA
Junior	62	3	Jayce	Schaffer	Bethel, PA
Junior	62	4	Hunter	Meyer	Lafayette, NY
Junior	62	5	Keegan	Pearce	Middletown, NY
Junior	62	6	Brady	Schneck	Emmaus, PA
Junior	62	7	Camden	Kagarise	Martinsburg, PA
Junior	62	8	Dylan	Overton	Baltimore, MD
Junior	66	1	Chael	Wawrzynowicz	Lebanon, CT
Junior	66	2	Caleb	Tsikerdanos	Frederick, MD
Junior	66	3	Rhys	Schaffer	Bethel, PA
Junior	66	4	Dennis	Gendel	Englishtown, NJ
Junior	66	5	Cooper	Boland	York, PA
Junior	66	6	Alex	Tsanev	Parkton, MD
Junior	66	7	Zaidan	Ewis	Plains, PA
Junior	66	8	Luke	Pluchino	Flemington, NJ
Junior	70	1	Nelson	Villafane	Taylor, PA
Junior	70	2	A J	Slominsky	Harrington Park, NJ
Junior	70	3	Parker	Full	Clarks Summit, PA
Junior	70	4	Jojo	Larocco	York, PA
Junior	70	5	Nicholas	Hoskin	Sicklerville, NJ
Junior	70	6	Liam	Arroyo	Passaic, NJ
Junior	70	7	Noah	Desmond	Wind Gap, PA
Junior	70	8	Salvatore	Maiorana	Muncy, PA
Junior	74	1	Marcarlo	Mannello	Hawthorne, NY
Junior	74	2	Zavier	Olver	Damascus, PA
Junior	74	3	Nolan	Hewitt	Bellwood, PA
Junior	74	4	Gabriel	Fisher	Jersey Shore, PA
Junior	74	5	Chris	Pulis	Brewerton, NY
Junior	74	6	Jeremy	McKinney	Souderton, PA

Junior	74	7	Ben	Jordan	Uniontown, OH
Junior	74	8	Gavin	Guy	Delhi, NY
Junior	78	1	Luca	Seramone	Bear, DE
Junior	78	2	James	Danko	Jefferson Hills, PA
Junior	78	3	Joey	Miller	Jersey Shore, PA
Junior	78	4	Bentley	Jackson	Shermans Dale, PA
Junior	78	5	James	Knox	Schwenksville, PA
Junior	78	6	Reese	Johnson	York, PA
Junior	78	7	Benjamin	Kamertz	Landenberg, PA
Junior	78	8	Devin	Barkmeyer	Norristown, PA
Junior	82	1	Vincenzo	Mannello	Hawthorne, NY
Junior	82	2	Braden	Boardman	Shippensburg, PA
Junior	82	3	Cole	Buffler	Pottstown, PA
Junior	82	4	David	Wehry	Ashland, PA
Junior	82	5	Kurt	Pellegrino	Point Pleasant, NJ
Junior	82	6	Drew	Telesky	Norwich, NY
Junior	82	7	Chase	Millan	Columbus, NJ
Junior	82	8	Lucas	Heffner	Street, MD
Junior	86	1	Johnny	Brattelli	Ashburn, VA
Junior	86	2	Camden	Olson	Munhall, PA
Junior	86	3	Colin	Hoopes	Turnersville, NJ
Junior	86	4	Jeremy	Jackson	Sicklerville, NJ
Junior	86	5	Kaden	Husich	Saxton, PA
Junior	86	6	Kaleb	Collae	Orangeville, PA
Junior	86	7	Kellan	Crowell	Egg Harbor Township, NJ
Junior	86	8	Tyhieme	Bell	Gettysburg, PA
Junior	91	1	Charlie	Dunbar	Downingtown, PA
Junior	91	2	Hunter	Ammerman	Blandburg, PA
Junior	91	3	Kaiden	Pomraning	Felton, PA
Junior	91	4	Parker	Humphrey	Pennington, NJ
Junior	91	5	Colin	Harter	Howard, PA
Junior	91	6	Ryan	Kowalczyk	Burlington, NJ
Junior	91	7	Joshua	Salvaterra	Dallas, PA
Junior	91	8	Keaton	Brokenshire	Millville, PA
Junior	98	1	Joshua	Wasnieski	Moon Twp, PA
Junior	98	2	Luke	Frankovits	Little Falls, NJ
Junior	98	3	Hunter	Watson	Columbia Cross Rds, PA
Junior	98	4	Braylon	Alicea	East Stroudsburg, PA
Junior	98	5	Brayden	Biggs	King George, VA
Junior	98	6	Noah	Beacom	Robinson, PA
Junior	98	7	Jacob	Lawrence	Stewartstown, PA
Junior	98	8	James	Hedrick	Augusta, WV
Junior	108	1	Anthony	Dalessio	Manasquan, NJ
Junior	108	2	Mahdi	Abdallah	Butler, NJ
Junior	108	3	Dometrius	Dorell	Milford, DE
Junior	108	4	Caleb	Brown	Chester, NY
Junior	108	5	Ben	Fortner	Glen Rock, PA
Junior	108	6	Gannon	Beach	Seven Valleys, PA
Junior	108	7	J P	May	Nazareth, PA
Junior	108	8	Michael	Schuda	Sicklerville, NJ
Junior	120	1	Tj	Krebs	Seven Valleys, PA
Junior	120	2	Collin	Havers	Youngsville, PA

Junior	120	3	Amir	Perry	Passaic, NJ
Junior	120	4	Arturo	Reyes	Mahanoy City, PA
Junior	120	5	Jake	Stubblefield	Warrenton, VA
Junior	120	6	Andrew	Kimball	Millington, MD
Junior	120	7	Anthony	Ramsey	New Castle, DE
Junior	120	8	Layne	Fleming	Shippensburg, PA
Junior	140	1	Mason	Hopkins	Whitehall, PA
Junior	140	2	Nolen	Baker	Oak Hill, VA
Junior	140	3	Kristian	Kohn	Pottstown, PA
Junior	140	4	Giovanni	Quiles	Norwich, CT
Junior	140	5	Gabe	Martin	Seven Valleys, PA
Junior	140	6	Nathan	Caufield	Lake Ariel, PA
Junior	140	7	Nace	Krysinski	Munhall, PA
Junior	140	8	Mason	Buchanan	Bainbridge, NY
Junior	166	1	Ezrah	Schonrog	Charlestown, RI
Junior	166	2	Daniel	Schadle	Pine Grove, PA
Junior	166	3	Noah	Teague	Milford, VA
Junior	166	4	Jordan	Henning	Scott Twp, PA
Junior	166	5	Knox	Dibert	Roaring Spring, PA
Junior	166	6	Evan	Tarantino	Greentown, PA
Junior	166	7	Caden	Carson	Herndon, PA
Junior	166	8	Blake	Reckart	Oakland, MD
Intermediate	75	1	Jamen	Haliburton	Middletown, DE
Intermediate	75	2	Forest	Rose	Princeton, NJ
Intermediate	75	3	Samuel	Floody	North Kingstown, RI
Intermediate	75	4	Casey	Pekula	Williamstown, NJ
Intermediate	75	5	David	Krantz	Pittston, PA
Intermediate	75	6	Dominic	Schuman	Honesdale, PA
Intermediate	75	7	Mason	Keesecker	Munhall, PA
Intermediate	75	8	Garrett	Bacorn	South Williamsport, PA
Intermediate	80	1	Eli	Oberheim	Montoursville, PA
Intermediate	80	2	Dakota	Sandy	Clarks Summit, PA
Intermediate	80	3	Nolan	Adolphson	Mauretown, VA
Intermediate	80	4	Chace	Armstrong	Coventry, RI
Intermediate	80	5	Jayden	Black	Ortanna, PA
Intermediate	80	6	Ty	Matthews	Martinsburg, PA
Intermediate	80	7	Richard	Maloney	Old Bridge, NJ
Intermediate	80	8	Peyton	Friedman	Veinna, VA
Intermediate	85	1	Alex	Marchetti	Waverly Twp, PA
Intermediate	85	2	Ryan	Morgan	Egg Harbor Township, NJ
Intermediate	85	3	Jordan	Piselli	Logan Station, PA
Intermediate	85	4	Hunter	Webster	New Hope, PA
Intermediate	85	5	Logan	Barry	Coventry, RI
Intermediate	85	6	Caleb	Schaffer	Bethel, PA
Intermediate	85	7	Camren	Martinez	Allentown, PA
Intermediate	85	8	Brandon	Lucia	Sewell, NJ
Intermediate	90	1	Austin	Guerrieri	Seaford, DE
Intermediate	90	2	C J	Caines	Hanover Township, PA
Intermediate	90	3	Layten	Bowersox	Milroy, PA
Intermediate	90	4	John	Segata	Langhorne, PA
Intermediate	90	5	Cole	Perrin	New Castle, DE
Intermediate	90	6	Landon	Wright	Mullica Hill, NJ

Intermediate	90	7	Bryson	Galofaro	Leesburg, VA
Intermediate	90	8	Jacob	Evans	Bellwood, PA
Intermediate	95	1	Gabe	Oberheim	Montoursville, PA
Intermediate	95	2	Caleb	Kosko	Albrightsville, PA
Intermediate	95	3	Dominic	Spennato	Wilmington, DE
Intermediate	95	4	Grady	Moore	Philadelphia, PA
Intermediate	95	5	Max	Berman	Huntingdon Valley, PA
Intermediate	95	6	Brogan	Lefever	Oneonta, NY
Intermediate	95	7	Quade	Cummings	Milford, DE
Intermediate	95	8	Van	Ferguson	Spring Grove, PA
Intermediate	100	1	Tristan	Rosemeyer	Turnersville, NJ
Intermediate	100	2	Andrew	Kapac	Benton, PA
Intermediate	100	3	Marie	Sharp	Ridgewood, NJ
Intermediate	100	4	Mason	Tanner	Port Byron, NY
Intermediate	100	5	Marek	Polcha	Loverpool, PA
Intermediate	100	6	Jackson	Polifka	Greencastle, PA
Intermediate	100	7	Brayden	Laird	Holmes, PA
Intermediate	100	8	Liam	Lin	Garnerville, NY
Intermediate	105	1	Maverick	Beckwith	Plymouth, NY
Intermediate	105	2	Micah	Engelman	Mountain Top, PA
Intermediate	105	3	Caleb	Thompson	Wytheville, VA
Intermediate	105	4	Gavin	Young	Old Bridge, NJ
Intermediate	105	5	Keaghan	Hewitt	Manchester, PA
Intermediate	105	6	William	Cruz	Paulsboro, NJ
Intermediate	105	7	Cole	DeAngelo	Keansburg, NJ
Intermediate	105	8	Lucas	Gandy	Elsinboro, NJ
Intermediate	110	1	Delvan	Rotte	Passaic, NJ
Intermediate	110	2	Mason	Comegys	Bel Aire, MD
Intermediate	110	3	Thomas	Oswald	Hummelstown, PA
Intermediate	110	4	Kade	Mustin	Greene, NY
Intermediate	110	5	Rhylee	Stotler	Waverly, NY
Intermediate	110	6	Zack	Lombreglia	Newton, NJ
Intermediate	110	7	Brayden	Giovinco	Phoenixville, PA
Intermediate	110	8	Travis	White	Binghamton, NY
Intermediate	115	1	Robert	Rodriguez	North Bergen, NJ
Intermediate	115	2	Elijah	Brown	Chester, NY
Intermediate	115	3	Jarrold	Blunt	Bethlehem, PA
Intermediate	115	4	Christopher	Kelesidis	Oakhurst, NJ
Intermediate	115	5	Anthony	Pineda	Egg Harbor Township, NJ
Intermediate	115	6	Tanner	Ammerman	Blandburg, PA
Intermediate	115	7	Nicholas	Papiro	Bear, DE
Intermediate	115	8	Kowen	Proctor	Ashburn, VA
Intermediate	120	1	Jazick	Brown	Towanda, PA
Intermediate	120	2	Justin	Marcello	Bordentown, NJ
Intermediate	120	3	Ethan	De La Cruz	Dunellen, NJ
Intermediate	120	4	Justin	Somers	Walton, PA
Intermediate	120	5	Anthony	Barrett	Caldwell, NJ
Intermediate	120	6	Weston	Emmons	Glenshaw, PA
Intermediate	120	7	Tino	Sianni	Bear, DE
Intermediate	120	8	Tristan	Ziobro	Manalapan, NJ
Intermediate	128	1	Landyn	Shaffer	Hancock, NY
Intermediate	128	2	Carter	Soto	Glenmoore, PA

Intermediate	128	3	Jake	Volek	Oakhurst, NJ
Intermediate	128	4	Richard	Garden	Cape May Court House, NJ
Intermediate	128	5	Lane	Metcalf	Keyser, WV
Intermediate	128	6	Kertis	West	Coal City, WV
Intermediate	128	7	Bam	Cordel	New Castle, PA
Intermediate	128	8	Collin	Wood	Cochranville, PA
Intermediate	136	1	Dominic	Volek	Oakhurst, NJ
Intermediate	136	2	Gavin	Morcom	Waymart, PA
Intermediate	136	3	Xxavior	Pabon	Pittston, PA
Intermediate	136	4	Cole	Trzeciak	Lansdale, PA
Intermediate	136	5	Connor	Messner	Denver, PA
Intermediate	136	6	Mason	Frederick	Bernville, PA
Intermediate	136	7	William	Illingworth	Phoenixville, PA
Intermediate	136	8	William	Graham II	Mt Ephraim, NJ
Intermediate	150	1	Brayden	Fabuien	Townsend, DE
Intermediate	150	2	Duke	Martin	Honesdale, PA
Intermediate	150	3	Michael	Stead	Royersford, PA
Intermediate	150	4	Cayden	Oseen	Biglerville, PA
Intermediate	150	5	Cj	Toth	Schnecksville, PA
Intermediate	150	6	Nicky	Negron Jr	York, PA
Intermediate	150	7	Ethan	Reinard	Womelsdorf, PA
Intermediate	150	8	Landon	Moser	Mifflinburg, PA
Intermediate	175	1	Logan	Reed	Montoursville, PA
Intermediate	175	2	Riley	Miller	Hampstead, MD
Intermediate	175	3	David	Clayton	Quakertown, PA
Intermediate	175	4	Kenyon	Davidson	Johnson City, NY
Intermediate	175	5	Ralphie	Barca	North Haledon, NJ
Intermediate	175	6	Gerald	Griffith	Boonsboro, MD
Intermediate	175	7	Blair	Miller	East Freedom, PA
Intermediate	175	8	Alexander	Duzenski	Langhorne, PA
Intermediate	220	1	Cameron	Allis	Towanda, PA
Intermediate	220	2	Charlie	Robb	Morgantown, WV
Intermediate	220	3	Vicktor	Lebron	Norristown, PA
Intermediate	220	4	Joshua	Smith	Carlisle, PA
Intermediate	220	5	Donte	Wrench	Greene, NY
Intermediate	220	6	Jason	Hinton	Silver Spring, MD
Intermediate	220	7	Trey	Parker	Conklin, NY
Intermediate	220	8	Christopher	Dugan	Gettysburg, PA
Advanced	93	1	Brighton	Karvoski	Sandy Hook, CT
Advanced	93	2	John	Winseman	Honeoye Falls, NY
Advanced	93	3	Sean	Morley	Lancaster, PA
Advanced	93	4	Brooks	Matthews	Martinsburg, PA
Advanced	93	5	Donavan	Evans	Manchester, PA
Advanced	93	6	Jaeczar	Evans	Rahway, NJ
Advanced	93	7	Vincent	DeSomma	Denville, NJ
Advanced	93	8	Coltyn	Wagner	Mifflinburg, PA
Advanced	100	1	Dominick	Powell	Ft. Washington, PA
Advanced	100	2	Blake	Klipp	Harrisburg, PA
Advanced	100	3	Aaden	Schiefer	York, PA
Advanced	100	4	Ben	Donato	Dover, DE
Advanced	100	5	Nathaniel	Handy	Glenville, PA
Advanced	100	6	Keegan	Hersey	Chesapeake, VA

Advanced	100	7	Mason	Alexander	Stevensville, PA
Advanced	100	8	Paxton	Shawver	Lewistown, PA
Advanced	105	1	Abramm	Schaffer	Bethel, PA
Advanced	105	2	Willmont	Kai	Whitehall, PA
Advanced	105	3	Michael	Lamb	Haddonfield, NJ
Advanced	105	4	Tanner	Connelly	Basking Ridge, NJ
Advanced	105	5	Michael	Timpone	Mahwah, NJ
Advanced	105	6	Evan	Shepard	New Bloomfield, PA
Advanced	105	7	Dylan	Gappa	Quakertown, PA
Advanced	105	8	Joshua	Dobson	Anita, PA
Advanced	110	1	Tyler	Detwiler	Palmyra, PA
Advanced	110	2	Connor	LaGier	Montoursville, PA
Advanced	110	3	Greyson	Pettit	Pittsgrove, NJ
Advanced	110	4	Cole	Schisler	York Springs, PA
Advanced	110	5	Zane	Crouse	Greencastle, PA
Advanced	110	6	Seth	Crawford	Brunswick, MD
Advanced	110	7	Andrew	Bonita	Mahwah, NJ
Advanced	110	8	Carter	Hoffman	Dover, PA
Advanced	115	1	Caleb	Hummel	Philipsburg, PA
Advanced	115	2	Cayden	Farver	Manchester, MD
Advanced	115	3	Ashton	Kriss	Richland, PA
Advanced	115	4	Stephen	Korte	Albrightsville, PA
Advanced	115	5	Hunter	Elliot	Virginia Beach, VA
Advanced	115	7	Franco	Perri	Harrisburg, PA
Advanced	115	8	Reid	Ordower	Maplewood, NJ
Advanced	120	1	Justin	Jones	Locust Grove, VA
Advanced	120	2	Bryndin	Chamberla	Clearfield, PA
Advanced	120	3	Roman	Polcha	Liverpool, PA
Advanced	120	4	Zachary	Belverio	Clark, NJ
Advanced	120	5	Luke	Hitchcock	Harrisburg, PA
Advanced	120	6	Eric	Catenacci Jr	Plymouth Meeting, PA
Advanced	120	7	Kade	Pascoe	Whitehall, PA
Advanced	120	8	Adam	Haines	Aspinwall, PA
Advanced	125	1	Nicky	Pallitto	Kenilworth, NJ
Advanced	125	2	Christian	Hoopes	Turnersville, NJ
Advanced	125	3	Drew	Scherer	Boiling Springs, PA
Advanced	125	4	Daniel	Olivo	Old Tappan, NJ
Advanced	125	5	Nicholas	Moore	Camden-Wyoming, DE
Advanced	125	6	Marco	Loss	Newtown, PA
Advanced	125	7	Michael	Queen	Millersville, MD
Advanced	125	8	Simon	Zamudio	Hazletown, PA
Advanced	130	1	Beau	Schmidt	Pasedena, MD
Advanced	130	2	William	Sakoutis	Holmdel, NJ
Advanced	130	3	Nathan	Moore	Camden-Wyoming, DE
Advanced	130	4	Jordan	Rutan	Punxsutawney, PA
Advanced	130	5	Sowzrawca	Tsay	Wayne, NJ
Advanced	130	6	Christopher	Cropanese	East Windsor, NJ
Advanced	130	7	Ian	Longenberger	Dillsburg, PA
Advanced	130	8	Thomas	Schecnterly	Hunlock Creek, PA
Advanced	135	1	Matthew	Almedino	Dickson City, PA
Advanced	135	2	Dustin	Kerr	Pittsburgh, PA
Advanced	135	3	Zy	McCain Murray	Columbia, PA

Advanced	135	4	Christopher	Gaeng	Westminster, MD
Advanced	135	5	David	Grzenda	Peckville, PA
Advanced	135	6	Jerusalem	Howard	Dover, DE
Advanced	135	7	Rhys	Ferguson	Frederick, MD
Advanced	135	8	Giovanni	Patti	Audubon, NJ
Advanced	140	1	Waylan	Winseman	Lima, NY
Advanced	140	2	Hayden	Harvey	Trout Run, PA
Advanced	140	3	Justin	Fearon	Middletown, NJ
Advanced	140	4	Fernando	Avellan	Edison, NJ
Advanced	140	5	Nadav	Nafshi	Bryn Mawr, PA
Advanced	140	6	Matthew	McCann	Bound Brook, NJ
Advanced	140	7	Michael	Horn	Turnersville, NJ
Advanced	140	8	J D	Heiser	Gilbertsville, PA
Advanced	145	1	Jordan	Thompson	Bradford, PA
Advanced	145	2	James	Battulga	Stephenson, VA
Advanced	145	3	Wylan	Damon	York, PA
Advanced	145	4	Ewan	Olson	Munhall, PA
Advanced	145	5	Joe	Mahoney	New Fairfield, CT
Advanced	145	6	Jax	Obe	Rocky Hill, NJ
Advanced	145	7	Richie	Leslie	Archbald, PA
Advanced	145	8	Liam	Evanko	Wilks-Barre, PA
Advanced	152	1	Matthew	Di Eduardo	Bridgewater, NJ
Advanced	152	2	Vincent	Corso	Frederick, MD
Advanced	152	3	Eoghan	O'Hara	Rahway, NJ
Advanced	152	4	Stanley	Pete III	Delmar, DE
Advanced	152	5	Mason	Mordan	Hughsville, PA
Advanced	152	6	Michael	Schmit	Fawn Grove, PA
Advanced	152	7	Ryan	Solomon	Abington, PA
Advanced	152	8	Joshua	Allen	Warwick, MD
Advanced	160	1	Sam	Almedina	Dickson City, PA
Advanced	160	2	Matteo	Garcia	West Lawn, PA
Advanced	160	3	Konrad	Haugeto	Hopewell, NJ
Advanced	160	4	Matt	Gish	Cromwell, CT
Advanced	160	5	A J	Kuntz	Leonardtwn, MD
Advanced	160	6	Mason	Wydra	Harrisburg, PA
Advanced	160	7	Michael	Byrne	Culpeper, VA
Advanced	160	8	William	Capizzi	Little Falls, NJ
Advanced	171	1	Abdoul	Akala	Leola, PA
Advanced	171	2	Joseph	Geleta	Little Falls, NJ
Advanced	171	3	J J	Di Monte	New Market, MD
Advanced	171	4	Chase	Amspacher	Spring Grove, PA
Advanced	171	5	Troy	Ruffner	Bethel, PA
Advanced	171	6	Aiden	Ryan	Virginia Beach, VA
Advanced	171	7	Jorge	Moya	Schnecksville, PA
Advanced	171	8	Bradán	Bronson	Greensburg, PA
Advanced	189	1	Mason	Higley	Monroeton, PA
Advanced	189	2	Elbrus	Majagah	Wayne, NJ
Advanced	189	3	Anthony	Jackson	Sicklerville, NJ
Advanced	189	4	Aidan	Sterling	Jim Thorpe,
Advanced	189	5	Hunter	Lavigne	Horseheads, NY
Advanced	189	6	Jayden	Roop	Ansted, WV
Advanced	189	7	James	Hopkins	Whitehall, PA

Advanced	189	8	Teagan	Gratkowski	Smyrna, DE
Advanced	220	1	Kyle	DeSantos	Leesburg, VA
Advanced	220	2	Jamil	Morrow	Bowie, MD
Advanced	220	3	Adam	Mashfej	Wayne, NJ
Advanced	220	4	Nicholas	Ebrahimi	Berlin, CT
Advanced	220	5	Benjahmin	Wilcox	Woonsocket, RI
Advanced	220	6	Clifford	Dirkes	Ocean City, NJ
Advanced	220	7	Josiah	Rodriguez	East Stroudsburg, PA
Advanced	220	8	Brooks	Hendershol	Curwensville, PA
Advanced	285	1	Landon	Andrade	Sherburne, NY
Advanced	285	2	Daniel	Schiffert	Bethlehem, PA
Advanced	285	3	Connor	Hudak	Schwenksville, PA
Advanced	285	4	Gabriel	McCulloch	Bloomfield, NJ
Advanced	285	5	Nathanael	Obrzut	West Pittston, PA
Advanced	285	6	Frank	Barrientos	Chambersburg, PA
Advanced	285	7	Jason	Usow	York, PA
Advanced	285	8	Tye	Jashan	Vestal, NY
Elite	111	1	Malachi	Stratton	Frankford, DE
Elite	111	2	Jacob	Sombronski	Seward, PA
Elite	111	3	Ben	Fournier	Hebron, CT
Elite	111	4	Jackson	Hersh	Dresher, PA
Elite	111	5	James	Bonczewski	Hanover, PA
Elite	111	6	Blaise	Grippa	Hightstown, NJ
Elite	111	7	Anthony	Philpot	Leesburg, VA
Elite	111	8	Lorenzo	Demaio	Brodheads ville, PA
Elite	118	1	Josef	Garshnick	Armagh , PA
Elite	118	2	Tommy	Blankenship	Darlington, MD
Elite	118	3	Waylon	Rogers	Orange, VA
Elite	118	4	George	Leischner	Wrightsville, PA
Elite	118	5	Konner	Kerr	Gillett, PA
Elite	118	6	Caden	Ruben	Spencer, NY
Elite	118	7	Giovanni	DiBiagio	Easton, PA
Elite	118	8	Brody	Ruest	Waterford, CT
Elite	125	1	Dominic	Barrella	Ridgefield, CT
Elite	125	2	Jack	Darlington	Centre Hall, PA
Elite	125	3	Lucas	VanNostrand	Virginia Beach, VA
Elite	125	4	Chase	Shaner	Unityville, PA
Elite	125	5	Duncan	Stadler	Washington, DC
Elite	125	6	Damond	Pascoe	Whitehall, PA
Elite	125	7	Wyatt	Stranger	Monroeton, PA
Elite	125	8	Edward	Lauritsen	Saylorsburg, PA
Elite	130	1	Caleb	Hoffman	Luzerne, PA
Elite	130	2	Charlie	Arobone	Harleysville, PA
Elite	130	3	Lium	Garcia	Buckhannon, WV
Elite	130	4	Santino	Micci	Easton, PA
Elite	130	5	Keegan	Zeigler	Camp Hill, PA
Elite	130	6	Christian	Ford	West Grove, PA
Elite	130	7	Corey	Iannucci	Hillsborough, NJ
Elite	130	8	Ryan	Fisher	Mahanoy City, PA
Elite	135	1	Jackson	Maby	Susquehanna, PA
Elite	135	2	Jayden	Loveranes	Reston, VA
Elite	135	3	Corey	Fazekas	Elizabeth City, NC



Elite	135	4	Jerry	Dattoli	New Oxford, PA
Elite	135	5	Stephen	Exum	Forestville, MD
Elite	135	6	Kyle	Zeigler	Camp Hill, PA
Elite	135	7	Jonathan	Stone	Wyoming, PA
Elite	135	8	Luke	Magnotta	Roaring Brook Twp, PA
Elite	140	1	Trevor	Cortright	Binghamton, NY
Elite	140	2	Trevor	Copes	Frederica, DE
Elite	140	3	Lucas	Tirpak	Shavertown, PA
Elite	140	4	Victor	Petkov	Ridgefield, CT
Elite	140	5	Jayden	Rooney	Waynesboro, PA
Elite	140	6	Dominic	Terracciano	Keansburg, NJ
Elite	140	7	Liam	Farley	Waymart, PA
Elite	140	8	Kamden	Everly	Lewistown, PA
Elite	145	1	Richie	DeFulvio	Burlington Twp, NJ
Elite	145	2	Shane	Stankina	Gilbertsville, PA
Elite	145	3	Gavin	Bob	Canisteo, NY
Elite	145	4	Xander	Kirsch	Arcade, NY
Elite	145	5	Peyton	Hollis	Middletown, MD
Elite	145	6	Charles	Perrin	New Castle, DE
Elite	145	7	Brennan	McGrann	Phoenixville, PA
Elite	145	8	Gregory	Vasquez	Rockville, MD
Elite	152	1	Keagan	Judd	Stephens City, VA
Elite	152	2	Marcus	Gable	Philipsburg, PA
Elite	152	3	Jayden	Iznaga	Hawthorne, NJ
Elite	152	4	Jacob	Cunningham	McClure, PA
Elite	152	5	Adrien	Laboy	Cape May Court House, NJ
Elite	152	6	Blake	Boyer	Kennett Square, PA
Elite	152	7	Gabriel	Cortes	Fredericksburg, VA
Elite	152	8	Thomas	Bock	New Fairfield, CT
Elite	160	1	Travis	Green	Manchester, MD
Elite	160	2	Riley	Vanderpool	Towanda, PA
Elite	160	3	Ayden	Hunsinger	Wyalusing, PA
Elite	160	4	Greyson	Catlow-Sidler	Philadelphia, PA
Elite	160	5	Kyle	Jacobs	Staten Island, NY
Elite	160	6	Ryan	Flammer	Oakridge, NJ
Elite	160	7	Chase	Stephen	Klingerstown, PA
Elite	160	8	Elijah	Frame	Front Royal, VA
Elite	171	1	Noah	Hall	Remington, VA
Elite	171	2	Isaiah	Feeney	Dallastown, PA
Elite	171	3	Avery	Aurand	Lewistown, PA
Elite	171	4	Jackson	Kean	Fallsington, PA
Elite	171	5	Josh	Jordan	Uniontown, PA
Elite	171	6	Jacob	Ebaugh	Middletown, DE
Elite	171	7	Gavin	Gomes	Denville, NJ
Elite	171	8	Drayun	Roberts	East Hartford, CT
Elite	189	1	Carter	Chamberlain	Clearfield, PA
Elite	189	2	Landon	Jobber-Spence	Warrenton, VA
Elite	189	3	Frankie	Martino	Little Falls, NJ
Elite	189	4	Joseph	Rivas Jr	Ashley, PA
Elite	189	5	Evan	Letky	Pittsburgh, PA
Elite	189	6	Zakaria	Darwish	Franklin Lakes, NJ
Elite	189	7	Blaine	Plastino	New Providence, PA

Elite	189	8	Nathan	Kovalcik	Smiithsburg, MD
Elite	220	1	Diesel	Koser	Shippensburg, PA
Elite	220	2	Lucas	Ainbinder	Belford, NJ
Elite	220	3	Alex	Hoy	Myersville, MD
Elite	220	4	Chad	Beller Jr	Catasauqua, PA
Elite	220	5	Jordan	Curry	Milford, DE
Elite	220	6	Robert	Ranger	Hornell, NY
Elite	220	7	Luke	Matheis	Arcade, NY
Elite	220	8	Zack	Stromock	Venetia, PA
Elite	285	1	Braden	Ewing	Tyrone, PA
Elite	285	2	Eliedxander	Jaraquin	New Castle, DE
Elite	285	3	Stephen	Goodman	Wilmington, DE
Elite	285	4	Haiden	Inch	Mt Union, PA
Elite	285	5	Clay	Lawrence	Whiteford, MD
Elite	285	6	Dylan	Bledsoe	Chadds Ford, PA
Elite	285	7	Brody	Sager	Forked River, NJ
Elite	285	8	Hunter	Hauck	Dewart, PA
Open	125	1	Quantez	Watkins	Smyrna, DE
Open	125	2	Azmir	Ibrahim	Carlisle, PA
Open	125	3	Dom	Flatt	Quarryville, PA
Open	125	4	Zachary	Bryant	Thurmont, MD
Open	125	5	Tristyn	Bodie	Honesdale, PA
Open	125	6	Ryan	Payne	Salisbury, MD
Open	125	7	Bryson	Gingrich	Robesonia, PA
Open	125	8	Sam	Hoover	York, PA
Open	135	1	Jarrod	Garnett	Newark, DE
Open	135	2	Bryant	Lighty	Prospect Park, NJ
Open	135	3	David	White	Athens, PA
Open	135	4	Jack	Thode	Harrington, DE
Open	135	5	Brennan	Schisler	York Springs, PA
Open	135	6	Hunter	Green	Manchester, MD
Open	135	7	Isaac	Hernandez	Monticello, NY
Open	135	8	Owen	Breidegan	Fredericksburg, PA
Open	142	1	Brad	Cipriani	Pittsburgh, PA
Open	142	2	Tony	DeCato	West Haven, CT
Open	142	3	Chase	De Maille	Frederick, MD
Open	142	4	Isaac	Barber	Edgewater, MD
Open	142	5	Rashad	Stratton	Frankford, DE
Open	142	6	James	Higgins	Gloucester City, NJ
Open	142	7	C J	Morton	Lancaster, PA
Open	142	8	Justin	Darlington	Centre Hall, PA
Open	150	1	Michael	Foca	Hackensack, NJ
Open	150	2	Alexis	Soriano	Perth Amboy, NJ
Open	150	3	Anthony	Fisher	Hartkey, DE
Open	150	4	Ryan	Wilson	McVeytown, PA
Open	150	5	Grayson	Charles	New Providence, PA
Open	150	6	Chase	Daudelin	Corning, NY
Open	150	7	Chase	Listorti	Pasedena, MD
Open	150	8	Justin	McCloskey	Lock Haven, PA
Open	158	1	Brendon	Colbert	Hegerstown, MD
Open	158	2	Jackson	Erb	Langhorne, PA
Open	158	3	Isaiah	Brooks	Hagertown, MD

Open	158	4	Anthony	Romaniello	Flemington, NJ
Open	158	5	Aidan	Green	Addison, NY
Open	158	6	Russell	Davidson	Shippensburg, PA
Open	158	7	Colton	Chipeleski	Sugarloaf, PA
Open	158	8	Isaiah	Frame	Front Royal, VA
Open	167	1	Nicolas	Zamaloff	Wall, NJ
Open	167	2	Jake	Potter	Langhorne, PA
Open	167	3	Bret	Murphy	Beltsville, MD
Open	167	4	Cameron	Stevens	Hanover, PA
Open	167	5	Cameron	Ashby	Hagerstown, MD
Open	167	6	Brandon	Breidegan	Fredericksburg, PA
Open	167	7	Dan	Boring	Scottdale, PA
Open	167	8	Connor	Jones	Danville, PA
Open	177	1	Kade	Kravits	Wilks-Barre, PA
Open	177	2	Talon	Pisarchuk	Bensalem, PA
Open	177	3	Joey	Spear	Middletown, PA
Open	177	4	James	Eveland	Elkton, MD
Open	177	5	Kyle	Keefe	Bradford, PA
Open	177	6	John	Furgeson Jr	Damascus, MD
Open	177	7	Dylan	Hogan	Bushkill, PA
Open	177	8	Derek	Grafton	Ford City, PA
Open	190	1	Joe	Burch	Charlottesville, VA
Open	190	2	Alex	Wolfe	Carlisle, PA
Open	190	3	Ryder	Slayton	Canisteo, NY
Open	190	4	Angelo	Piazza	Glen Rock, NJ
Open	190	5	Joshua	Negron	Georgetown, DE
Open	190	6	Radio	Rickens	Gallitzin, PA
Open	190	7	Collin	Milko	Carnegie, PA
Open	190	8	Davis	Lee	Fairless Hills, PA
Open	220	1	Michael	Amaro	Clifton, NJ
Open	220	2	Bryan	DePhillip	Berlin, MD
Open	220	3	Gabriel	Kennedy-Citeroni	Blairsville, PA
Open	220	4	Trevor	Parrish	Kirkwood, NY
Open	220	5	Richie	Hizynski	Wilkes-Barre, PA
Open	220	6	Thomas	Provance	Connellsville, PA
Open	220	7	Dave	Alley	Morrisville, PA
Open	220	8	Neal	Rinker	New Oxford, PA
Open	295	1	Anthony	Rossi	Fairfax, VA
Open	295	2	Vincent	Walls	West Grove, PA
Open	295	3	Collin	Schildt	Baltimore, MD
Open	295	4	Dylan	Devine	Glen Burnie, MD
Open	295	5	Justin	Gomez	North Bergen, NJ
Open	295	6	Shannon	Core	Scranton, PA
Open	295	7	John	Cambra	Barnesville, PA
Open	295	8	Russel	Reed	Le Roy, NY

MD-MAWA Eastern Nationals  
Bantam Girls

41

RR Rnd 1

N-1 **Callie Brannon**  
Danville, PA  
BYE

E-2 **Sophia Callias**  
Tenafly, NJ  
W-1 **Harper Maney**  
Bellefonte, PA

E-1 **Avery Decker**  
Plainfield, CT  
S-2 **Triss Vest**  
Carlisle, PA

Callie Brannon  
1st

RR Rnd 2

H. Maney  
C. Brannon

S. Callias  
T. Vest

A. Decker  
BYE

Avery Decker  
2nd

RR Rnd 3

T. Vest  
C. Brannon

H. Maney  
BYE

S. Callias  
A. Decker

Harper Maney  
3rd

RR Rnd 4

A. Decker  
C. Brannon

T. Vest  
H. Maney

S. Callias  
BYE

Sophia Callias  
4th

RR Rnd 5

S. Callias  
C. Brannon

A. Decker  
H. Maney

T. Vest  
BYE

Triss Vest  
5th

MD-MAWA Eastern Nationals  
 Bantam Girls  
 46

RR Rnd 1

<u>N-1 <b>Scarlett McKeown</b></u> <i>Bear Creek, PA</i>	<b>3077</b> 4
---	------------------

N-1 **Scarlett McKeown**  
 F 0:37

<u>W-3 <b>Vanessa Snodgrass</b></u> <i>Bradford, PA</i>	<b>3078</b> 2
--	------------------

W-1 **Charae Gregula**  
 F 0:27

Charae Gregula  
 1st

RR Rnd 2

<u>C. Gregula</u>	<b>3230</b> 3
-------------------	------------------

C. Gregula  
 DEC 5-0

<u>V. Snodgrass</u>	<b>3231</b> 4
---------------------	------------------

J. Hardy  
 F 1:49

Scarlett McKeown  
 2nd

RR Rnd 3

<u>V. Snodgrass</u>	<b>3371</b> 13
---------------------	-------------------

S. McKeown  
 F 0:28

<u>C. Gregula</u>	<b>3372</b> 10
-------------------	-------------------

C. Gregula  
 F 0:14

Jolene Hardy  
 3rd

Vanessa Snodgrass  
 4th

N-1 **Tinley Brannon**

Danville, PA

BYE

T. Brannon

BYE

**3079**  
1

BYE

N-4 **Lakota Guffey**

Seilingsgrove, PA

BYE

J. Ewis

BYE

**3080**  
3

BYE

S-2 **Kinsley Kirwan**

Chestertown, MD

BYE

K. Kirwan

BYE

W-1 **Maya Houseknecht**

Montgomery, PA

BYE

M. Houseknecht

BYE

**3081**  
3

BYE

N-2 **Skylah Green**

Dallas, PA

BYE

S. Green

BYE

W-3 **Gracelyn Elliott**

Homer City, PA

**3011**  
2

G. Elliott

F 0:56

**3082**  
1

BYE

S-1 **Tyanna Evans**

Vineland, NJ

BYE

T. Evans

BYE

MD-MAWA Eastern Nationals

Bantam Girls

51

T. Brannon  
F 0:45

**3232**  
4

T. Brannon  
DEC 7-0

K. Kirwan  
F 0:39

**3233**  
1

T. Evans  
F 2:15

**3376**  
10

T. Brannon  
1st  
DEC 4-3

M. Houseknecht  
F 0:10

**3233**  
1

T. Evans  
F 0:24

BYE

BYE

BYE

BYE

BYE

BYE

BYE

BYE

BYE

BYE

BYE

BYE

BYE

BYE

BYE

BYE

BYE

BYE

L3082

L3081

L3080

L3080

L3079

L3079

L3323

L3324

L3234

L3235

L3235

L3235

L3235

L3235

L3235

L3235

L3235

L3235

L3235

L3235

G. Elliott

S. Green

J. Ewis

P. Hayward

L. Guffey

M. Houseknecht

M. Houseknecht

M. Houseknecht

L. Guffey

L. Guffey

L. Guffey

L. Guffey

L. Guffey

L. Guffey

L. Guffey

L. Guffey

L. Guffey

L. Guffey

L. Guffey

L. Guffey

BYE

BYE

BYE

BYE

BYE

BYE

BYE

BYE

BYE

BYE

BYE

BYE

BYE

BYE

BYE

BYE

BYE

BYE

BYE

BYE

**3234**  
5

**3323**  
3

**3235**  
3

**3189**  
4

**3374**  
5th

**3375**  
7th

**3374**  
3

**3324**  
3

**3375**  
13

**3374**  
3

**3375**  
13

**3374**  
3

**3375**  
13

**3374**  
3

**3375**  
13

**3374**  
3

**3375**  
13

**3374**  
3

**3375**  
13

S. Green  
F 2:43

L3232

J. Ewis  
F 0:39

J. Ewis  
F 0:39

L3233

L3323

L3323

L3233

L3233

L3233

L3233

L3233

L3233

L3233

L3233

L3233

L3233

L3233

L3233

K. Kirwan  
F 0:14

K. Kirwan  
3rd  
F 2:31

J. Ewis  
F 0:39

J. Ewis  
F 0:39

M. Houseknecht  
DEC 6-3

M. Houseknecht  
DEC 6-3

M. Houseknecht  
DEC 6-3

M. Houseknecht  
DEC 6-3

M. Houseknecht  
DEC 6-3

M. Houseknecht  
DEC 6-3

M. Houseknecht  
DEC 6-3

M. Houseknecht  
DEC 6-3

M. Houseknecht  
DEC 6-3

M. Houseknecht  
DEC 6-3

M. Houseknecht  
DEC 6-3

M. Houseknecht  
DEC 6-3

M. Houseknecht  
DEC 6-3

M. Houseknecht  
DEC 6-3

M. Houseknecht  
DEC 6-3

**3323**  
3

**3373**  
14

**3235**  
3

**3189**  
4

**3374**  
5th

**3375**  
7th

**3374**  
3

**3324**  
3

**3375**  
13

**3374**  
3

**3375**  
13

**3374**  
3

**3375**  
13

**3374**  
3

**3375**  
13

**3374**  
3

**3375**  
13

**3374**  
3

**3375**  
13

N-1 Savannah Troutman

Elizabethville, PA  
BYE

S. Troutman  
BYE

3236  
1

N-3 Princess-Maria Sledge

Endicott, NY  
W-2 Liliana Gaskill

3083  
4

L. Gaskill  
F 0:26

N-2 Layla Hillier

Montrose, PA  
E-1 Harper Neith

3084  
5

H. Neith  
F 0:30

Coopersburg, PA  
BYE

3237  
2

R. Brown  
BYE

W-1 Reagan Brown

Acme, PA

MD-MAWA Eastern Nationals

Bantam Girls

56

S. Troutman  
F 0:27  
3380  
13  
H. Neith  
1st  
F 0:44  
H. Neith  
DEC 3-1

BYE

L3083 P. Sledge  
BYE

P. Sledge  
BYE

3325  
4

R. Brown  
F 0:25

L3084 L. Hillier  
BYE

L3237 L. Hillier  
BYE

3326  
5

L. Gaskill  
F 0:57

3377  
14

R. Brown  
3rd  
F 0:27

L3325 P. Sledge  
F 0:25

3378  
9

L. Hillier  
5th  
TF 16-0 1:30

L3326 L. Hillier  
F 0:57

BYE

L3379  
BYE

BYE

MD-MAWA Eastern Nationals  
Bantam Girls  
61

RR Rnd 1

N-1 <b>Olivia Myers</b> <i>Muncy, PA</i>	<b>3085</b>	E-1 <b>Luci Tiankee</b>
E-1 <b>Luci Tiankee</b> <i>Belleville, NJ</i>	4	F 2:38

S-1 <b>Advika Bhaskaran</b> <i>Wilmington, DE</i>	<b>3086</b>	N-3 <b>Eden Slody</b>
N-3 <b>Eden Slody</b> <i>Springville, PA</i>	3	F 0:50

Luci Tiankee	1st
--------------	-----

RR Rnd 2

E. Slody	<b>3238</b>	O. Myers
O. Myers	4	F 0:27

A. Bhaskaran	<b>3239</b>	L. Tiankee
L. Tiankee	5	MD 9-0

Olivia Myers	2nd
--------------	-----

RR Rnd 3

A. Bhaskaran	<b>3381</b>	O. Myers
O. Myers	13	DEC 6-0

E. Slody	<b>3382</b>	L. Tiankee
L. Tiankee	9	F 0:26

Eden Slody	3rd
------------	-----

Advika Bhaskaran	4th
------------------	-----



MD-MAWA Eastern Nationals  
 Bantam Girls  
 66

RR Rnd 1

N-1 <b>Aria Parks</b> <i>Greene, NY</i>		N-1 <b>Aria Parks</b> BYE
BYE		

W-1 <b>Lucy Taber</b> <i>Steelton, PA</i>	<b>3087</b>	W-1 <b>Lucy Taber</b> DEC 9-5
S-1 <b>Adalynn Davis</b> <i>Galena, MD</i>	4	

Lucy Taber	1st
------------	-----

RR Rnd 2

A. Davis	<b>3240</b>	A. Davis F 1:38
A. Parks	2	

L. Taber		L. Taber BYE
BYE		

Adalynn Davis	2nd
---------------	-----

RR Rnd 3

L. Taber	<b>3383</b>	L. Taber DEC 10-8 SV
A. Parks	13	

A. Davis		A. Davis BYE
BYE		

Aria Parks	3rd
------------	-----

N-1 **Evelynn Wolfgram**

Tremont, PA  
BYE

E. Wolfgram  
BYE

MD-MAWA Eastern Nationals

Bantam Girls

86

W-2 **Savannah Proffitt**

Mc Clure, PA  
3088

M. Dunn  
F 0:51

3241  
4

M. Dunn  
F 1:23

S-1 **Maeve Dunn**

Fredericksburg, VA  
3

E-1 **Madison Sepelya**

Asbury, NJ  
3089

M. Sepelya  
DEC 4-2

3242  
1

P. Casto  
F 1:25

W-3 **Hayleigh Morder**

Huntingdon, PA  
BYE

P. Casto  
BYE

W-1 **Paisley Casto**

St. Marys, WV

P. Casto  
BYE

3387  
10

P. Casto  
1st  
F 2:36

BYE

L3088 S. Proffitt  
BYE

3327  
M. Sepelya 1  
DEC 3-2

L3089 H. Morder  
BYE

3384  
14  
H. Morder  
3rd  
F 2:00

L3241 E. Wolfgram  
BYE

3328  
H. Morder  
DEC 6-0

L3327 S. Proffitt  
DEC 3-2  
3385  
E. Wolfgram  
DEC 6-0

S. Proffitt  
5th  
F 1:25

BYE

L3386  
BYE

BYE

BYE

L3386  
BYE

BYE

MD-MAWA Eastern Nationals

Midget Girls

55

S-1. <b>Marley Dixon</b> DuBois, PA	3090	1	M. Dixon F 0:22	3243	3	M. Dixon DEC 7-0	3391 14 M. Dixon -1st MD 8-0
E-4. <b>Maevan Sola</b> Boyertown, PA							
N-2. <b>Makenzie Snee</b> Hallstead, PA	3091	3	I. Coryell DEC 4-2				
E-2. <b>Isla Coryell</b> Pottstown, PA							
W-1. <b>Zoey Eicher</b> Smithfield, PA	3092	2	Z. Eicher MD 14-0	3244	5	H. Pluchino DEC 16-13	
E-3. <b>Lorelei Decker</b> Plainfield, CT							
BYE							
E-1. <b>Honor Pluchino</b> Flemington, NJ			H. Pluchino BYE				

L3090	M. Sola	3245	2	M. Sola F 1:52	3329	4	Z. Eicher F 1:47	3388 10 Z. Eicher 3rd MD 8-0
L3091	M. Snee			L3244	Z. Eicher			
L3092	L. Decker			L. Decker				
	BYE			BYE	3330	5	I. Coryell DEC 4-2	
				L3243	I. Coryell			

L3329	M. Sola	3389	9	L. Decker 5th F 1:44
L3330	L. Decker			DEC 4-2

L3245	M. Snee	3390	7th	M. Snee BYE
	BYE			BYE

S-2. Allison Krantz

BYE	Newark, DE	A. Krantz	BYE
-----	------------	-----------	-----

W-5. Keesha Rhodes

BYE	Richwood, WV	3012	2	A. Krantz	F 1:29
-----	--------------	------	---	-----------	--------

N-4. Blakesley Howell

BYE	Chenango Forks, NY	3003	1	B. Howell	DEC 5-0
-----	--------------------	------	---	-----------	---------

E-3. Ivy McKinney

BYE	Souderton, PA	I. McKinney	BYE
-----	---------------	-------------	-----

BYE		3013	1	I. McKinney	DEC 6-0
-----	--	------	---	-------------	---------

W-2. Brielle Reed

BYE	Marysville, PA	B. Reed	BYE
-----	----------------	---------	-----

E-2. Mary Losee

BYE	Nazareth, PA	M. Losee	BYE
-----	--------------	----------	-----

N-6. Lyndsie Lark

BYE	West Pittston, PA	L. Lark	4	M. Losee	FOR
-----	-------------------	---------	---	----------	-----

W-3. Kara Shaffer

BYE	Rimersburg, PA	K. Shaffer	BYE
-----	----------------	------------	-----

BYE		3015	3	K. Shaffer	F 0:25
-----	--	------	---	------------	--------

N-1. Jocelyn Hack

BYE	Muncy, PA	J. Hack	BYE
-----	-----------	---------	-----

W-1. Mia Magagnotti

BYE	Punxsutawney, PA	M. Magagnotti	BYE
-----	------------------	---------------	-----

N-5. Angie Santiago

BYE	Johnson City, NY	A. Santiago	5	M. Magagnotti	F 1:25
-----	------------------	-------------	---	---------------	--------

N-3. Jae Swanick

BYE	Hawley, PA	J. Swanick	BYE
-----	------------	------------	-----

BYE		3017	3	J. Swanick	F 0:38
-----	--	------	---	------------	--------

S-3. Riley Jones

BYE	Cape May Court House, NJ	R. Jones	BYE
-----	--------------------------	----------	-----

N-2. Parker Hoover

BYE	Canton, PA	P. Hoover	BYE
-----	------------	-----------	-----

BYE		3018	5	P. Hoover	F 2:50
-----	--	------	---	-----------	--------

S-4. Jayda Heaton

BYE	Woodbine, NJ	J. Heaton	BYE
-----	--------------	-----------	-----

W-4. Madalynn Handy

BYE	Glennville, PA	M. Handy	BYE
-----	----------------	----------	-----

BYE		3019	4	A. Bradley	F 1:22
-----	--	------	---	------------	--------

E-1. Abigail Bradley

BYE	Franklin, NJ	A. Bradley	BYE
-----	--------------	------------	-----

BYE		3073	1	M. Handy	DEC 7-0
-----	--	------	---	----------	---------

BYE	L3019	3097	4	J. Heaton	F 0:59
-----	-------	------	---	-----------	--------

BYE	BYE	3190	4	J. Heaton	F 0:52
-----	-----	------	---	-----------	--------

BYE	L3018	3248	1	R. Jones	MD 10-0
-----	-------	------	---	----------	---------

BYE	BYE	3098	5	R. Jones	L3247
-----	-----	------	---	----------	-------

BYE	BYE	3191	3	R. Jones	DEC 13-7
-----	-----	------	---	----------	----------

BYE	L3016	3191	3	R. Jones	F 0:27
-----	-------	------	---	----------	--------

BYE	BYE	3099	3	J. Hack	FOR
-----	-----	------	---	---------	-----

BYE	L3015	3192	3	J. Hack	F 2:59
-----	-------	------	---	---------	--------

BYE	BYE	3249	3	J. Swanick	DEC 2-1
-----	-----	------	---	------------	---------

BYE	L3013	3100	2	B. Reed	L3246
-----	-------	------	---	---------	-------

BYE	BYE	3193	5	J. Swanick	F 1:00
-----	-----	------	---	------------	--------

BYE	L3012	3332	2	J. Swanick	F 0:27
-----	-------	------	---	------------	--------

L3331	P. Hoover	DEC 13	5th	3393	P. Hoover
-------	-----------	--------	-----	------	-----------

L3332	K. Shaffer	DEC 14	F 0:57	3393	K. Shaffer
-------	------------	--------	--------	------	------------

L3248	J. Heaton	MD 10-0	7th	3394	J. Hack
-------	-----------	---------	-----	------	---------

L3249	J. Hack	DEC 2-1	MD 10-2	3394	J. Hack
-------	---------	---------	---------	------	---------

3246	1	A. Krantz	DEC 1-0
3094	3	K. Shaffer	F 0:21
3095	1	M. Magagnotti	F 2:31
3247	4	M. Magagnotti	F 1:34
3395	9	M. Magagnotti	1st DEC 4-0
3392	13	J. Swanick	3rd F 0:59

S-1. <b>Avery Haber</b> Chestertown, MD	3020	1	A. Haber					
N-5. <b>Olivia Hunter</b> Sherburne, NY			F 0:30	3101	1	A. Haber		
N-3. <b>Amelia Spatzer</b> Easton, PA	3021	2	K. Houseknecht			TF 16-0 2:08		
W-2. <b>Kylie Houseknecht</b> Montgomery, PA			DEC 7-4				3250	4
E-2. <b>Madison Tomlinson</b> Bensalem, PA	3022	4	M. Tomlinson					F 0:59
S-3. <b>Bailey Fisher</b> Carlisle, PA			F 1:33	3102	3	M. Farberman		
S-4. <b>Ellie Fritts</b> Middletown, DE	3023	5	M. Farberman			DEC 8-6 SV		
N-1. <b>Madison Farberman</b> Bainbridge, NY			MD 15-1					3399
W-1. <b>Maddilyn Lewis</b> Warriors Mark, PA	3024	3	M. Lewis					10
E-4. <b>Ana Compo</b> Quakertown, PA			F 0:50	3103	4	M. Lewis		F 0:55
N-4. <b>Olivia Schug</b> Chittenango, NY	3025	3	D. Schlachter			F 2:22		
S-2. <b>Dani Schlachter</b> Petersburg, NJ			F 0:35				3251	5
N-2. <b>Afreea Wilson</b> Henryville, PA	3026	4	A. Wilson					DEC 5-2
S-3. <b>Nella Marie Murphy-Simms</b> Wyoming, DE			F 0:17	3104	1	E. Servis		
W-4. <b>Parker McCray</b> Williamstown, WV	3027	3	E. Servis			MD 10-0		
E-1. <b>Eliana Servis</b> Fair Lawn, NJ			DEC 7-3					

L3020 O. Hunter	3105	3	A. Spatzer					
L3021 A. Spatzer			F 1:00	3194	2	A. Spatzer		
			L3104 A. Wilson			F 1:52		
L3022 B. Fisher	3106	5	E. Fritts				3252	3
			DEC 7-3	3195	3	D. Schlachter		F 1:25
L3023 E. Fritts			D. Schlachter			F 0:44		3333
			L3103 D. Schlachter					DEC 6-1
L3024 A. Compo	3107	2	A. Compo					3396
			F 2:54	3196	2	M. Tomlinson		10
L3025 O. Schug			M. Tomlinson			DEC 6-4 SV		K. Houseknecht
			L3102 M. Tomlinson					3rd
L3026 N. Murphy-Simms	3108	5	P. McCray					DEC 4-0
			DEC 4-0	3197	1	K. Houseknecht		
L3027 P. McCray			K. Houseknecht			MD 12-0		
			L3101 K. Houseknecht					
								3334
						F 1:32		MD 9-0
						L3251 E. Servis		

L3333 M. Farberman	3397	14	M. Farberman					
			DEC 6-1					
L3334 E. Servis			MD 9-0					
			DEC 5-2					

L3252 A. Spatzer	3398	7th	A. Spatzer					
			F 1:25					
L3253 M. Tomlinson			DEC 4-0					
			F 1:32					

MD-MAWA Eastern Nationals

Midget Girls

75

S-1. <b>Kylee Walker</b> <i>, Md</i>	3109	4	E. Pittman			
W-4. <b>Evelyn Pittman</b> <i>Dover, PA</i>			F 0:11		3254	
E-2. <b>Kyra Bradley</b> <i>Franklin, NJ</i>	3110	3	P. Full		2	
N-1. <b>Piper Full</b> <i>Clarks Summit, PA</i>			MD 10-1			
W-1. <b>Jordyn Muhs</b> <i>Shippensburg, PA</i>	3111	1	C. Catania			
E-3. <b>Charlotte Catania</b> <i>Magnolia, NJ</i>			F 1:59		3255	
N-2. <b>Gabby O'Dell</b> <i>Dansville, NY</i>	3112	2	K. Cunningham		4	
E-1. <b>Keira Cunningham</b> <i>Sea Isle City, NJ</i>			F 1:12			
						3403 14
						K. Cunningham -1st DEC 9-7

L3109	K. Walker	3256	K. Bradley			
L3110	K. Bradley	5	F 0:14	3335	C. Catania	
				L3255	C. Catania	1
L3111	J. Muhs	3257	J. Muhs		3400	C. Catania
L3112	G. O'Dell	2	MD 10-0	3336	J. Muhs	13
				L3254	E. Pittman	4
						DEC 4-0
						DEC 2-0

L3335	K. Bradley	3401	K. Bradley			
			F 1:44			
L3336	E. Pittman	14	MD 9-0			
			DEC 4-0			

L3256	K. Walker	3402	G. O'Dell			
			F 0:14			
L3257	G. O'Dell	10	MD 10-0			

MD-MAWA Eastern Nationals

Midget Girls

84

S-1. <b>Mia Williams</b> Virginia Beach, VA	3113	5	M. Williams			
N-4. <b>Emerie Callan</b> Greene, NY			F 0:45		3258	
W-2. <b>Amelia Cobbs</b> Pittsburgh, PA	3114	1	A. Peterson		3	M. Williams MD 9-0
N-1. <b>Amelia Peterson</b> Mehoopany, PA			DEC 2-1			
W-1. <b>Abigail Neidig</b> York, PA	3115	4	A. Hillier			
N-2. <b>Alana Hillier</b> Montrose, PA			DEC 7-6		3259	
N-3. <b>Alivia Lannon</b> Palmyra, NY	3116	3	A. Lannon		1	A. Hillier F 0:55
E-1. <b>Eva Compo</b> Quakertown, PA			F 1:31			3407 10 M. Williams -1st F 0:47

L3113 E. Callan	3260	4	A. Cobbs			
L3114 A. Cobbs			DEC 5-2	3337	5	A. Cobbs
L3115 A. Neidig	3261	4	A. Neidig			
L3116 E. Compo			F 0:46	3338	4	A. Neidig 3rd MD 11-0
			L3258 A. Peterson			DEC 1-0

L3337 A. Lannon	3405	3	A. Peterson			
L3338 A. Peterson			DEC 4-0			5th F 1:54
			DEC 1-0			

L3260 E. Callan	3406	9	E. Compo			
L3261 E. Compo			F 0:46			7th DEC 8-6 SV

S-1. **Aisha Abdussamad**

Egg Harbor Township, NJ  
 A. Abdussamad  
 BYE

MD-MAWA Eastern Nationals

Midget Girls

93

E-3. **Gia Kiprislis**

Center valley, PA  
 3028 G. Kiprislis  
 W-2. **Libby Kirby** 4 F 2:43

E-2. **Addison Burke**

Kearny, NJ  
 A. Burke  
 BYE

BYE  
 B. Schaffer  
 BYE

N-1. **Brilyn Schaffer**

Bloomsburg, PA  
 L. Gardner  
 BYE

W-1. **Luella Gardner**  
 Hughesville, PA  
 BYE

BYE  
 S. Daniels  
 BYE

S-2. **Sophia Daniels**

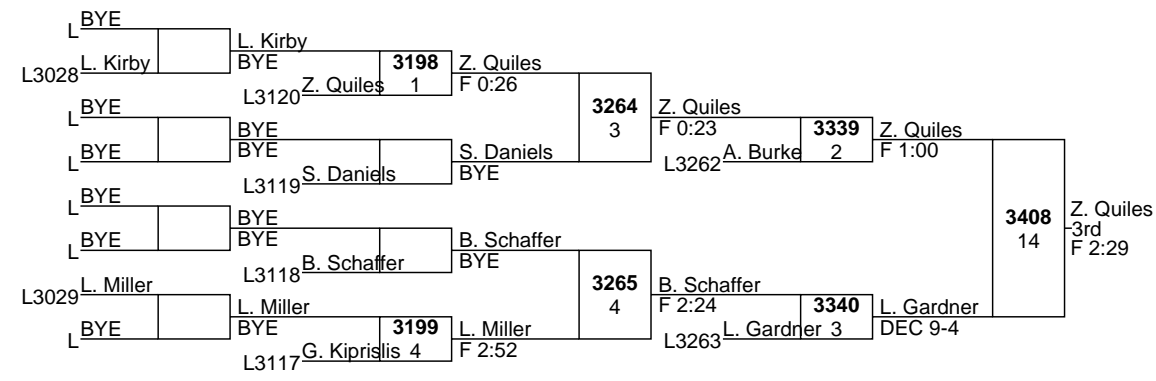
Milford, DE  
 W-3. **Laney Miller**  
 Imler, PA

S-3. **Grayson Richburg**  
 Baltimore, MD  
 BYE

BYE  
 Z. Quiles  
 BYE

E-1. **Zsofia Quiles**

Norwich, CT



L3339 A. Burke F 1:00 3409 B. Schaffer 5th DEC 5-4

L3340 B. Schaffer 3 DEC 9-4

L3264 S. Daniels F 0:23 3410 S. Daniels 7th DEC 7-5

L3265 L. Miller F 2:24 10



MD-MAWA Eastern Nationals  
Midget Girls  
103

RR Rnd 1

N-1. **Amelia Wright**  
*Chemung, NY*  
BYE

N-1. **Amelia Wright**  
BYE

E-1. **Peyton Segata**  
*Langhorne, PA*  
3004 3  
E-1. **Peyton Segata**  
TF 15-0 2:15

N-2. **Dakota Slody**  
*Springville, PA*

W-2. **Jazlynn Dale**  
*Oakland, MD*  
3005 5  
W-1. **Willow Reynolds**  
MD 17-4

W-1. **Willow Reynolds**  
*Montgomery, PA*

Willow Reynolds

1st

RR Rnd 2

D. Slody  
3030 1  
A. Wright  
MD 10-0

P. Segata  
3031 3  
W. Reynolds  
DEC 3-0

J. Dale  
BYE  
J. Dale  
BYE

Peyton Segata

2nd

RR Rnd 3

W. Reynolds  
3121 1  
W. Reynolds  
DEC 6-0

D. Slody  
BYE  
D. Slody  
BYE

P. Segata  
3122 4  
P. Segata  
F 0:48

Amelia Wright

3rd

RR Rnd 4

J. Dale  
3266 5  
A. Wright  
F 0:13

W. Reynolds  
3267 2  
W. Reynolds  
DEC 5-0

P. Segata  
BYE  
P. Segata  
BYE

Dakota Slody

4th

RR Rnd 5

P. Segata  
3412 10  
P. Segata  
MD 8-0

J. Dale  
3413 10  
D. Slody  
F 2:14

W. Reynolds  
BYE  
W. Reynolds  
BYE

Jazlynn Dale

5th

MD-MAWA Eastern Nationals  
Midget Girls  
134

RR Rnd 1

<u>N-1. Alexis Mott</u> <i>Masonville, NY</i>	<b>3123</b>	<u>E-1. Victoria Lu</u>
	2	F 1:49
<u>E-1. Victoria Lu</u> <i>Parsippany, NJ</i>		

<u>S-1. Morgana Dunn</u> <i>Fredericksburg, VA</i>	<b>3124</b>	<u>N-2. Alice Shaver</u>
	3	F 1:37
<u>N-2. Alice Shaver</u> <i>Nineveh, NY</i>		

<u>Victoria Lu</u>	1st
--------------------	-----

RR Rnd 2

<u>A. Shaver</u>	<b>3268</b>	<u>A. Mott</u>
	3	F 2:40
<u>A. Mott</u>		

<u>M. Dunn</u>	<b>3269</b>	<u>V. Lu</u>
	5	F 1:43
<u>V. Lu</u>		

<u>Alexis Mott</u>	2nd
--------------------	-----

RR Rnd 3

<u>M. Dunn</u>	<b>3414</b>	<u>A. Mott</u>
	14	F 1:00
<u>A. Mott</u>		

<u>A. Shaver</u>	<b>3415</b>	<u>V. Lu</u>
	13	F 1:37
<u>V. Lu</u>		

<u>Alice Shaver</u>	3rd
---------------------	-----

<u>Morgana Dunn</u>	4th
---------------------	-----

W-1 **McKenzie Astorino**

Curwensville, PA  
BYE

M. Astorino  
BYE  
**3270**  
1

N-2 **Malaina Comfort**

Williamsport, PA  
W-2 **Aunnika Imler**  
East Freedom, PA

**3125**  
5  
A. Imler  
DEC 12-8

S-1 **Aubrey Saunders**

Dundalk, MD  
N-3 **Trinity Lord**  
Great Bend, PA

**3126**  
1  
A. Saunders  
F 1:16

BYE  
N-1 **Cidney Schaffer**  
Dalton, PA

C. Schaffer  
BYE  
**3271**  
4

MD-MAWA Eastern Nationals

School Girls

70

M. Astorino  
F 1:03  
**3419**  
14  
M. Astorino  
1st  
DEC 7-5  
C. Schaffer  
F 2:35

BYE

L3125 M. Comfort  
BYE  
M. Comfort  
**3341**  
M. Comfort  
DEC 9-2

L3126 T. Lord  
BYE  
T. Lord  
**3342**  
A. Imler  
F 1:27

L3271 A. Saunders  
BYE  
A. Imler  
**3416**  
9  
A. Imler  
3rd  
F 1:15

L3341 A. Saunders  
DEC 9-2  
A. Saunders  
**3417**  
A. Saunders  
5th  
MD 16-4

L3342 T. Lord  
F 1:27  
13

BYE

L3418 BYE  
BYE  
**3418**  
BYE

RR Rnd 1

N-1 <b>Peyton Schneck</b> Emmaus, PA		N-1 <b>Peyton Schneck</b> BYE
BYE		

E-3 <b>Isabella Rogers</b> Feasterville, PA	<b>3006</b> 5	E-3 <b>Isabella Rogers</b> F 1:57
N-3 <b>Nora Harte</b> Danville, PA		

E-2 <b>Brynn Cunningham</b> Sea Isle City, NJ	<b>3007</b> 4	E-1 <b>Mackenzie Gappa</b> F 0:57
E-1 <b>Mackenzie Gappa</b> Quakertown, PA		

Mackenzie Gappa	1st
-----------------	-----

RR Rnd 2

N. Harte	<b>3032</b> 5	P. Schneck F 1:08
P. Schneck		

I. Rogers	<b>3033</b> 1	M. Gappa F 0:42
M. Gappa		

B. Cunningham		B. Cunningham BYE
BYE		

Isabella Rogers	2nd
-----------------	-----

RR Rnd 3

M. Gappa	<b>3127</b> 2	M. Gappa F 2:42
P. Schneck		

N. Harte		N. Harte BYE
BYE		

I. Rogers	<b>3128</b> 5	I. Rogers F 2:41
B. Cunningham		

Brynn Cunningham	3rd
------------------	-----

RR Rnd 4

B. Cunningham	<b>3272</b> 1	B. Cunningham MD 14-2
P. Schneck		

M. Gappa	<b>3273</b> 4	M. Gappa F 1:08
N. Harte		

I. Rogers		I. Rogers BYE
BYE		

Peyton Schneck	4th
----------------	-----

RR Rnd 5

I. Rogers	<b>3420</b> 10	I. Rogers MD 12-0
P. Schneck		

B. Cunningham	<b>3421</b> 14	B. Cunningham F 2:12
N. Harte		

M. Gappa		M. Gappa BYE
BYE		

Nora Harte	5th
------------	-----

E-1 **Stella Kramer**

Lawrenceville, NJ  
BYE

S. Kramer  
BYE

N-2 **Isabella Peterson**

Mehoopany, PA  
W-2 **Faith Gladfelter**

3129  
2

F. Gladfelter  
F 2:30

N-1 **Hawkins Nialah**

Binghamton, NY  
BYE

H. Nialah  
BYE

N-3 **Alexandria Hunter**

Sherburne, NY  
W-1 **Hadley Heaster**

3130  
1

H. Heaster  
F 0:33

Montgomery, PA

MD-MAWA Eastern Nationals

School Girls

86

L	BYE						
L3129	I. Peterson	I. Peterson	BYE	3343	H. Nialah		
L	BYE						
L3130	A. Hunter	A. Hunter	BYE	3344	S. Kramer		

L3343	I. Peterson	I. Peterson	F 0:41	3423		
L3344	A. Hunter	A. Hunter	F 0:27	10		

L	BYE				
L	BYE				
L	BYE				
L	BYE				

E-1 **Shannon Logue**

Malvern, PA S. Logue  
 BYE BYE **3131**  
 3

S-4 **Annessa Stutz**

Manchester, MD **3034** A. Stutz  
 N-3 **Kandice Noble** 2 F 0:00

Springville, PA  
 BYE

N-2 **Julia Ritter**

Muncy, PA J. Ritter  
 BYE BYE **3132**  
 4

S-1 **Elliana Juarez**

Lincoln University, DE  
 N-1 **Gianna Montegari** G. Montegari  
 Reading, PA BYE BYE **3133**  
 1

S-3 **Alexis Smith**

Dover, DE **3036** T. Shuman  
 E-3 **Teagan Shuman** 3 F 0:30

S-2 **Jannah ElBardicy**

Vienna, VA **3037** J. ElBardicy  
 N-4 **Alana Blanchard** 4 DEC 11-6

Guilford, NY  
 BYE **3134**  
 4

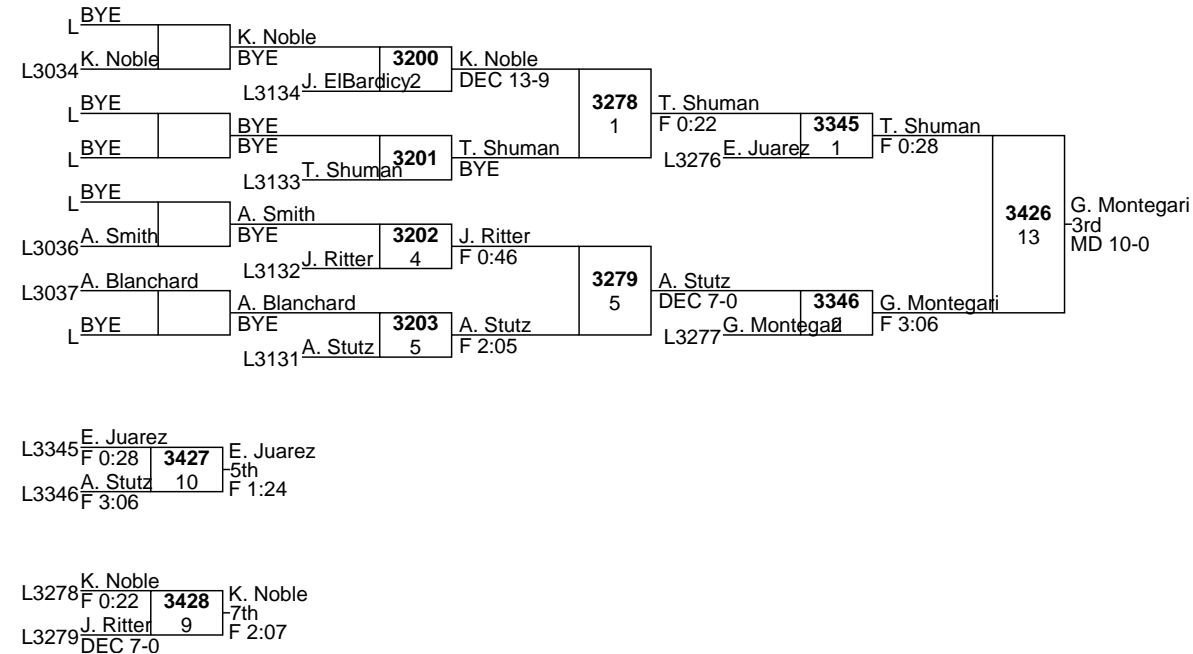
W-1 **Kaila Keesecker**

Munhall, PA K. Keesecker  
 BYE

MD-MAWA Eastern Nationals

School Girls

95



MD-MAWA Eastern Nationals

School Girls

105

E-1 <b>Holly Mckinney</b> Souderton, PA	BYE	H. Mckinney	BYE	3135 3	H. Mckinney DEC 2-0 SV			
W-4 <b>Jenna Houseknecht</b> Montgomery, PA	3038 5	J. Houseknecht	DEC 4-0			3280 3	K. Dayhoff DEC 3-0	
W-3 <b>Cassidy Carl</b> Elizabethtown, PA								
W-2 <b>Kaylee Dayhoff</b> New Bloomfield, PA	BYE	K. Dayhoff	BYE	3136 5	K. Dayhoff F 2:14			
S-1 <b>Juliet Chin</b> Silver Spring, MD		J. Chin	BYE					3433 10
N-1 <b>Isabella Phelps</b> Masonville, NY	BYE	I. Phelps	BYE	3137 2	I. Phelps F 4:24			I. Phelps 1st F 3:58
E-2 <b>Grey Henecker</b> Glen Rock, NJ		G. Henecker	BYE			3281 4	I. Phelps F 1:52	
N-2 <b>Sonia Munetz</b> Liverpool, NY	BYE	S. Munetz	BYE	3138 4	T. Kowalczk F 2:32			
W-1 <b>Trinity Kowalczk</b> Arendtsville, PA		T. Kowalczk	BYE					

L3038	BYE	C. Carl	BYE	3204 1	S. Munetz F 1:10			
	BYE	L3138	S. Munetz	3282 2	S. Munetz DEC 7-0	3347 8	S. Munetz DEC 7-0	
	BYE	BYE	G. Henecker		L3280	H. Mckinney		
	BYE	L3137	G. Henecker					3430 9
	BYE	BYE	J. Chin	3283 5	J. Chin DEC 4-0	3348 4	T. Kowalczk DEC 9-7	T. Kowalczk 3rd F 2:17
	BYE	L3136	J. Chin					
	BYE	BYE	J. Houseknecht		L3281	T. Kowalczk		
	BYE	L3135	J. Houseknecht					

L3347	H. Mckinney DEC 7-0	3431 5th	J. Chin	
L3348	J. Chin DEC 9-7	14	F 1:25	

L3282	G. Henecker DEC 7-0	3432 7th	G. Henecker	
L3283	J. Houseknecht DEC 4-0		DEC 4-0	

MD-MAWA Eastern Nationals

School Girls

115

E-1 Lucia Crossken

Coopersburg, PA 3039

L. Crossken

S-4 Samirah Abdussamad

Egg Harbor Township, NJ 2

F 2:36

W-3 Isabella Martinez

New Kensington, PA 3040

K. Trostle

N-3 Kylee Trostle

Richland, PA 4

F 0:14

W-2 Alexis Nicholas

Frederick, MD 3041

A. Nicholas

N-6 Lily Shaver

Nineveh, NY 3

F 5:17

BYE

S-1 Sophia Holmes

Clayton, NJ

S. Holmes

BYE

N-1 J C Allis

Towanda, PA

J. Allis

BYE

S-3 Allison Zarnowski

Lignum, VA 3042

A. Zarnowski

E-2 Kennedy Huddle

Allentown, PA 1

F 3:05

S-2 Madelyn Hartman

New Market, MD 3043

M. Hartman

W-4 Sabrina Fegley

Beavertown, PA 4

DEC 15-9

BYE

W-1 Rileigh Romberger

Smithsburg, MD

R. Romberger

BYE

3139 3

K. Trostle  
F 0:39

3284 4

K. Trostle  
MD 13-1

3140 4

A. Nicholas  
DEC 8-2

3437 10

J. Allis  
1st  
DEC 6-2

3141 2

J. Allis  
F 4:15

3285 3

J. Allis  
F 4:11

3142 3

R. Romberger  
F 0:49

L3039 S. Abdussamad

3143

S. Abdussamad

L3040 I. Martinez

1

DEC 8-1

3205

S. Abdussamad

L3041 L. Shaver

L3142

M. Hartman

3

MD 10-2

L3041 L. Shaver

BYE

L3141

A. Zarnowski

F 1:56

3286 4

A. Zarnowski  
DEC 5-1

3349

A. Nicholas  
MD 9-1

BYE

BYE

BYE

BYE

BYE

BYE

BYE

BYE

BYE

BYE

BYE

BYE

BYE

BYE

BYE

BYE

BYE

BYE

BYE

BYE

BYE

BYE

BYE

BYE

BYE

BYE

BYE

BYE

BYE

BYE

BYE

BYE

BYE

BYE

BYE

BYE

BYE

BYE

BYE

BYE

BYE

BYE

BYE

BYE

BYE

BYE

BYE

BYE

BYE

BYE

3287 1

S. Holmes  
F 1:20

3350

R. Romberger  
F 3:48

3287 1

S. Holmes  
F 0:52

3434 13

R. Romberger  
3rd  
DEC 4-2 SV

L3349 A. Zarnowski

MD 9-1

3435

A. Zarnowski

L3350 S. Holmes

10

5th

F 2:56

F 3:48

F 3:48

F 3:48

F 3:48

F 3:48

F 3:48

F 3:48

F 3:48

F 3:48

F 3:48

F 3:48

F 3:48

F 3:48

F 3:48

F 3:48

F 3:48

F 3:48

F 3:48

F 3:48

F 3:48

F 3:48

F 3:48

F 3:48

F 3:48

F 3:48

F 3:48

F 3:48

F 3:48

F 3:48

F 3:48

F 3:48

F 3:48

F 3:48

F 3:48

F 3:48





MD-MAWA Eastern Nationals

School Girls

170

E-1 Denise Valencia

Stratford, NJ	D. Valencia			
BYE	BYE			

N-5 Amelia Reed

Millport, NY	M. Miller	3150	5	M. Miller MD 11-0
--------------	-----------	------	---	-------------------

N-3 Maddison Miller

Beach Lake, PA	M. Miller	3050	5	F 0:38
----------------	-----------	------	---	--------

W-2 Georgina Leet

Montgomery, PA	G. Leet	3051	1	F 1:10
----------------	---------	------	---	--------

N-4 Keilanna Dickson

Johnson City, NY	K. Nelson	3151	3	F 0:45
------------------	-----------	------	---	--------

BYE

N-1 Kyah Nelson

Barton, NY	K. Nelson			
BYE	BYE			

S-1 Kelynn Dunn

Fredericksburg, VA	K. Dunn			
BYE	BYE			

N-6 Gwendolynn Whitenight

Berwick, PA	A. Soto	3052	2	F 2:24
-------------	---------	------	---	--------

E-2 Ariana Soto

Montvale, NJ	A. Soto	3052	4	F 0:08
--------------	---------	------	---	--------

N-2 Kirsten Grubbs

Northumberland, PA	K. Grubbs			
BYE	BYE			

BYE

W-1 Shya Dinsmore

Chambersburg, PA	S. Dinsmore			
BYE	BYE			

BYE

L3050	A. Reed			
	BYE			

L3051	K. Dickson	L3153	S. Dinsmore	3213	A. Reed	F 0:37
-------	------------	-------	-------------	------	---------	--------

	K. Dickson					
	BYE					

	L3152	A. Soto	3214	1	A. Soto	F 1:25
--	-------	---------	------	---	---------	--------

L3052	G. Whitenight	G. Whitenight				
	BYE					

	L3151	G. Leet	3215	4	G. Leet	F 0:49
--	-------	---------	------	---	---------	--------

	BYE					
	BYE					

	L3150	D. Valencia				
	BYE					

	L3295	G. Leet	3295	1	G. Leet	F 2:27
--	-------	---------	------	---	---------	--------

	L3293	K. Grubbs	3354		G. Leet	FOR
--	-------	-----------	------	--	---------	-----

L3353	A. Soto					
	F 1:08					

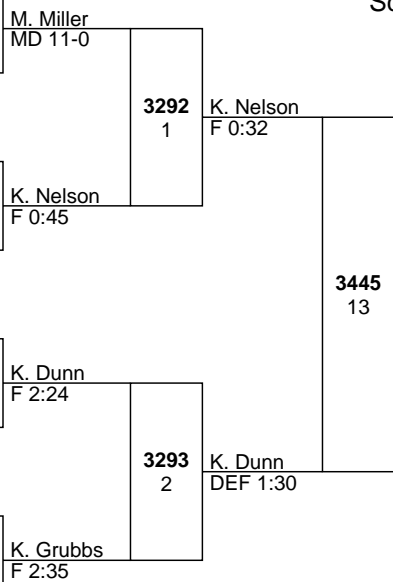
L3354	K. Grubbs	3443			A. Soto	5th FOR
-------	-----------	------	--	--	---------	---------

	FOR					
--	-----	--	--	--	--	--

L3294	A. Reed					
	F 2:05					

L3295	D. Valencia	3444			D. Valencia	7th FOR
-------	-------------	------	--	--	-------------	---------

	F 2:27					
--	--------	--	--	--	--	--



K. Nelson  
1st  
F 1:19

M. Miller  
3rd  
DEC 8-6

MD-MAWA Eastern Nationals

Midget Girls

55

S-1. <b>Marley Dixon</b> DuBois, PA	3090	1	M. Dixon F 0:22				
E-4. <b>Maevan Sola</b> Boyertown, PA				3243	3	M. Dixon DEC 7-0	
N-2. <b>Makenzie Snee</b> Hallstead, PA	3091	3	I. Coryell DEC 4-2				
E-2. <b>Isla Coryell</b> Pottstown, PA							3391 14
W-1. <b>Zoey Eicher</b> Smithfield, PA	3092	2	Z. Eicher MD 14-0				M. Dixon -1st MD 8-0
E-3. <b>Lorelei Decker</b> Plainfield, CT				3244	5	H. Pluchino DEC 16-13	
BYE							
E-1. <b>Honor Pluchino</b> Flemington, NJ			H. Pluchino BYE				

L3090	M. Sola	3245	2	M. Sola F 1:52	3329	4	Z. Eicher F 1:47	
L3091	M. Snee							
L3092	L. Decker			L3244	Z. Eicher			3388 10
	BYE							Z. Eicher 3rd MD 8-0
				L3243	I. Coryell	5	I. Coryell DEC 4-2	

L3329	M. Sola	3389	9	L. Decker 5th F 1:44			
L3330	L. Decker						

L3245	M. Snee	3390		M. Snee 7th BYE			

S-2. Allison Krantz

BYE	Newark, DE	A. Krantz	BYE
-----	------------	-----------	-----

W-5. Keesha Rhodes

BYE	Richwood, WV	3012	2	A. Krantz	F 1:29
-----	--------------	------	---	-----------	--------

N-4. Blakesley Howell

BYE	Chenango Forks, NY	3003	1	B. Howell	DEC 5-0
-----	--------------------	------	---	-----------	---------

E-3. Ivy McKinney

BYE	Souderton, PA	I. McKinney	BYE
-----	---------------	-------------	-----

BYE		3013	1	I. McKinney	DEC 6-0
-----	--	------	---	-------------	---------

W-2. Brielle Reed

BYE	Marysville, PA	B. Reed	BYE
-----	----------------	---------	-----

E-2. Mary Losee

BYE	Nazareth, PA	M. Losee	BYE
-----	--------------	----------	-----

N-6. Lyndsie Lark

BYE	West Pittston, PA	L. Lark	4	M. Losee	FOR
-----	-------------------	---------	---	----------	-----

W-3. Kara Shaffer

BYE	Rimersburg, PA	K. Shaffer	BYE
-----	----------------	------------	-----

BYE		3015	3	K. Shaffer	F 0:25
-----	--	------	---	------------	--------

N-1. Jocelyn Hack

BYE	Muncy, PA	J. Hack	BYE
-----	-----------	---------	-----

W-1. Mia Magagnotti

BYE	Punxsutawney, PA	M. Magagnotti	BYE
-----	------------------	---------------	-----

N-5. Angie Santiago

BYE	Johnson City, NY	A. Santiago	5	M. Magagnotti	F 1:25
-----	------------------	-------------	---	---------------	--------

N-3. Jae Swanick

BYE	Hawley, PA	J. Swanick	BYE
-----	------------	------------	-----

BYE		3017	3	J. Swanick	F 0:38
-----	--	------	---	------------	--------

S-3. Riley Jones

BYE	Cape May Court House, NJ	R. Jones	BYE
-----	--------------------------	----------	-----

N-2. Parker Hoover

BYE	Canton, PA	P. Hoover	BYE
-----	------------	-----------	-----

BYE		3018	5	P. Hoover	F 2:50
-----	--	------	---	-----------	--------

S-4. Jayda Heaton

BYE	Woodbine, NJ	J. Heaton	BYE
-----	--------------	-----------	-----

W-4. Madalynn Handy

BYE	Glenville, PA	M. Handy	BYE
-----	---------------	----------	-----

BYE		3019	4	A. Bradley	F 1:22
-----	--	------	---	------------	--------

E-1. Abigail Bradley

BYE	Franklin, NJ	A. Bradley	BYE
-----	--------------	------------	-----

BYE		3073	1	M. Handy	DEC 7-0
-----	--	------	---	----------	---------

BYE		3097	4	J. Heaton	F 0:59
-----	--	------	---	-----------	--------

BYE		3190	4	J. Heaton	F 0:52
-----	--	------	---	-----------	--------

BYE		3248	1	R. Jones	MD 10-0
-----	--	------	---	----------	---------

BYE		3098	5	R. Jones	F 0:15
-----	--	------	---	----------	--------

BYE		3191	3	R. Jones	F 0:27
-----	--	------	---	----------	--------

BYE		3331	3	R. Jones	DEC 13-7
-----	--	------	---	----------	----------

BYE		3099		J. Hack	FOR
-----	--	------	--	---------	-----

BYE		3192	3	J. Hack	F 2:59
-----	--	------	---	---------	--------

BYE		3249	3	J. Swanick	DEC 2-1
-----	--	------	---	------------	---------

BYE		3100	2	B. Reed	F 2:54
-----	--	------	---	---------	--------

BYE		3193	5	J. Swanick	F 1:00
-----	--	------	---	------------	--------

BYE		3332	2	J. Swanick	F 0:27
-----	--	------	---	------------	--------

BYE		3393	5th	P. Hoover	F 0:57
-----	--	------	-----	-----------	--------

BYE		3394	9	J. Hack	MD 10-0
-----	--	------	---	---------	---------

BYE		3392	13	J. Swanick	3rd F 0:59
-----	--	------	----	------------	------------

BYE		3395	9	M. Magagnotti	1st DEC 4-0
-----	--	------	---	---------------	-------------

BYE		3246	1	A. Krantz	DEC 1-0
-----	--	------	---	-----------	---------

BYE		3247	4	M. Magagnotti	F 1:34
-----	--	------	---	---------------	--------

BYE		3094	3	K. Shaffer	F 0:21
-----	--	------	---	------------	--------

BYE		3095	1	M. Magagnotti	F 2:31
-----	--	------	---	---------------	--------

BYE		3096	2	P. Hoover	F 1:28
-----	--	------	---	-----------	--------

MD-MAWA Eastern Nationals

Midget Girls

S-1. <b>Avery Haber</b> Chestertown, MD	3020	1	A. Haber					
N-5. <b>Olivia Hunter</b> Sherburne, NY			F 0:30	3101	1	A. Haber		
N-3. <b>Amelia Spatzer</b> Easton, PA	3021	2	K. Houseknecht			TF 16-0 2:08	3250	4
W-2. <b>Kylie Houseknecht</b> Montgomery, PA			DEC 7-4					
E-2. <b>Madison Tomlinson</b> Bensalem, PA	3022	4	M. Tomlinson					
S-3. <b>Bailey Fisher</b> Carlisle, PA			F 1:33	3102	3	M. Farberman		
S-4. <b>Ellie Fritts</b> Middletown, DE	3023	5	M. Farberman			DEC 8-6 SV		
N-1. <b>Madison Farberman</b> Bainbridge, NY			MD 15-1					
W-1. <b>Maddilyn Lewis</b> Warriors Mark, PA	3024	3	M. Lewis					
E-4. <b>Ana Compo</b> Quakertown, PA			F 0:50	3103	4	M. Lewis		
N-4. <b>Olivia Schug</b> Chittenango, NY	3025	3	D. Schlachter			F 2:22		
S-2. <b>Dani Schlachter</b> Petersburg, NJ			F 0:35				3251	5
N-2. <b>Afreea Wilson</b> Henryville, PA	3026	4	A. Wilson					
S-3. <b>Nella Marie Murphy-Simms</b> Wyoming, DE			F 0:17	3104	1	E. Servis		
W-4. <b>Parker McCray</b> Williamstown, WV	3027	3	E. Servis			MD 10-0		
E-1. <b>Eliana Servis</b> Fair Lawn, NJ			DEC 7-3					

3399 10 A. Haber 1st F 0:55

L3020 O. Hunter	3105	A. Spatzer						
L3021 A. Spatzer 3		F 1:00	3194	2	A. Spatzer			
L3022 B. Fisher		L3104 A. Wilson			F 1:52			
L3023 E. Fritts 5	3106	E. Fritts			DEC 7-3	3195	3	D. Schlachter
L3024 A. Compo		L3103 D. Schlachter			F 0:44			
L3025 O. Schug 2	3107	A. Compo			F 2:54	3196	1	M. Tomlinson
L3026 N. Murphy-Simms		L3102 M. Tomlinson			DEC 6-4 SV			
L3027 P. McCray 5	3108	P. McCray			DEC 4-0	3197	1	K. Houseknecht
		L3101 K. Houseknecht			MD 12-0			

3333 D. Schlachter DEC 6-1

3396 10 K. Houseknecht 3rd DEC 4-0

L3333 M. Farberman		DEC 6-1	3397	5th	M. Farberman			
L3334 E. Servis 14		MD 9-0			DEC 5-2			

L3252 A. Spatzer		F 1:25	3398	7th	A. Spatzer			
L3253 M. Tomlinson		F 1:32			DEC 4-0			

MD-MAWA Eastern Nationals

Midget Girls

75

S-1. <b>Kylee Walker</b> <i>, Md</i>	3109	4	E. Pittman			
W-4. <b>Evelyn Pittman</b> <i>Dover, PA</i>			F 0:11	3254	2	P. Full MD 12-0
E-2. <b>Kyra Bradley</b> <i>Franklin, NJ</i>	3110	3	P. Full			3403 14 K. Cunningham -1st DEC 9-7
N-1. <b>Piper Full</b> <i>Clarks Summit, PA</i>			MD 10-1			
W-1. <b>Jordyn Muhs</b> <i>Shippensburg, PA</i>	3111	1	C. Catania			
E-3. <b>Charlotte Catania</b> <i>Magnolia, NJ</i>			F 1:59	3255	4	K. Cunningham F 1:36
N-2. <b>Gabby O'Dell</b> <i>Dansville, NY</i>	3112	2	K. Cunningham			
E-1. <b>Keira Cunningham</b> <i>Sea Isle City, NJ</i>			F 1:12			

L3109	K. Walker	3256	K. Bradley			
L3110	K. Bradley	5	F 0:14	3335	1	C. Catania F 1:44
L3111	J. Muhs	3257	J. Muhs			3400 13 C. Catania 3rd DEC 2-0
L3112	G. O'Dell	2	MD 10-0	3336	4	
			L3254	E. Pittman	4	

L3335	K. Bradley	F 1:44	3401	K. Bradley	
L3336	E. Pittman	14	DEC 4-0	5th MD 9-0	

L3256	K. Walker	F 0:14	3402	G. O'Dell	
L3257	G. O'Dell	10	MD 10-0	7th F 0:28	

MD-MAWA Eastern Nationals

Midget Girls

84

S-1. <b>Mia Williams</b> Virginia Beach, VA	3113	5	M. Williams			
N-4. <b>Emerie Callan</b> Greene, NY			F 0:45		3258	
W-2. <b>Amelia Cobbs</b> Pittsburgh, PA	3114	1	A. Peterson	DEC 2-1	3	M. Williams MD 9-0
N-1. <b>Amelia Peterson</b> Mehoopany, PA						
W-1. <b>Abigail Neidig</b> York, PA	3115	4	A. Hillier	DEC 7-6		
N-2. <b>Alana Hillier</b> Montrose, PA					3259	
N-3. <b>Alivia Lannon</b> Palmyra, NY	3116	3	A. Lannon	F 1:31	1	A. Hillier F 0:55
E-1. <b>Eva Compo</b> Quakertown, PA						3407 10 M. Williams -1st F 0:47

L3113	E. Callan	3260	A. Cobbs	DEC 5-2	3337	A. Cobbs	
L3114	A. Cobbs	4			5		
L3115	A. Neidig	3261	A. Neidig	F 0:46	3338	A. Neidig	
L3116	E. Compo	4			4		
			L3258	A. Peterson	4		A. Neidig 3rd MD 11-0

L3337	A. Lannon	DEC 4-0	3405	A. Peterson	5th	
L3338	A. Peterson	3		F 1:54		

L3260	E. Callan	DEC 5-2	3406	E. Compo	7th	
L3261	E. Compo	9		F 0:46		DEC 8-6 SV

S-1. **Aisha Abdussamad**

Egg Harbor Township, NJ  
 A. Abdussamad  
 BYE

MD-MAWA Eastern Nationals

Midget Girls

93

E-3. **Gia Kiprislis**

Center valley, PA  
 3028 G. Kiprislis  
 W-2. **Libby Kirby** 4 F 2:43

E-2. **Addison Burke**

Kearny, NJ  
 A. Burke  
 BYE

BYE

N-1. **Brilyn Schaffer**

Bloomsburg, PA  
 B. Schaffer  
 BYE

W-1. **Luella Gardner**

Hughesville, PA  
 L. Gardner  
 BYE

S-2. **Sophia Daniels**

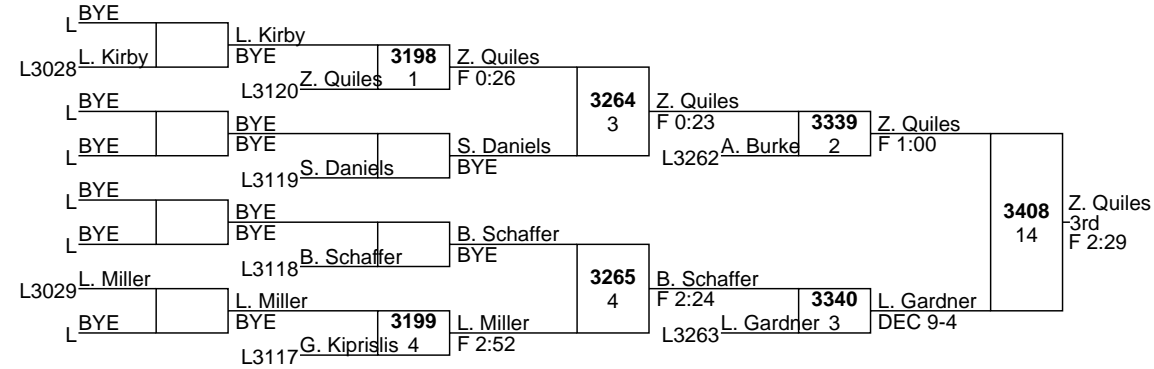
Milford, DE  
 S. Daniels  
 BYE

W-3. **Laney Miller**

Imler, PA  
 3029 G. Richburg  
 S-3. **Grayson Richburg** 2 F 0:23

E-1. **Zsofia Quiles**

Norwich, CT  
 Z. Quiles  
 BYE



L3339 A. Burke F 1:00 3409 B. Schaffer 5th DEC 5-4

L3340 B. Schaffer 3 DEC 9-4

L3264 S. Daniels F 0:23 3410 S. Daniels 7th DEC 7-5

L3265 L. Miller 10 F 2:24



MD-MAWA Eastern Nationals  
Midget Girls  
103

RR Rnd 1

N-1. **Amelia Wright**  
*Chemung, NY*  
BYE

N-1. **Amelia Wright**  
BYE

E-1. **Peyton Segata**  
*Langhorne, PA*  
3004 3

E-1. **Peyton Segata**  
TF 15-0 2:15

W-2. **Jazlynn Dale**  
*Oakland, MD*  
3005 5

W-1. **Willow Reynolds**  
MD 17-4

Willow Reynolds  
1st

RR Rnd 2

D. Slody  
3030 1

A. Wright  
MD 10-0

P. Segata  
3031 3

W. Reynolds  
DEC 3-0

J. Dale  
BYE

J. Dale  
BYE

Peyton Segata  
2nd

RR Rnd 3

W. Reynolds  
3121 1

W. Reynolds  
DEC 6-0

D. Slody  
BYE

D. Slody  
BYE

P. Segata  
3122 4

P. Segata  
F 0:48

Amelia Wright  
3rd

RR Rnd 4

J. Dale  
3266 5

A. Wright  
F 0:13

W. Reynolds  
3267 2

W. Reynolds  
DEC 5-0

P. Segata  
BYE

P. Segata  
BYE

Dakota Slody  
4th

RR Rnd 5

P. Segata  
3412 10

P. Segata  
MD 8-0

J. Dale  
3413 10

D. Slody  
F 2:14

W. Reynolds  
BYE

W. Reynolds  
BYE

Jazlynn Dale  
5th

MD-MAWA Eastern Nationals  
Midget Girls  
134

RR Rnd 1

<b>N-1. Alexis Mott</b> <i>Masonville, NY</i>	<b>3123</b>	<b>E-1. Victoria Lu</b>
	2	F 1:49
<b>E-1. Victoria Lu</b> <i>Parsippany, NJ</i>		

<b>S-1. Morgana Dunn</b> <i>Fredericksburg, VA</i>	<b>3124</b>	<b>N-2. Alice Shaver</b>
	3	F 1:37
<b>N-2. Alice Shaver</b> <i>Nineveh, NY</i>		

Victoria Lu	1st
-------------	-----

RR Rnd 2

<b>A. Shaver</b>	<b>3268</b>	<b>A. Mott</b>
	3	F 2:40
<b>A. Mott</b>		

<b>M. Dunn</b>	<b>3269</b>	<b>V. Lu</b>
	5	F 1:43
<b>V. Lu</b>		

Alexis Mott	2nd
-------------	-----

RR Rnd 3

<b>M. Dunn</b>	<b>3414</b>	<b>A. Mott</b>
	14	F 1:00
<b>A. Mott</b>		

<b>A. Shaver</b>	<b>3415</b>	<b>V. Lu</b>
	13	F 1:37
<b>V. Lu</b>		

Alice Shaver	3rd
--------------	-----

Morgana Dunn	4th
--------------	-----

MD-MAWA Eastern Nationals  
High School Girls  
96

RR Rnd 1

N-1 <b>Cadence Guy</b> <i>Oneonta, NY</i>		N-1 <b>Cadence Guy</b> BYE
BYE		

N-1 <b>Danica Bacorn</b> <i>South Williamsport, PA</i>	3154	N-1 <b>Danica Bacorn</b> F 3:30
S-1 <b>Logan Newton</b> <i>Md</i>	3	

Cadence Guy	1st
-------------	-----

RR Rnd 2

L. Newton		C. Guy
C. Guy	3296 3	F 1:09

D. Bacorn		D. Bacorn
BYE		BYE

Danica Bacorn	2nd
---------------	-----

RR Rnd 3

D. Bacorn		C. Guy
C. Guy	3446 10	F 0:53

L. Newton		L. Newton
BYE		BYE

Logan Newton	3rd
--------------	-----

MD-MAWA Eastern Nationals  
 High School Girls  
 103

RR Rnd 1

W-1 <b>Natalie Handy</b> <i>Glennville, PA</i>	<b>3155</b> 5	W-1 <b>Natalie Handy</b>
S-2 <b>Faith Day</b> <i>Manchester, MD</i>		F 2:01

Natalie Handy	1st
---------------	-----

RR Rnd 2

F. Day	<b>3297</b> 4	N. Handy
N. Handy		F 1:22

Faith Day	2nd
-----------	-----

RR Rnd 3

BYE	<b>3447</b>	BYE
BYE		BYE

MD-MAWA Eastern Nationals  
High School Girls  
110

N-1 <b>Lillian Rumsey</b> Williamsport, PA	3156	1	L. Rumsey F 0:20			
S-3 <b>Callie Dolt</b> Dover, DE				3298	3	L. Rumsey F 0:53
N-4 <b>Leonora Serrano</b> Sherburne, NY	3157	2	N. Allen F 1:55			
E-1 <b>Nola Allen</b> Morganville, NJ						3451 13 L. Rumsey -1st F 2:20
S-2 <b>Bryn Cespedes</b> Jarretsville, MD	3158	3	L. Lagunas F 1:17			
W-2 <b>Layla Lagunas</b> Hampstead, MD				3299	1	L. Lagunas DEC 7-0
BYE			C. Ciresa BYE			
N-1 <b>Charlie Ciresa</b> East Stroudsburg, PA						

L3156	C. Dolt					
		3300	C. Dolt F 3:29			
L3157	L. Serrano	5		3355	5	C. Ciresa DEC 10-7
			L3299	C. Ciresa		
L3158	B. Cespedes				3448	9 C. Ciresa 3rd F 2:22
			B. Cespedes			
	BYE		BYE	3356	4	N. Allen F 2:45
			L3298	N. Allen		

L3355	C. Dolt					
		3449	B. Cespedes 5th			
L3356	B. Cespedes		F 4:06			
			F 2:45			

L3300	L. Serrano					
		3450	L. Serrano 7th			
	BYE		BYE			
	BYE					

W-1 <b>Brynn Ryan</b> Hampstead, MD	BYE	B. Ryan	BYE					
S-5 <b>Adelynn Till</b> Newark, DE	BYE	A. Till	BYE	3053	2	A. Till	F 4:24	
N-3 <b>Shaniece Brown</b> Hazleton, PA	BYE	S. Brown	BYE	3054	1	E. Dolt	F 1:16	
S-2 <b>Emmy Dolt</b> Dover, DE	BYE	E. Dolt	BYE					
N-2 <b>Jennie Burnham</b> East Meredith, NY	BYE	J. Burnham	BYE	3055	4	J. Burnham	F 1:29	
S-3 <b>Rebecca Royer</b> Millville, NJ	BYE	R. Royer	BYE					
W-4 <b>Peydan Reyes</b> Arendtsville, PA	BYE	P. Reyes	BYE	3056	2	A. Knickerbocker	F 0:44	
N-5 <b>Alexis Knickerbocker</b> Hornell, NY	BYE	A. Knickerbocker	BYE					
S-1 <b>Sophia Hodges</b> Pasedena, MD	BYE	S. Hodges	BYE	3057	5	S. Hodges	F 2:48	
N-4 <b>Emma Vanderhoof</b> Waverly, NY	BYE	E. Vanderhoof	BYE					
E-3 <b>Nuria Kojic</b> Old Bridge, NJ	BYE	N. Kojic	BYE	3058	1	N. Kojic	F 0:32	
W-2 <b>Jayna Reynolds</b> Hanover, PA	BYE	J. Reynolds	BYE					
E-2 <b>Aaliyah Hernandez</b> New Britain, CT	BYE	A. Hernandez	BYE	3059	3	A. Hernandez	MD 15-5	
N-6 <b>Keziah Wilson</b> Henryville, PA	3008	K. Wilson						
W-3 <b>Analicia Cotto</b> Loysville, PA	2	F 2:20						
S-4 <b>Anastasia Dakoulas</b> Rockville, MD	BYE	A. Dakoulas	BYE	3060	1	A. Dakoulas	F 3:39	
N-1 <b>RaeAnn Craft</b> Owego, NY	BYE	R. Craft	BYE					

BYE	BYE							
BYE	BYE	R. Craft	BYE					
BYE	L3060			3163	2	R. Craft	FOR	
BYE	BYE	K. Wilson	BYE			A. Knickerbocker	F 3:19	
BYE	L3059							
BYE	BYE	J. Reynolds	BYE					
BYE	L3058			3164	1	E. Vanderhoof	F 3:37	
BYE	BYE	E. Vanderhoof	BYE			E. Dolt	F 3:47	
BYE	L3057							
BYE	BYE	P. Reyes	BYE					
BYE	L3056			3165	1	R. Royer	F 0:32	
BYE	BYE	R. Royer	BYE			A. Hernandez	F 0:40	
BYE	L3055							
L3008	A. Cotto	A. Cotto	BYE	3074	2	S. Brown	MD 9-0	
BYE	L3054			3166	1	B. Ryan	F 2:06	
BYE	BYE	B. Ryan	BYE			N. Kojic	F 2:19	
	L3053							

L3357	A. Dakoulas	A. Dakoulas		3453	5th			
L3358	J. Burnham							

L3303	E. Dolt	E. Dolt		3454	7th			
L3304	B. Ryan				10			

3159	4	A. Till	MD 8-0				
3301	2	A. Till	DEC 4-2 SV				
3160	4	J. Burnham	DEC 8-4				
3161	3	S. Hodges	F 3:40				
3302	1	S. Hodges	DEC 2-0				
3455	14	A. Till	1st DEC 2-0 SV				

3303	2	R. Craft	MD 12-0				
3357		R. Craft	F 2:27				
3452	14	R. Craft	3rd MD 12-1				

MD-MAWA Eastern Nationals  
High School Girls  
125

W-1 <b>Adrianna Bowling</b> Arendtsville, PA	3061	3	A. Bowling				
S-6 <b>Brylee Davis</b> Salisbury, MD			F 0:44	3167	2	A. Bowling	
N-3 <b>Lillian Wright</b> Elmira, NY	3062	4	A. Littleton			F 1:12	
S-2 <b>Autumn Littleton</b> Harrington, DE			F 2:21				3305 3
N-2 <b>Jenna Comer</b> Corning, NY	3063	5	C. Freeman				R. Lerner DEC 10-5
S-3 <b>Clara Freeman</b> Columbia, MD			F 2:41	3168	4	R. Lerner	
W-4 <b>Callie Serio</b> Frederick, MD	3064	4	R. Lerner			F 2:59	
E-1 <b>Riley Lerner</b> May Landing			F 2:56				3459 14
S-1 <b>Makenna Dolt</b> Dover, DE	3065	1	M. Dolt				R. Lerner -1st F 3:47
E-4 <b>Adriana Farese</b> Old Bridge, NJ			F 3:18	3169	3	M. Dolt	
E-3 <b>Ariella Manzella</b> Mickelton, NJ	3066	2	A. Goss			F 3:00	
W-3 <b>Aubrey Goss</b> Milroy, PA			F 1:15				3306 5
E-2 <b>Kylie Wright</b> Egg Harbor Twp, NJ	3067	5	K. Wright			MD 9-0	M. Dolt F 1:28
W-4 <b>Neveah Fegley</b> Beavertown, PA				3170	3	S. Olver	
S-5 <b>Rachel Plata-Arce</b> Berlin, MD	3068	1	S. Olver			F 3:53	
N-1 <b>Saige Olver</b> Damascus, PA			F 1:59				

L3061 B. Davis	3171	5	L. Wright				
L3062 L. Wright			F 2:22	3220	1	K. Wright	
L3063 J. Comer				L3170		F 0:44	
L3064 C. Serio	3172	2	C. Serio			3307 1	K. Wright DEC 5-0
L3065 A. Farese			F 0:57	3221	3	C. Serio	3359 A. Bowling
L3066 A. Manzella	3173	1	A. Manzella			F 3:12	L3305 A. Bowling 2 F 0:59
L3067 N. Fegley			F 2:54	3222	2	C. Freeman	3456 13 A. Bowling -3rd F 3:48
L3068 R. Plata-Arce	3174	1	R. Plata-Arce			F 2:44	
			F 1:52	3223	1	A. Littleton	
			F 3:37			3308 3	A. Littleton DEC 5-4
							3360 S. Olver 4 F 2:56

L3359 K. Wright			F 0:59	3457	9	A. Littleton	
L3360 A. Littleton			F 2:56			-5th FOR	

L3307 C. Serio			DEC 5-0	3458	0	C. Serio	
L3308 C. Freeman			DEC 5-4			-7th DEC 2-0 SV	

MD-MAWA Eastern Nationals  
High School Girls  
132

W-2 <b>Angel Upright</b> Hanover, PA	3175	E. Coesfeld		
S-2 <b>Emma Coesfeld</b> Franklinville, NJ	4	F 1:30	3309	D. Lin
BYE			2	DEC 6-4 SV
E-1 <b>Dara Lin</b> Garnerville, NY		D. Lin		3463 13
		BYE		
S-1 <b>Shea Aretz</b> Milmay, NJ		S. Aretz		S. Aretz
BYE		BYE		1st DEC 10-5
E-2 <b>Emma Arnold</b> W. Grove, PA	3176	H. Rathbun	3310	S. Aretz
N-1 <b>Hanna Rathbun</b> Ulster, PA	5	F 4:05	5	DEC 7-0

L3175	A. Upright			
	BYE	A. Upright		
		BYE	3361	H. Rathbun
		L3310	H. Rathbun 5	MD 10-2
	BYE		3460	H. Rathbun
		E. Arnold	13	3rd DEC 10-5
L3176	E. Arnold	BYE	3362	E. Coesfeld
		L3309	E. Coesfeld 1	F 3:31

L3361	A. Upright			
	MD 10-2	E. Arnold	3461	
L3362	E. Arnold 10	5th		
	F 3:31	TF 17-1 4:19		

	BYE		
L	BYE	3462	BYE
L	BYE		BYE
L	BYE		BYE



MD-MAWA Eastern Nationals  
High School Girls

140

N-1 <b>Marissa Rumsey</b> Williamsport, PA		M. Rumsey					
BYE		BYE					
			<b>3177</b>	M. Rumsey			
			3	F 1:58			
N-3 <b>Shelby Morris</b> Sayre, PA	<b>3069</b>	A. Hunter-Synder					
S-2 <b>Amber Hunter-Synder</b> Bear, DE	4	F 2:32					
					<b>3311</b>	M. Rumsey	
					3	F 3:48	
N-2 <b>Janessa Santiago</b> Morrisville, NY	<b>3070</b>	J. Santiago					
E-5 <b>Ava Torres</b> Suffern, NY	3	F 1:27					
BYE			<b>3178</b>	J. Ayala			
			1	F 3:56			
E-1 <b>Jessica Ayala</b> Glen Mills, PA		J. Ayala					
		BYE					
S-1 <b>Hyelni Samaila</b> Windsor Mill, MD		H. Samaila					
BYE		BYE					
			<b>3179</b>	A. Watson			
			2	DEF 3:20			
S-3 <b>Talah Patton</b> Seaford, DE	<b>3071</b>	A. Watson					
E-2 <b>Angelina Watson</b> Lindenwold, NJ	5	MD 13-2					
					<b>3312</b>	S. Moore	
					4	F 0:49	
N-2 <b>Ahna Morris</b> Harveys Lake, PA	<b>3072</b>	A. Morris					
E-3 <b>Kaitlynn Arnold</b> W. Grove, PA	4	F 0:14					
BYE			<b>3180</b>	S. Moore			
			2	F 2:35			
N-1 <b>Selina Moore</b> Sherburne, NY		S. Moore					
		BYE					

**3467**  
13  
S. Moore  
1st  
DEC 7-6

L	BYE						
L3069	S. Morris	S. Morris	BYE	<b>3224</b>	A. Morris		
				4	F 0:19		
L3070	A. Torres	L3180	A. Morris		<b>3313</b>	A. Morris	
					1	F 0:55	
L	BYE		A. Torres	<b>3225</b>	A. Torres	<b>3363</b>	A. Morris
						2	F 0:35
L	BYE	L3179	H. Samaila	2	F 2:42	L3311	J. Ayala
L3071	T. Patton	T. Patton	BYE	<b>3226</b>	J. Santiago		
				4	F 0:40		
L3072	K. Arnold	L3178	J. Santiago		<b>3314</b>	A. Hunter-Synder	
					4	F 1:17	
L	BYE		K. Arnold	<b>3227</b>	A. Hunter-Synder	<b>3364</b>	A. Hunter-Synder
						3	F 2:30
		L3177	A. Hunter-Synder	DEC 4-0	L3312	A. Watson	

**3464**  
14  
A. Morris  
3rd  
F 3:45

L3363	J. Ayala	J. Ayala	F 0:35	<b>3465</b>	J. Ayala
				5th	
L3364	A. Watson	A. Watson	F 2:30	9	F 4:16

L3313	A. Torres	J. Santiago	F 0:55	<b>3466</b>	J. Santiago
				7th	
L3314	J. Santiago	J. Santiago	F 1:17	0	F 1:46

W-1 **Gabrielle Bambarger**

Curwensville, PA

BYE

G. Bambarger

BYE

3315

5

G. Bambarger

F 2:00

MD-MAWA Eastern Nationals

High School Girls

148

N-3 **Jamie Henderson**

Olyphant, PA

3181

5

J. Henderson

F 0:32

E-2 **Autumn Connolly**

Lebanon, NJ

S-1 **Alexandra Ford**

Laurel, MD

3182

3

A. Ford

F 0:33

N-4 **Kiara Davidson**

Johnson City, NY

BYE

3316

3

A. Ford

F 2:04

3471

9

A. Ford

1st

TF 17-1 4:30

N-1 **Molly Winters**

Wernersville, PA

M. Winters

BYE

BYE

L

A. Connolly

BYE

3365

M. Winters

F 3:12

L3181

A. Connolly

BYE

L3316 M. Winters 4

3468

9

M. Winters

3rd

F 3:43

L3182

K. Davidson

BYE

BYE

3366

J. Henderson

F 0:21

L3315

J. Henderson

L3365

A. Connolly

F 3:12

3469

A. Connolly

5th

L3366

K. Davidson

F 0:21

F 1:52

BYE

L

BYE

3470

BYE

BYE

L

BYE

L

MD-MAWA Eastern Nationals  
High School Girls  
158

S-1 <b>Katie Martin</b> Manchester, MD		K. Martin			
BYE		BYE			
N-2 <b>Abigail Wagner</b> Sayre, PA	<b>3183</b>	A. Wagner	<b>3317</b>	K. Martin	
E-1 <b>Riley Dunn</b> Bloomsbury, NJ	1	F 2:32	2	F 3:34	
S-1 <b>Kaira Lawson</b> Harrington, DE	<b>3184</b>	I. Dennis			
N-3 <b>Isabell Dennis</b> Cameron, NY	2	F 2:19			
E-2 <b>Devyn Stilton</b> Toms River, NJ	<b>3185</b>	Z. Kip	<b>3318</b>	Z. Kip	
N-1 <b>Zoe Kip</b> Liberty, NY	4	F 1:07	4	F 0:52	
				<b>3475</b>	K. Martin -1st F 0:14
				14	

L	BYE				
L3183	R. Dunn	BYE	<b>3367</b>	R. Dunn	
			2	F 2:56	
L3184	K. Lawson	L3318	<b>3472</b>	A. Wagner	
			10	F 0:38	
L3185	D. Stilton	K. Lawson	<b>3368</b>	A. Wagner	
	5	F 0:46	2	F 0:52	
		L3317			

L3367	I. Dennis	I. Dennis	<b>3473</b>		
	F 2:56	-5th	13	F 3:20	
L3368	K. Lawson				
	F 0:52				

L	BYE				
L3319	D. Stilton	D. Stilton	<b>3474</b>		
	F 0:46	-7th			
		BYE			

MD-MAWA Eastern Nationals  
High School Girls  
175

RR Rnd 1

S-1 <b>Ugochi Anunobi</b> <i>Randallstown, MD</i>	<b>3186</b>
W-1 <b>Daisy Glessner</b> <i>Philipsburg, PA</i>	5

S-1 **Ugochi Anunobi**  
F 0:24

S-3 <b>Rebecca Dryden</b> <i>Swedesboro, NJ</i>	<b>3187</b>
S-2 <b>Azariyah Johnson</b> <i>Berlin, MD</i>	3

S-2 **Azariyah Johnson**  
DEC 3-1

Ugochi Anunobi

1st

RR Rnd 2

A. Johnson	<b>3320</b>
U. Anunobi	4

U. Anunobi  
F 1:52

R. Dryden	<b>3321</b>
D. Glessner	1

R. Dryden  
F 3:40

Azariyah Johnson

2nd

RR Rnd 3

R. Dryden	<b>3476</b>
U. Anunobi	9

U. Anunobi  
F 0:48

A. Johnson	<b>3477</b>
D. Glessner	10

A. Johnson  
F 2:34

Rebecca Dryden

3rd

Daisy Glessner

4th

MD-MAWA Eastern Nationals  
High School Girls  
190

RR Rnd 1

S-1 <b>Shaelie Young</b> <i>Westville, NJ</i>	<b>3188</b> 1	S-1 <b>Shaelie Young</b>
S-2 <b>Chaniah Bernier</b> <i>Berlin, MD</i>		DEC 6-4

<u>Shaelie Young</u>	1st
----------------------	-----

RR Rnd 2

C. Bernier	<b>3322</b> 4	S. Young
S. Young		F 2:50

<u>Chaniah Bernier</u>	2nd
------------------------	-----

RR Rnd 3

BYE	<b>3478</b>	BYE
BYE		BYE

MD-MAWA Eastern Nationals

Bantam

40

S-1	<b>Bentley Balcerak</b> Salisbury, MD	1	B. Balcerak				
N-4	<b>Colin Gresh</b> Muncy, PA	1	F 0:54	474	B. Balcerak	DEC 5-3	
W-3	<b>Tanner Albright</b> York, PA	2	T. Albright	7			
E-2	<b>Madison Dragon</b> Ambler, PA	2	DEC 11-10				
W-2	<b>Kaden Slebodnik</b> Rostraver Township, PA	3	K. Slebodnik				
E-3	<b>Oliver Bartholomew</b> Hellertown, PA	3	DEC 8-4	475	R. White	DEC 7-0	
S-4	<b>Vincent Austin</b> Hammonden, NJ	4	R. White	8			
N-1	<b>Russell White</b> Palmyra, NY	4	F 0:22				
E-1	<b>Leo Alojado</b> Hasbrouck Heights, NJ	5	L. Alojado				
W-4	<b>Kameron Simmons</b> Selinsgrove, PA	5	F 0:57	476	L. Alojado	F 0:51	
N-3	<b>Niko Knight</b> Pottsville, PA	6	D. Beltran	10			
S-2	<b>Daniel Beltran</b> Laurel, MD	6	F 2:42				
N-2	<b>Hayden Zemba</b> Easton, PA	7	K. Bromwell				
S-3	<b>Kaiem Bromwell</b> Pasadena, MD	7	F 1:51	477	K. Bromwell	DEC 2-0	
E-4	<b>Calvin Handy</b> Red Lion, PA	8	L. Gregula	14			
W-1	<b>Lukas Gregula</b> Pittsburgh, PA	8	F 1:22				

1266	1	B. Balcerak	DEC 3-2 UTB
1748	4	L. Alojado	-1st DEC 6-4

1267	2	L. Alojado	MD 9-0
1745	1	R. White	-3rd MD 11-0

L1	C. Gresh	478	M. Dragon				
L2	M. Dragon	6	F 1:59	965	L. Gregula	DEC 7-0	
L3	O. Bartholomew		L477	L. Gregula	6		
L4	V. Austin	7	F 1:36	966	D. Beltran	3	1268
L5	K. Simmons		L476	D. Beltran	11	F 1:27	
L6	N. Knight	11	F 0:58	967	K. Slebodnik		
L7	H. Zemba		L475	K. Slebodnik	3	F 0:49	
L8	C. Handy	12	DEC 9-6	968	T. Albright	4	1269
			L474	T. Albright	12	MD 14-3	

L1585	L. Gregula	DEC 7-2	1746	L. Gregula	5th
L1586	K. Bromwell	DEC 3-2		F 0:25	

L1268	D. Beltran	DEC 7-3	1747	D. Beltran	7th
L1269	T. Albright	DEC 3-2		F 2:36	

MD-MAWA Eastern Nationals

Bantam

44

<b>S-1 Francis Schemeley</b> Franklinville, NJ	9	F. Schemeley			
<b>N-4 Jaxstin Howell</b> Chenango Forks, NY	9	F 2:00	<b>482</b>	H. Schuch DEC 7-1	
<b>W-3 Jayce Barton</b> Snow Shoe, PA	10	H. Schuch			
<b>E-2 Hunter Schuch</b> Langhorne, PA	10	F 0:23			
<b>W-2 Cohen McCray</b> Williamstown, WV	11	K. Foster MD 10-0		<b>1270</b> 5	H. Schuch DEC 4-2
<b>E-3 Kamden Foster</b> Hudson Falls, NY	11		<b>483</b> 13	K. Foster F 0:21	
<b>BYE</b>					
<b>N-1 Brantley Green</b> Wellsboro, PA		B. Green BYE			
<b>E-1 Angelo Barbieri</b> Delran, NJ	12	A. Barbieri			
<b>W-4 Austin Hamann</b> Bel Air, MD	12	F 1:59	<b>484</b> 10	A. Barbieri DEC 6-4	
<b>N-3 Ronan VanBuren</b> Hartwick, NY	13	R. VanBuren			
<b>S-2 Ryker Polk</b> Chesapeake, VA	13	DEC 6-0			
<b>N-2 Ephram Kazar</b> Danville, PA	14	E. Kazar		<b>1271</b> 6	L. Rehak F 2:57
<b>S-4 Cooper Jackson</b> Mays Landing, NJ	14	F 0:30	<b>485</b> 7	L. Rehak DEC 5-2	
<b>BYE</b>					
<b>W-1 Luke Rehak</b> Pittsburgh, PA		L. Rehak BYE			

**1752**  
10  
L. Rehak  
1st  
F 2:15

<b>L9 J. Howell</b>	<b>486</b>	J. Howell			
<b>L10 J. Barton</b>	8	MD 14-2	<b>969</b>	E. Kazar F 1:18	
<b>L11 C. McCray</b>		L485			
<b>BYE</b>					
<b>L12 A. Hamann</b>	<b>487</b>	R. Polk F 1:42		<b>1272</b> 7	E. Kazar MD 9-0
<b>L13 R. Polk</b>	6		<b>971</b> 10	R. Polk DEC 6-1	
<b>L14 C. Jackson</b>		L483			
<b>BYE</b>					
		L484	<b>970</b>	R. VanBuren F 1:33	
				<b>1587</b> 10	E. Kazar F 2:23
			<b>1273</b> 8	R. Polk F 2:00	
			<b>972</b>	F. Schemeley F 2:32	
				<b>1588</b> 6	A. Barbieri DEC 7-6

**1749**  
5  
A. Barbieri  
3rd  
F 1:53

<b>L1587 K. Foster</b>	<b>1750</b>	K. Foster		
<b>L1588 R. Polk</b>	6	5th DEC 4-2 SV		

<b>L1272 R. VanBuren</b>	<b>1751</b>	F. Schemeley		
<b>L1273 F. Schemeley</b>		7th DEC 6-2		

MD-MAWA Eastern Nationals

Bantam

48

S-1	<b>Gabriel Beltran</b> Laurel, MD	15	G. Beltran				
N-4	<b>Max Robinson</b> Walton, NY	1	DEC 6-1	<b>488</b>	L. Corredor		
W-3	<b>Maverick Cipriani</b> Pittsburgh, PA	16	L. Corredor	14	DEC 8-1		
E-2	<b>Lucas Corredor</b> Marlton, NJ	2	DEC 6-0				
W-2	<b>Mason Myers</b> York, PA	17	M. Myers				
E-3	<b>Penley Roof</b> Wellsville, PA	3	DEC 10-7	<b>489</b>	J. Sanders		
S-4	<b>Jace Reed</b> Rock Hall, MD	18	J. Sanders	11	F 2:59		
N-1	<b>Jack Sanders</b> Dalton, PA	4	F 0:51				
E-1	<b>Lucas Krause</b> Fair Lawn, NJ	19	L. Krause				
W-4	<b>Brandon Prive</b> Mineral Wells, WV	5	F 0:25	<b>490</b>	L. Krause		
N-3	<b>Maverick Elliott</b> Milford, PA	20	M. Elliott	12	MD 8-0		
S-2	<b>Kellen Priolo</b> West Friendship, MD	6	DEC 8-3				
N-2	<b>Kai Vitale</b> Luzerne, PA	21	T. Evans				
S-3	<b>Tyanna Evans</b> Vineland, NJ	7	DEC 3-2	<b>491</b>	O. Brink		
E-4	<b>Kyler Quave Britton</b> Pottstown, PA	22	O. Brink	9	MD 11-2		
W-1	<b>Owen Brink</b> Punxsutawney, PA	8	F 1:26				

1274	9	L. Corredor	DEC 4-2
1275	10	L. Krause	DEC 9-4
1756	14	L. Krause	1st DEC 5-2

L15	M. Robinson	492	M. Robinson				
L16	M. Cipriani	13	F 3:19	973	T. Evans		
L17	P. Roof		L491	8	DEC 4-0		
L18	J. Reed	493	F 0:18	974	M. Elliott		
L19	B. Prive		L490	2	MD 9-0		
L20	K. Priolo	494	F 3:05	975	K. Priolo		
L21	K. Vitale		L489	9	DEC 6-4		
L22	K. Quave Britton	495	F 3:07	976	G. Beltran		
			L488	14	F 0:40		
				1276	M. Elliott		
				11	DEC 4-2		
				1589	J. Sanders		
				11	DEC 4-0		
				1753	O. Brink		
				11	3rd DEC 2-0		
				1277	G. Beltran		
				12	FOR		
				1590	O. Brink		
				5	DEC 7-2		

L1589	M. Elliott	DEC 4-0	1754	G. Beltran	
L1590	G. Beltran	12	5th	DEC 10-5	
				DEC 7-2	

L1276	T. Evans	DEC 4-2	1755	T. Evans	
L1277	K. Priolo	13	7th	FOR	
				FOR	



MD-MAWA Eastern Nationals

Bantam

52

S-1	<b>Milo Ksebe</b> Lewes, DE	23	S. Esa Ahmed DEC 6-1	496 10	M. Falcone DEC 7-4 SV	1278 13	G. Dyson MD 10-1	1760 4	G. Dyson 1st DEC 7-6
N-4	<b>Shaikh Esa Ahmed</b> Honeoye Falls, NY	9							
W-3	<b>Jackson Swackhammer</b> Valencia, PA	24	M. Falcone F 2:00						
E-3	<b>Mason Falcone</b> King Of Prussia, PA	10							
W-2	<b>Wyatt Ault</b> Hanover, PA	25	C. Masker F 0:33	497 7	G. Dyson MD 12-1				
E-4	<b>Colton Masker</b> Hackettstown, NJ	11							
S-6	<b>Xavier Permelia</b> Smyrna, DE	26	G. Dyson F 1:13						
N-1	<b>Graham Dyson</b> Moscow, PA	12							
E-1	<b>Lorenzo Barbieri</b> Delran, NJ	27	L. Barbieri DEC 8-2	498 11	B. McKeown DEC 3-2	1279 14	C. Pollock DEC 6-0		
W-4	<b>Timothy Knapp</b> Orrtanna, PA	13							
N-3	<b>Beau McKeown</b> Wilkes-Barre, PA	28	B. McKeown F 0:50						
S-2	<b>Ethan Ulrick</b> Chestertown, MD	14							
N-2	<b>Carter Pollock</b> Baldwinsville, NY	29	C. Pollock F 0:21	499 9	C. Pollock F 1:48				
S-4	<b>Mason Miranda</b> Sicklerville, NJ	1							
E-5	<b>Jace Iozia</b> Elmwood Park, NJ	30	T. Cox F 1:13						
W-1	<b>Titus Cox</b> Etters, PA	2							

L23	M. Ksebe 500	J. Swackhammer DEC 2-0	977 7	J. Swackhammer DEC 8-6	1280 1	L. Barbieri MD 9-0	1591 13	L. Barbieri DEC 2-1	1757 1	B. McKeown 3rd DEC 4-2	
L24	J. Swackhammer L499	T. Cox DEC 5-0	979 13	C. Masker F 2:00							
L25	W. Ault 501	W. Ault F 0:33	978 4	L. Barbieri F 2:18							
L26	X. Permelia L498	L. Barbieri DEC 5-0									
L27	T. Knapp 502	T. Knapp DEC 5-0	979 13	C. Masker F 2:00	1281 2	S. Esa Ahmed DEC 13-6	1592 12	B. McKeown DEC 6-2			
L28	E. Ulrick L497	C. Masker DEC 13-6									
L29	M. Miranda 503	J. Iozia F 1:54	980 11	S. Esa Ahmed F 2:26							
L30	J. Iozia L496	S. Esa Ahmed DEC 13-6									

L1591	M. Falcone DEC 2-1	1758	S. Esa Ahmed 5th DEC 8-2
L1592	S. Esa Ahmed DEC 6-2		

L1280	J. Swackhammer MD 9-0	1759	J. Swackhammer 7th DEC 7-4
L1281	C. Masker DEC 13-6	3	DEC 7-4

S-1 **Raymond Hardman IV**

Oakton, VA  
BYE  
R. Hardman IV  
BYE  
504  
7

MD-MAWA Eastern Nationals

Bantam

56

W-3 **Oliver Cotto**  
Loysville, PA  
31  
3  
O. Cotto  
F 2:52

N-4 **Julius Calcagno**  
Albrightsville, PA  
W-2 **Isaac Berrier**  
Enola, PA  
32  
4  
T. Ribchinsky  
DEC 2-1

S-4 **Tyler Ribchinsky**  
Franklinville, NJ  
4  
505  
13  
P. Capogna  
DEC 4-2

E-3 **Peter Capogna**  
Sand Beach  
32A  
10  
P. Capogna  
DEC 8-6 SV

N-1 **Zayne Woodworth**  
Baldwinsville, NY  
N-2 **Jackson Gates**  
Easton, PA  
33  
5  
A. Beltz  
F 2:57

W-4 **Ace Beltz**  
Waynesboro, PA  
N-3 **Giovanni Lapi-Craver**  
Sprakers, NY  
34  
6  
G. Lapi-Craver  
F 1:56

S-2 **Jaxon Haliburton**  
Middletown, MD  
N-2 **Nathyn Chapman**  
Bernhars Bay, NY  
35  
7  
C. Thompson  
DEC 6-5

S-3 **Calvin Thompson**  
Millersville, MD  
BYE  
C. Boyer  
BYE  
507  
10

W-1 **Chase Boyer**  
McKeesport, PA  
L  
BYE  
J. Calcagno  
BYE  
981  
C. Thompson  
F 1:29

L31 J. Calcagno  
L32 I. Berrier  
L32A Z. Woodworth  
L33 J. Gates  
L34 J. Haliburton  
L35 N. Chapman

BYE  
J. Calcagno  
BYE  
981  
C. Thompson  
F 1:29

L31 J. Calcagno  
L32 I. Berrier  
L32A Z. Woodworth  
L33 J. Gates  
L34 J. Haliburton  
L35 N. Chapman

BYE  
J. Calcagno  
BYE  
981  
C. Thompson  
F 1:29

L31 J. Calcagno  
L32 I. Berrier  
L32A Z. Woodworth  
L33 J. Gates  
L34 J. Haliburton  
L35 N. Chapman

BYE  
J. Calcagno  
BYE  
981  
C. Thompson  
F 1:29

L31 J. Calcagno  
L32 I. Berrier  
L32A Z. Woodworth  
L33 J. Gates  
L34 J. Haliburton  
L35 N. Chapman

BYE  
J. Calcagno  
BYE  
981  
C. Thompson  
F 1:29

L31 J. Calcagno  
L32 I. Berrier  
L32A Z. Woodworth  
L33 J. Gates  
L34 J. Haliburton  
L35 N. Chapman

BYE  
J. Calcagno  
BYE  
981  
C. Thompson  
F 1:29

L31 J. Calcagno  
L32 I. Berrier  
L32A Z. Woodworth  
L33 J. Gates  
L34 J. Haliburton  
L35 N. Chapman

BYE  
J. Calcagno  
BYE  
981  
C. Thompson  
F 1:29

L31 J. Calcagno  
L32 I. Berrier  
L32A Z. Woodworth  
L33 J. Gates  
L34 J. Haliburton  
L35 N. Chapman

BYE  
J. Calcagno  
BYE  
981  
C. Thompson  
F 1:29

L31 J. Calcagno  
L32 I. Berrier  
L32A Z. Woodworth  
L33 J. Gates  
L34 J. Haliburton  
L35 N. Chapman

BYE  
J. Calcagno  
BYE  
981  
C. Thompson  
F 1:29

L31 J. Calcagno  
L32 I. Berrier  
L32A Z. Woodworth  
L33 J. Gates  
L34 J. Haliburton  
L35 N. Chapman

BYE  
J. Calcagno  
BYE  
981  
C. Thompson  
F 1:29

L31 J. Calcagno  
L32 I. Berrier  
L32A Z. Woodworth  
L33 J. Gates  
L34 J. Haliburton  
L35 N. Chapman

BYE  
J. Calcagno  
BYE  
981  
C. Thompson  
F 1:29

L31 J. Calcagno  
L32 I. Berrier  
L32A Z. Woodworth  
L33 J. Gates  
L34 J. Haliburton  
L35 N. Chapman

BYE  
J. Calcagno  
BYE  
981  
C. Thompson  
F 1:29

L31 J. Calcagno  
L32 I. Berrier  
L32A Z. Woodworth  
L33 J. Gates  
L34 J. Haliburton  
L35 N. Chapman

BYE  
J. Calcagno  
BYE  
981  
C. Thompson  
F 1:29

L31 J. Calcagno  
L32 I. Berrier  
L32A Z. Woodworth  
L33 J. Gates  
L34 J. Haliburton  
L35 N. Chapman

BYE  
J. Calcagno  
BYE  
981  
C. Thompson  
F 1:29

R. Hardman IV  
DEC 6-4  
1282  
3  
P. Capogna  
F 1:25  
1283  
4  
C. Boyer  
DEC 8-1

A. Beltz  
F 1:51  
1283  
4  
C. Boyer  
DEC 8-1

C. Boyer  
MD 11-2  
1283  
4  
C. Boyer  
DEC 8-1

C. Thompson  
DEC 6-5  
1284  
5  
R. Hardman IV  
DEC 6-5  
1593  
R. Hardman IV  
DEC 6-5

R. Hardman IV  
DEC 6-5  
1593  
R. Hardman IV  
DEC 6-5  
1761  
5  
A. Beltz  
3rd  
DEC 4-0

A. Beltz  
DEC 2-0  
1594  
3  
A. Beltz  
DEC 2-0  
1761  
5  
A. Beltz  
3rd  
DEC 4-0

A. Beltz  
DEC 2-0  
1594  
3  
A. Beltz  
DEC 2-0  
1761  
5  
A. Beltz  
3rd  
DEC 4-0

A. Beltz  
DEC 2-0  
1594  
3  
A. Beltz  
DEC 2-0  
1761  
5  
A. Beltz  
3rd  
DEC 4-0

A. Beltz  
DEC 2-0  
1594  
3  
A. Beltz  
DEC 2-0  
1761  
5  
A. Beltz  
3rd  
DEC 4-0

A. Beltz  
DEC 2-0  
1594  
3  
A. Beltz  
DEC 2-0  
1761  
5  
A. Beltz  
3rd  
DEC 4-0

1282  
3  
P. Capogna  
F 1:25  
1283  
4  
C. Boyer  
DEC 8-1

A. Beltz  
F 1:51  
1283  
4  
C. Boyer  
DEC 8-1

C. Boyer  
MD 11-2  
1283  
4  
C. Boyer  
DEC 8-1

C. Thompson  
DEC 6-5  
1284  
5  
R. Hardman IV  
DEC 6-5  
1593  
R. Hardman IV  
DEC 6-5

R. Hardman IV  
DEC 6-5  
1593  
R. Hardman IV  
DEC 6-5  
1761  
5  
A. Beltz  
3rd  
DEC 4-0

A. Beltz  
DEC 2-0  
1594  
3  
A. Beltz  
DEC 2-0  
1761  
5  
A. Beltz  
3rd  
DEC 4-0

A. Beltz  
DEC 2-0  
1594  
3  
A. Beltz  
DEC 2-0  
1761  
5  
A. Beltz  
3rd  
DEC 4-0

A. Beltz  
DEC 2-0  
1594  
3  
A. Beltz  
DEC 2-0  
1761  
5  
A. Beltz  
3rd  
DEC 4-0

A. Beltz  
DEC 2-0  
1594  
3  
A. Beltz  
DEC 2-0  
1761  
5  
A. Beltz  
3rd  
DEC 4-0

A. Beltz  
DEC 2-0  
1594  
3  
A. Beltz  
DEC 2-0  
1761  
5  
A. Beltz  
3rd  
DEC 4-0

1282  
3  
P. Capogna  
F 1:25  
1283  
4  
C. Boyer  
DEC 8-1

A. Beltz  
F 1:51  
1283  
4  
C. Boyer  
DEC 8-1

C. Boyer  
MD 11-2  
1283  
4  
C. Boyer  
DEC 8-1

C. Thompson  
DEC 6-5  
1284  
5  
R. Hardman IV  
DEC 6-5  
1593  
R. Hardman IV  
DEC 6-5

R. Hardman IV  
DEC 6-5  
1593  
R. Hardman IV  
DEC 6-5  
1761  
5  
A. Beltz  
3rd  
DEC 4-0

A. Beltz  
DEC 2-0  
1594  
3  
A. Beltz  
DEC 2-0  
1761  
5  
A. Beltz  
3rd  
DEC 4-0

A. Beltz  
DEC 2-0  
1594  
3  
A. Beltz  
DEC 2-0  
1761  
5  
A. Beltz  
3rd  
DEC 4-0

A. Beltz  
DEC 2-0  
1594  
3  
A. Beltz  
DEC 2-0  
1761  
5  
A. Beltz  
3rd  
DEC 4-0

A. Beltz  
DEC 2-0  
1594  
3  
A. Beltz  
DEC 2-0  
1761  
5  
A. Beltz  
3rd  
DEC 4-0

A. Beltz  
DEC 2-0  
1594  
3  
A. Beltz  
DEC 2-0  
1761  
5  
A. Beltz  
3rd  
DEC 4-0

1282  
3  
P. Capogna  
F 1:25  
1283  
4  
C. Boyer  
DEC 8-1

A. Beltz  
F 1:51  
1283  
4  
C. Boyer  
DEC 8-1

C. Boyer  
MD 11-2  
1283  
4  
C. Boyer  
DEC 8-1

C. Thompson  
DEC 6-5  
1284  
5  
R. Hardman IV  
DEC 6-5  
1593  
R. Hardman IV  
DEC 6-5

R. Hardman IV  
DEC 6-5  
1593  
R. Hardman IV  
DEC 6-5  
1761  
5  
A. Beltz  
3rd  
DEC 4-0

A. Beltz  
DEC 2-0  
1594  
3  
A. Beltz  
DEC 2-0  
1761  
5  
A. Beltz  
3rd  
DEC 4-0

A. Beltz  
DEC 2-0  
1594  
3  
A. Beltz  
DEC 2-0  
1761  
5  
A. Beltz  
3rd  
DEC 4-0

A. Beltz  
DEC 2-0  
1594  
3  
A. Beltz  
DEC 2-0  
1761  
5  
A. Beltz  
3rd  
DEC 4-0

A. Beltz  
DEC 2-0  
1594  
3  
A. Beltz  
DEC 2-0  
1761  
5  
A. Beltz  
3rd  
DEC 4-0

A. Beltz  
DEC 2-0  
1594  
3  
A. Beltz  
DEC 2-0  
1761  
5  
A. Beltz  
3rd  
DEC 4-0

1282  
3  
P. Capogna  
F 1:25  
1283  
4  
C. Boyer  
DEC 8-1

A. Beltz  
F 1:51  
1283  
4  
C. Boyer  
DEC 8-1

C. Boyer  
MD 11-2  
1283  
4  
C. Boyer  
DEC 8-1

C. Thompson  
DEC 6-5  
1284  
5  
R. Hardman IV  
DEC 6-5  
1593  
R. Hardman IV  
DEC 6-5

R. Hardman IV  
DEC 6-5  
1593  
R. Hardman IV  
DEC 6-5  
1761  
5  
A. Beltz  
3rd  
DEC 4-0

A. Beltz  
DEC 2-0  
1594  
3  
A. Beltz  
DEC 2-0  
1761  
5  
A. Beltz  
3rd  
DEC 4-0

A. Beltz  
DEC 2-0  
1594  
3  
A. Beltz  
DEC 2-0  
1761  
5  
A. Beltz  
3rd  
DEC 4-0

A. Beltz  
DEC 2-0  
1594  
3  
A. Beltz  
DEC 2-0  
1761  
5  
A. Beltz  
3rd  
DEC 4-0

A. Beltz  
DEC 2-0  
1594  
3  
A. Beltz  
DEC 2-0  
1761  
5  
A. Beltz  
3rd  
DEC 4-0

A. Beltz  
DEC 2-0  
1594  
3  
A. Beltz  
DEC 2-0  
1761  
5  
A. Beltz  
3rd  
DEC 4-0

MD-MAWA Eastern Nationals

Bantam

60

S-1	<b>James Otto</b> Westminster, MD	36	J. Otto				
N-4	<b>Cole Stopa</b> Youngstown, NY	8	F 0:49	509	14	K. Crowley DEC 4-0	
W-3	<b>Dean Steward</b> Taneytown, MD	37	K. Crowley				
E-2	<b>Kaiden Crowley</b> Altamont, NY	9	DEC 6-0				
W-2	<b>Luke Baublitz</b> Stewartstown, PA	38	Z. Jackson				
E-3	<b>Zachary Jackson</b> Siiclerville, NJ	10	DEC 6-0	510	12	Z. Jackson DEC 4-2 SV	
S-4	<b>Travis Wilson</b> Pine Hill, NJ	39	B. Bistline				
N-1	<b>Bryson Bistline</b> Lykens, PA	11	F 0:23				
E-1	<b>Noah Kalebek</b> Fair Lawn, NJ	40	N. Kalebek				
W-5	<b>Camden Foust</b> Mercersburg, PA	12	F 2:17	511	8	N. Kalebek F 1:49	
N-3	<b>Jax Miller</b> Trevorton, PA	41	J. Miller				
S-2	<b>Cassius Hawkins</b> Baltimore, MD	13	FOR				
N-2	<b>Jensen Mihalik</b> Elkland, PA	42	J. Rodgers				
S-3	<b>Jaquil Rodgers</b> Smyrna, DE	14	DEC 11-4	512	6	P. Fissel F 0:29	
E-4	<b>Jordan Sampson</b> Williamstown, NJ	43	P. Fissel				
W-1	<b>Porter Fissel</b> New Oxford, PA	5	DEC 8-4				

1286	7	Z. Jackson DEC 3-2
1287	8	P. Fissel DEC 8-6
1768	14	Z. Jackson -1st DEC 6-0

L36	C. Stopa	513	C. Stopa				
L37	D. Steward	11	F 3:03	985	14	J. Rodgers F 0:57	
L38	L. Baublitz	514	L. Baublitz				
L39	T. Wilson	9	F 1:53	986	6	L. Baublitz MD 15-5	
L40	C. Foust	515	C. Foust				
L41	C. Hawkins	13	FOR	987	3	B. Bistline DEC 4-0	
L42	J. Mihalik	516	J. Sampson				
L43	J. Sampson	7	F 1:19	988	2	J. Sampson DEC 4-1	

1288	9	L. Baublitz DEC 7-4
1595	1	K. Crowley MD 14-0
1765	11	N. Kalebek -3rd DEC 4-0
1289	10	J. Sampson F 2:00
1596	10	N. Kalebek DEC 6-4

L1595	L. Baublitz MD 14-0	1766	J. Sampson -5th DEC 9-7
L1596	J. Sampson	2	DEC 6-4

L1288	J. Rodgers DEC 7-4	1767	B. Bistline -7th F 0:29
L1289	B. Bistline	13	F 2:00

MD-MAWA Eastern Nationals

Bantam

65

S-1 <b>Michael Pagan</b> Franklinville, NJ	44	M. Freeborn					
N-4 <b>Mason Freeborn</b> Reading, PA	8	MD 11-2	517	12	M. Wilson	TF 17-2 3:00	
W-3 <b>Maximus Farace</b> Littlestown, PA	45	M. Wilson					
E-2 <b>Maddox Wilson</b> Sandy Hook, CT	14	F 1:26					
W-2 <b>Remington Maurer</b> Boswell, PA	46	J. Jolley					
E-3 <b>Jaxon Jolley</b> Norwich, CT	5	DEC 6-2	518	14	J. Jolley	DEC 4-2	
BYE							
N-1 <b>Brylan Zerbe</b> Valley View, PA		B. Zerbe					
N-3 <b>Cameron Doroshenko</b> Spring Brook Township, PA	47	C. Doroshenko					
W-4 <b>Hunter Hurst</b> Havre De Grace, MD	4	DEC 5-0	519	10	L. Tiankee	F 0:52	
E-1 <b>Luci Tiankee</b> Belleville, NJ		L. Tiankee					
BYE		BYE					
N-2 <b>Oliver Stacconi</b> Binghamton, NY	48	A. Cosgrove					
E-4 <b>Andrew Cosgrove</b> Glen Rock, NJ	11	DEC 8-4	520	14	C. Long	DEC 8-1	
BYE							
W-1 <b>Colson Long</b> Rochester, PA		C. Long					
		BYE					

1290  
11

1772  
11

M. Wilson  
1st  
F 1:49

1291  
12

C. Long  
FOR

L44 M. Pagan	521	M. Farace					
L45 M. Farace	9	F 0:56	989		M. Farace	DEC 6-1	
L46 R. Maurer		L520 A. Cosgrove					
BYE		R. Maurer					
L47 H. Hurst		L519 C. Doroshenko					
BYE		H. Hurst					
L48 O. Stacconi		L518 B. Zerbe					
BYE		O. Stacconi					

1292  
13

C. Doroshenko  
DEC 2-0

1597  
13

C. Doroshenko  
F 0:57

1769  
14

C. Doroshenko  
3rd  
F 2:24

1293  
14

B. Zerbe  
DEC 4-0

1598  
5

B. Zerbe  
FOR

L1597 J. Jolley	1770	J. Jolley	
L1598 L. Tiankee	13	5th FOR	

L1292 M. Farace	1771	M. Farace	
L1293 M. Freeborn	12	7th DEC 4-2	

MD-MAWA Eastern Nationals

Bantam

73

S-1	<b>Christopher Magness</b> Fairfax, VA	49	C. Magness			
N-5	<b>Nash Davis</b> Zion Grove, PA	1	F 0:53	522	8	C. Magness F 1:38
W-3	<b>Beau Havers</b> Bradford, PA	50	T. Silverstrim			
E-2	<b>Ty Silverstrim</b> Bethany, CT	6	F 0:34			1294 1
W-2	<b>Coleman Beecroft</b> Spring Grove, PA	51	C. Beecroft			
S-3	<b>Stephan Purnell</b> Sicklerville, NJ	8	DEC 7-5	523	6	C. Beecroft F 1:43
BYE			I. Schaffner			
N-2	<b>Isaac Schaffner</b> Lykens, PA		BYE			
E-1	<b>Rally Zinck</b> Philadelphia, PA	52	R. Zinck			
W-4	<b>Colton Boose</b> New Oxford, PA	2	DEC 8-6 SV	524	13	R. Zinck TF 16-0 2:38
N-4	<b>Chase Proffitt</b> McClure, PA	53	C. Proffitt			
S-2	<b>Jason Reynolds</b> Clayton, DE	3	MD 14-1			1295 2
N-3	<b>Grant Casselberry</b> Covington, PA	54	G. Casselberry			
E-4	<b>Sawyer Fowler</b> Newtown, PA	4	MD 11-1	525	11	G. Casselberry F 1:39
BYE			G. Roche			
W-1	<b>Greyson Roche</b> Eighty Four, PA		BYE			

1776  
5  
R. Zinck  
1st  
DEC 6-1

L49	N. Davis	526	B. Havers			
L50	B. Havers	12	F 0:14	993	5	G. Roche DEC 6-4 SV
L51	S. Purnell		L525 G. Roche			
L	BYE		S. Purnell			1296 3
L52	C. Boose	527	C. Boose			
L53	J. Reynolds	7	TF 16-0 2:00	995	1	C. Boose F 0:45
L54	S. Fowler		L523 I. Schaffner			
L	BYE		S. Fowler			1297 4
			L522 T. Silverstrim			
			BYE	996		T. Silverstrim F 1:26
						L1295 G. Casselberry F 2:38
						1599 1 C. Magness F 2:57
						1773 10 C. Magness 3rd DEC 7-4

L1599	S. Purnell	F 2:57	1774	S. Purnell	
L1600	T. Silverstrim	F 2:38		5th DEC 10-8 SV	

L1296	G. Roche	F 0:41	1775	C. Boose	
L1297	C. Boose	F 1:28	6	7th F 1:52	

E-1 **Bryce Ostaszewski**

Williamstown, NJ  
BYE

B. Ostaszewski  
BYE

MD-MAWA Eastern Nationals

Bantam

93

W-3 **Sean Klimkowski**

Indiana, PA  
528

S. Klimkowski

1298  
5

S. Klimkowski  
DEC 6-0

N-1 **TreSean Johnson**

Earlville, NY  
10

DEC 7-4

1780  
2

C. Smeak  
1st  
F 3:26 SV

E-3 **James Katona**

Plymouth Meeting, PA  
529

J. Katona

S-2 **Riley Richards**

Baltimore, MD  
14

F 2:21

1299  
6

C. Smeak  
F 0:43

W-4 **Warner Sines**

Oakland, MD  
530

C. Smeak

W-2 **Carter Smeak**

Stoystown, PA  
8

DEC 10-3

BYE

L

L528 T. Johnson

T. Johnson

BYE

1601

T. Johnson

MD 11-0

L529 R. Richards

L1299 J. Katona

2

1777  
4

T. Johnson  
3rd  
MD 9-0

L530 W. Sines

1300

W. Sines

1602

W. Sines

MD 9-0

F 1:46

L1298 B. Ostaszewski

L1601 J. Katona

MD 11-0

1778

B. Ostaszewski

L1602 B. Ostaszewski

MD 9-0

F 0:34

BYE

L

L1300 R. Richards

1779

F 1:46

BYE

MD-MAWA Eastern Nationals

Midget

50

W-1 <b>Jase Atherton</b> Milroy, PA	55	J. Atherton						
S-4 <b>William Uszenski</b> Montgomery, NY	10	J. Atherton	TF 16-0 2:20	531	11	J. Atherton	DEC 6-0	
N-3 <b>Deklan Bender</b> Duryea, PA	56	B. Rogers	DEC 7-4					
E-2 <b>Brody Rogers</b> Feasterville, PA	7							
N-2 <b>Miles Intorre</b> Middletown, PA	57	J. Shubiak	F 2:44	532	6	K. Salisbury	DEC 6-4	
E-3 <b>Johnny Shubiak</b> Whitehouse Station, NJ	11							
BYE								
S-1 <b>Kaine Salisbury</b> Owings, MD		K. Salisbury	BYE					
N-1 <b>Henry Michaluk</b> Muncy, PA	58	H. Michaluk	DEC 4-3	533	9	R. Martin	DEF 1:50	
E-4 <b>Ari Brown</b> Nottingham, PA	12							
S-3 <b>Colten Fisher</b> Ashburn, VA	59	R. Martin	MD 11-1					
W-3 <b>River Martin</b> Champion, PA	13							
S-2 <b>Sam Levine</b> Columbia, MD	60	S. Levine	DEC 1-0	534	10	J. Messina	TF 17-0 2:27	
W-4 <b>Greyson Bosley</b> York, PA	14							
N-4 <b>Greyson Schrader</b> Lima, NY	61	J. Messina	TF 17-1 2:38					
E-1 <b>Johnny Messina</b> Lincoln Park, NJ	11							

1784  
4  
J. Messina  
1st  
TF 15-0 2:27

L55	W. Uszenski	535	D. Bender					
L56	D. Bender	6	F 2:17	997	10	S. Levine	DEC 9-4	
L57	M. Intorre		L534					
	BYE		BYE	998	10	M. Intorre	FOR	
L58	A. Brown	536	A. Brown					
L59	C. Fisher	13	MD 12-2	999	9	J. Shubiak	DEC 6-3	
L60	G. Bosley		L532					
L61	G. Schrader	537	G. Bosley	1000	11	J. Shubiak	F 2:57	
			MD 11-2					
			L531					

1781  
1  
K. Salisbury  
3rd  
DEC 5-2

L1603	S. Levine		J. Shubiak				
	DEC 9-4	1782	5th				
L1604	J. Shubiak	2	DEC 3-1				
	DEC 4-3						

L1303	M. Intorre		B. Rogers				
	F 2:57	1783	7th				
L1304	B. Rogers	3	F 1:00				
	F 2:57						

MD-MAWA Eastern Nationals

Midget

54

W-1 **Mason Kolva**

Dillsburg, PA 62

M. Kolva F 1:35

S-4 **Jack Seeley**

Westminster, MD 8

538 8

N-3 **Lance Falsey**

Wisox, PA 63

V. McQuone MD 14-1

E-2 **Vincent McQuone**

Middlesex, NJ 9

1305 12

M. Kolva DEC 4-2 SV

N-2 **Cayden Comfort**

WilliamSPORT, PA 64

C. Cereface DEC 4-2

539 14

E-3 **Cooper Cereface**

Pennsburg, PA 5

BYE

S-1 **Javon Haliburton**

Middletown, DE

J. Haliburton BYE

N-1 **Kellan Winters**

Bridgeport, NY 65

K. Winters F 0:37

540 10

E-4 **Alexander LaBella**

South Plainfield, NJ 6

S-3 **Caleb Stottlemeyer**

Dundalk, MD 66

L. Ritchey DEC 2-1

W-4 **Logan Ritchey**

York, PA 2

S-2 **Ryley Herwig**

Catonsville, MD 67

R. Herwig F 0:35

541 12

N-4 **Jeffrey Swanick**

Hawley, PA 12

BYE

E-1 **Louis Alojado**

Hasbrouck Heights, NJ

L. Alojado BYE

J. Haliburton DEC 6-0

1788 10

K. Winters -1st MD 9-0

K. Winters F 0:34

1306 13

K. Winters DEC 11-4

L. Alojado DEC 4-0

L62 J. Seeley

L63 L. Falsey 6

J. Seeley F 1:16

542 6

L541 R. Herwig 6

R. Herwig DEC 6-5

1001 6

L64 C. Comfort

BYE

C. Comfort BYE

L540 L. Ritchey 3

L. Ritchey DEC 5-3

1002 3

1307 14

L. Ritchey DEC 2-0

1605 J. Haliburton DEC 6-0

L65 A. LaBella

L66 C. Stottlemeyer

C. Stottlemeyer DEC 11-9 SV

L539 C. Cereface 13

C. Stottlemeyer DEC 6-5

1003 13

L67 J. Swanick

BYE

J. Swanick BYE

L538 V. McQuone 1

V. McQuone F 1:43

1004 1

1308 4

V. McQuone DEC 8-3

L1306 L. Alojado 13

V. McQuone MD 11-2

1606 13

1785 5

V. McQuone -3rd DEC 5-0

L1605 L. Ritchey DEC 6-0

L. Alojado 5th MD 10-0

L1606 L. Alojado 6 MD 11-2

L1307 R. Herwig DEC 2-0

R. Herwig 7th DEC 7-4

L1308 C. Stottlemeyer DEC 8-3

1787 9



MD-MAWA Eastern Nationals

Midget

58

W-1	<b>Jacob Wenrich</b> Julian, PA	68	1	J. Wenrich	F 1:22				
S-4	<b>Ryker Burggraff</b> Ocean View, NJ					544	8	R. Limpar	DEC 7-0
N-3	<b>Ryder Limpar</b> Walnutport, PA	69	7	R. Limpar	DEC 7-0				
E-2	<b>Joey Lanzilli</b> Ridgefield, CT								
N-2	<b>John Cambra</b> Barnesville, PA	70	3	J. Cambra	F 2:43				
S-3	<b>Colton Hobbs</b> Middletown, DE					545	7	J. Cambra	TF 15-0 3:00
W-4	<b>Sylar Sarchiapone</b> Smithsburg, MD	71	4	S. Sarchiapone	DEC 2-1				
S-1	<b>Caleb Address</b> Sykesville, MD								
N-1	<b>Owen Begeal</b> Masonville, NY	72	1	O. Begeal	DEC 6-1				
E-4	<b>Marco Hernandez</b> Berwyn, PA					546	11	O. Begeal	DEC 6-5
S-3	<b>Ethan Bostard</b> Cape May Court House, NJ	73	2	E. Bostard	MD 9-1				
W-2	<b>Oakley Leese</b> Dover, PA								
S-2	<b>Gable Tan</b> Aldie, VA	74	10	B. Snyder	DEC 6-0				
W-3	<b>Bradley Snyder</b> Knoxville, MD					547	13	I. Jayson	DEC 1-0 UTB
N-4	<b>Isaac Jayson</b> Canastota, NY	75	14	I. Jayson	F 2:32				
E-1	<b>Harry Etter</b> Old Tappan, NJ								

1309  
14  
1792  
14  
J. Cambra  
-1st  
F 2:39

L68	R. Burggraff	548	9	J. Lanzilli	F 0:23	1005	2	B. Snyder	MD 12-0
L69	J. Lanzilli								
L70	C. Hobbs	549	14	C. Hobbs	DEC 6-0	1006	7	B. Snyder	DEC 2-0
L71	C. Address								
L72	M. Hernandez	550	10	O. Leese	DEC 7-0	1007	13	B. Snyder	DEC 4-0
L73	O. Leese								
L74	G. Tan	551	11	H. Etter	DEC 2-1	1008	13	O. Leese	F 2:44
L75	H. Etter								

1311  
7  
1607  
12  
1789  
11  
I. Jayson  
-3rd  
DEC 4-1

L1607	R. Limpar	1790	12	R. Limpar	DEC 4-0				
L1608	O. Leese				DEC 11-5				

L1311	C. Hobbs	1791	13	C. Hobbs	DEC 2-0				
L1312	J. Wenrich				MD 10-1				

W-1 Connor Dobson

Anita, PA		C. Dobson	
BYE		BYE	552

N-3 Liam Merithew

Morrisville, NY	76	L. Merithew	6
-----------------	----	-------------	---

E-2 Dallas Donmoyer

Garnet Valley, PA	9	DEC 4-2 SV	
-------------------	---	------------	--

W-2 Wyatt Beaver

Selinsgrove, PA	77	W. Beaver	
	6	DEC 16-10	

S-4 Jacob Castro

Landisville, NJ			553
			7

W-4 Ryder Hernandez

Orrtanna, PA	78	R. Hernandez	
	1	DEC 6-2	

S-1 Caleb Swain

Bridgeville, DE			

N-1 Matthew Bly

Wilkes-Barre, PA		M. Bly	
BYE		BYE	554

S-3 Lucas Harris

Vineland, NJ	79	B. Wilson	12
--------------	----	-----------	----

W-2 Brenner Wilson

Hanover, PA	12	F 2:53	
-------------	----	--------	--

S-2 Dexter Galofaro

Leesburg, VA	80	R. Weller	
	13	DEC 7-4	

W-3 Ryan Weller

Newburg, PA			555
			13

N-4 Brayden Lieberman

Danielsville, PA	81	Z. Young	
	11	F 2:33	

E-1 Zayne Young

Hardwick, NJ			

MD-MAWA Eastern Nationals

Midget

62


L76 D. Donmoyer	BYE	D. Donmoyer	1009
		DEC 2-0	4

L77 J. Castro	556	C. Swain	1315
	8	F 0:37	6

L78 C. Swain	1010	B. Wilson	1609
	9	DEC 8-3	9

L79 L. Harris	1011	L. Harris	1793
	14	DEC 8-4	1

L80 D. Galofaro	1316	L. Harris	1610
	9	DEC 8-6 SV	3

L81 B. Lieberman	1012	D. Galofaro	
	1	DEC 9-4	



L1609 R. Hernandez	1794	L. Harris	
	2	5th	

L1610 L. Harris		DEC 6-3	


L1315 D. Donmoyer	1795	D. Donmoyer	
	8	7th	

L1316 D. Galofaro		DEC 5-2	













MD-MAWA Eastern Nationals

Midget

66

W-1 <b>Asher Burke</b> Etters, PA	82	A. Burke					
S-4 <b>Logan Thomas</b> Mt Laurel, NJ	3	MD 9-1	558	12	A. Burke	DEC 8-2	
N-3 <b>Mason Reis</b> Muncy, PA	83	M. Reis					
E-2 <b>Parker Topa</b> Southington, CT	14	F 2:28					
N-2 <b>Cael Daly</b> Newark Valley, NY	84	B. Flamini					
E-3 <b>Brandon Flamini</b> Cranford, NJ	7	DEC 6-0	559	10	T. Butenewicz	DEC 1-0	
W-4 <b>Colten Beacom</b> Robinson, PA	85	T. Butenewicz					
S-1 <b>Travis Butenewicz</b> Vineland, NJ	4	DEC 4-1					
N-1 <b>Nickolas Patterson</b> Walkill, NY	86	N. Patterson					
E-4 <b>Mason Straile</b> Cedar Grove, NJ	1	F 1:15	560	9	N. Patterson	F 1:38	
S-3 <b>Keir Devlin</b> Mullica Hill, NJ	87	D. Towler					
W-2 <b>Dekota Towler</b> Pittsburgh, PA	8	DEC 5-1					
S-2 <b>Jack Lauer</b> Marmora, NJ	88	J. Lauer					
W-3 <b>Blake Husick</b> Saxton, PA	5	DEC 2-0	561	6	J. Lauer	TF 15-0 2:43	
N-4 <b>Johnny Salvaterra</b> Dallas, PA	89	C. Mercier					
E-1 <b>Cannon Mercier</b> Perkasie, PA	6	DEC 6-2					
				1317	2	T. Butenewicz	DEC 4-1
				1318	10	N. Patterson	DEC 2-0
				1800	9	N. Patterson	1st MD 12-2

L82	L. Thomas	562	10	P. Topa	DEC 8-1	1013	10	P. Topa	DEC 8-7		
L83	P. Topa			C. Mercier							
L84	C. Daly	563	11	C. Daly	DEC 2-0	1014	12	D. Towler	DEC 2-0	1319	12
L85	C. Beacom			D. Towler				D. Towler	FOR	1611	
L86	M. Straile	564	7	K. Devlin	DEC 7-2	1015	5	B. Flamini	DEC 7-0		
L87	K. Devlin			B. Flamini							
L88	B. Husick	565	8	J. Salvaterra	F 0:30	1016	11	B. Flamini	DEC 4-0	1612	11
L89	J. Salvaterra			M. Reis	DEC 7-0			J. Lauer	DEC 6-0		
				L561				D. Towler	DEC 6-4 SV		
				L560				A. Burke			
				L558				J. Lauer		1797	5
				L1317							J. Lauer
				L1318							3rd F 1:21

L1611	A. Burke	FOR		B. Flamini	5th FOR	1798	
L1612	B. Flamini	DEC 6-0					

L1319	P. Topa	DEC 6-4	1799	M. Reis	7th F 2:59		
L1320	M. Reis	DEC 4-0	6				

MD-MAWA Eastern Nationals

Midget

70

W-1 <b>Silas Bennett</b> Gillett, PA	90	S. Bennett					
S-4 <b>Luke Longo</b> Mullica Hill, NJ	13	MD 10-0	566	13	S. Bennett	DEC 7-0	
N-4 <b>Gus Engelman</b> Mountain Top, PA	91	G. Engelman					
E-2 <b>Parker Giovinco</b> Phoenixville, PA	9	DEC 4-2 SV					
N-3 <b>Kaleb Pollock</b> Baldwinsville, NY	92	W. Bryan					
E-3 <b>William Bryan</b> Ridgewood, NJ	10	DEC 7-0	567	12	A. Haber	DEC 4-0	
W-4 <b>Johnathon Beatty</b> Gap, PA	93	A. Haber					
S-1 <b>Avery Haber</b> Chestertown, MD	14	MD 11-2					
E-1 <b>Colton Louderback</b> Langhorne, PA	94	C. Louderback					
E-4 <b>Kyle Melillo</b> West Milford, NJ	7	F 0:59	568	14	C. Louderback	DEC 6-0	
S-3 <b>Max Garcia</b> Leesburg, VA	95	M. Bartlebaugh					
W-2 <b>Max Bartlebaugh</b> Harrisburg, PA	4	DEC 2-0					
S-2 <b>Dutch Srikachorn</b> Silver Spring, MD	96	A. Fisher					
W-3 <b>Alexander Fisher</b> Jersey Shore, PA	6	F 1:28	569	6	E. Santiago	MD 8-0	
N-5 <b>Griffin Doroshenko</b> Spring Brook Township, PA	97	E. Santiago					
E-1 <b>Elijah Santiago</b> Allentown, PA	3	F 2:39					

1321	1	A. Haber	F 1:38
1804	13	C. Louderback	1st DEC 6-1
1322	6	C. Louderback	DEC 4-2

L90	L. Longo	570	L. Longo				
L91	P. Giovinco	10	DEC 4-3	1017	A. Fisher	DEC 6-3	
L92	K. Pollock		L569	A. Fisher	8		
L93	J. Beatty	6	MD 10-0	1018	K. Pollock	DEC 4-0	
L94	K. Melillo	572	M. Garcia				
L95	M. Garcia	8	MD 10-0	1019	M. Garcia	DEC 3-2 UTB	
L96	D. Srikachorn		L567	W. Bryan	2		
L97	G. Doroshenko	573	F 2:44	1020	G. Engelman	DEC 5-0	

L1613	K. Pollock	MD 13-5	1802	G. Engelman	5th
L1614	G. Engelman	MD 12-0		DEC 4-0	

L1323	A. Fisher	DEC 9-2	1803	A. Fisher	7th
L1324	M. Garcia	DEC 2-0	12	DEC 5-2	

MD-MAWA Eastern Nationals

Midget

75

W-1 <b>Logan Trimmer</b> Etters, PA	98	L. Trimmer			
S-4 <b>Holden Schaffer</b> Galena, MD	1	F 0:47		574	L. Trimmer DEC 6-4 SV
N-3 <b>Emerson Shott</b> Hamburg, PA	99	E. Shott		11	
E-2 <b>Liam Turaj</b> Wyomissing, PA	12	DEC 2-0			1325 3
N-2 <b>Nico Bresadola</b> Warners, NY	100	N. Bresadola			J. Haddock Jr MD 9-0
E-3 <b>Brady Soboto</b> Malvern, PA	5	MD 11-0		575	
W-4 <b>Jake Schmitt</b> Mineral Wells, WV	101	J. Haddock Jr		14	J. Haddock Jr MD 8-0
S-1 <b>Jared Haddock Jr</b> Ellendale, DE	2	DEC 9-2			
N-1 <b>Piper Full</b> Clarks Summit, PA		P. Full			
BYE		BYE		576	
S-3 <b>Koleman Smith</b> Media, PA	102	K. Smith		12	K. Smith F 0:38
W-2 <b>Rylee Spahr</b> East Berlin, PA	11	F 2:52			1326 6
S-2 <b>Jax Paranto</b> Westville, NJ	103	J. Paranto			A. Szumowski MD 13-1
W-3 <b>James Wasnieski</b> Moon Twp, PA	13	F 0:40		577	
N-4 <b>Sawyer Hatch</b> Honeoye Falls, NY	104	A. Szumowski		8	A. Szumowski DEC 4-2 SV
E-1 <b>Aaron Szumowski</b> Millstone, NJ	10	MD 11-0			

1808  
3  
J. Haddock Jr  
1st  
MD 8-0

L98	H. Schaffer	578	L. Turaj		
L99	L. Turaj	6	F 1:53	1021	J. Paranto
			L577	J. Paranto	1
L100	B. Soboto				1327
L101	J. Schmitt	10	DEC 8-2	1022	P. Full
			L576	P. Full	7
L102	R. Spahr		BYE	1023	N. Bresadola
			L575	N. Bresadola	6
L103	J. Wasnieski	580	S. Hatch		1328
			DEC 6-0		8
L104	S. Hatch	13	DEC 6-0	1024	S. Hatch
			L574	E. Shott	4
					F 0:13
					L1326
					K. Smith
					11
					F 2:25
					1805
					14
					J. Paranto
					3rd
					DEC 2-0

L1615	L. Trimmer		MD 10-0	1806	K. Smith
					5th
L1616	K. Smith	1	F 1:18		
			F 2:25		

L1327	P. Full		DEC 7-0	1807	P. Full
					7th
L1328	S. Hatch	2	DEC 6-2		MD 12-0

MD-MAWA Eastern Nationals

Midget  
80

W-1	<b>Carson Kirk</b> Honey Grove, PA	105	C. Kirk	DEC 7-2			
S-4	<b>Tyler Brown</b> Millville, NJ	12			581	8	C. Kirk F 0:37
N-3	<b>Johnie Wilson</b> Danville, PA	106	J. Snyder	MD 9-0			
E-2	<b>Jude Snyder</b> Maple Glen, PA	9					
N-2	<b>Cooper Williams</b> Bloomsburg, PA	107	C. Williams	DEC 4-0			
W-4	<b>Spencer Metcalf</b> Keyser, WV	8			582	9	C. Williams DEC 4-2
	BYE						
S-1	<b>Caleb Hodo</b> Laurel, MD		C. Hodo	BYE			
N-1	<b>Clint Dwyer</b> Lafayette, NY		C. Dwyer	BYE			
	BYE				583	7	C. Dwyer TF 15-0 2:25
S-3	<b>Douglas Hazel</b> Greenwood, DE	108	D. Hazel	DEC 7-2			
W-2	<b>Carter Shetler</b> Chambersburg, PA	7					
S-2	<b>Brian Flynn</b> Lanham, MD	109	J. Boyd	MD 10-2			
W-3	<b>John Boyd</b> Alexandria, PA	3			584	14	J. Boyd MD 12-4
N-4	<b>Holden Abbott</b> Towanda, PA	110	H. Abbott	DEC 8-6 SV			
E-1	<b>Lee Delia</b> Sussex, NJ	4					
							1329 5 C. Kirk DEC 10-1
							1330 7 J. Boyd DEC 8-6
							1812 9 C. Kirk 1st F 0:52

L105	T. Brown	585	T. Brown	F 2:30			
L106	J. Wilson	11	H. Abbott	5	1025	5	T. Brown F 2:41
L107	S. Metcalf		S. Metcalf	BYE	1026	9	D. Hazel DEC 2-0
	BYE		D. Hazel				
	BYE		C. Shetler	BYE	1027	13	C. Hodo DEC 6-0
L108	C. Shetler		C. Shetler	BYE			
L109	B. Flynn	586	B. Flynn	MD 10-0	1028	13	B. Flynn F 2:16
L110	L. Delia	9	J. Snyder	13			
							1331 4 D. Hazel DEC 3-0
							1617 1 D. Hazel F 0:22
							1809 4 C. Dwyer 3rd F 1:43
							1332 2 B. Flynn F 2:16
							1618 2 C. Dwyer F 0:36

L1617	C. Williams	F 0:22	1810	B. Flynn	5th	F 1:40
L1618	B. Flynn	5				

L1331	T. Brown	DEC 3-0	1811	C. Hodo	7th	DEC 4-1
L1332	C. Hodo	6				

W-1 Julian Altiery

Reedsville, PA  
BYE

J. Altiery  
BYE  
587  
12

MD-MAWA Eastern Nationals

Midget

85

N-3 Jordan De Leon

Reading, PA  
E-2 Zahan Dotiwala  
Berwyn, PA

J. De Leon  
DEC 8-7

J. De Leon  
DEC 6-0  
1333  
3

N-2 Evan Ross

S Abington Twp, PA  
N-3 Harper Eschleman  
Reading, PA

H. Eschleman  
F 0:09  
588  
13

M. Ksebe  
DEC 7-0

W-4 Bentley Ault

Hanover, PA  
S-1 Malec Ksebe  
Lewes, DE

M. Ksebe  
F 2:11  
113  
5

M. Ksebe  
TF 15-0 3:00  
1816  
13

N-1 Kruze Payne

Sayre, PA  
BYE

K. Payne  
BYE  
589  
6

O. Wysocki  
F 0:57

E-4 Adrian Szumowski

Millstone, NJ  
W-2 Owen Wysocki  
Hanover, PA

O. Wysocki  
F 1:41  
114  
2

B. Danbe  
DEC 2-0  
1334  
11

S-2 Declan DeFriest

Marshall, VA  
W-3 Ryker Lowe  
New Bloomfield, PA

R. Lowe  
DEF  
115  
11

B. Danbe  
DEC 2-1  
590  
8

N-4 Deacon Hicks

South Williamsport, PA  
E-1 Brian Danbe  
Oradell, NJ

B. Danbe  
DEC 5-0  
116  
1

BYE

L111 Z. Dotiwala  
BYE  
1029  
12

R. Lowe  
DEC 6-2

L112 E. Ross  
L590 R. Lowe  
1335  
1

R. Lowe  
DEC 7-4  
1619

L113 B. Ault  
591  
10  
E. Ross  
F 1:22  
1030  
1

K. Payne  
F 1:51

L1333 J. De Leon  
6  
MD 9-0

BYE

L114 A. Szumowski  
BYE  
1031  
10

H. Eschleman  
F 0:29

1813  
10  
H. Eschleman  
3rd  
DEC 10-5

L115 D. DeFriest  
L588 H. Eschleman  
1336  
9

H. Eschleman  
DEC 9-2  
1620

L116 D. Hicks  
592  
FOR  
1032  
3

J. Altiery  
MD 9-0

L1334 O. Wysocki  
5  
DEC 7-5

L1619 J. De Leon  
MD 9-0  
1814  
5th

L1620 O. Wysocki  
DEC 7-5  
F 2:21

L1335 K. Payne  
DEC 7-4  
1815  
7th

L1336 J. Altiery  
DEC 9-2  
MD 8-0

W-1 **Coy Crane**

Lebanon, PA		C. Crane	
BYE		BYE	<b>593</b>

N-3 **Wyatt Wandell**

Rome, NY	<b>117</b>	B. Bazilus	9
----------	------------	------------	---

E-2 **Bruce Bazilus**

Cranford, NJ	10	DEC 3-0	
--------------	----	---------	--

N-2 **Hunter Brown**

Guilford, NY	<b>118</b>	H. Brown	
--------------	------------	----------	--

E-3 **Colin Laforge**

Wayne, NJ	6	F 0:33	<b>594</b>
-----------	---	--------	------------

W-4 **Jackson Allemang**

Jefferson Hills, PA	<b>119</b>	K. Williams-Smith	7
---------------------	------------	-------------------	---

S-1 **Kai Williams-Smith**

Bowie, MD	13	DEC 7-0	
-----------	----	---------	--

N-1 **Leon Melton II**

Glen Burnie, MD		L. Melton II	
-----------------	--	--------------	--

E-4 **Daniel Cooke**

Kearny, NJ	<b>120</b>	G. Leiva	<b>595</b>
------------	------------	----------	------------

W-2 **Grayson Leiva**

York, PA	12	TF 16-0 2:53	11
----------	----	--------------	----

S-3 **Shane Poole**

Georgetown, DE	<b>121</b>	G. Beacom	
----------------	------------	-----------	--

W-3 **Gray Beacom**

Robinson, PA	9	MD 12-0	<b>596</b>
--------------	---	---------	------------

N-4 **Brentley Nicholls**

Kingston, PA	<b>122</b>	J. Dentato	12
--------------	------------	------------	----

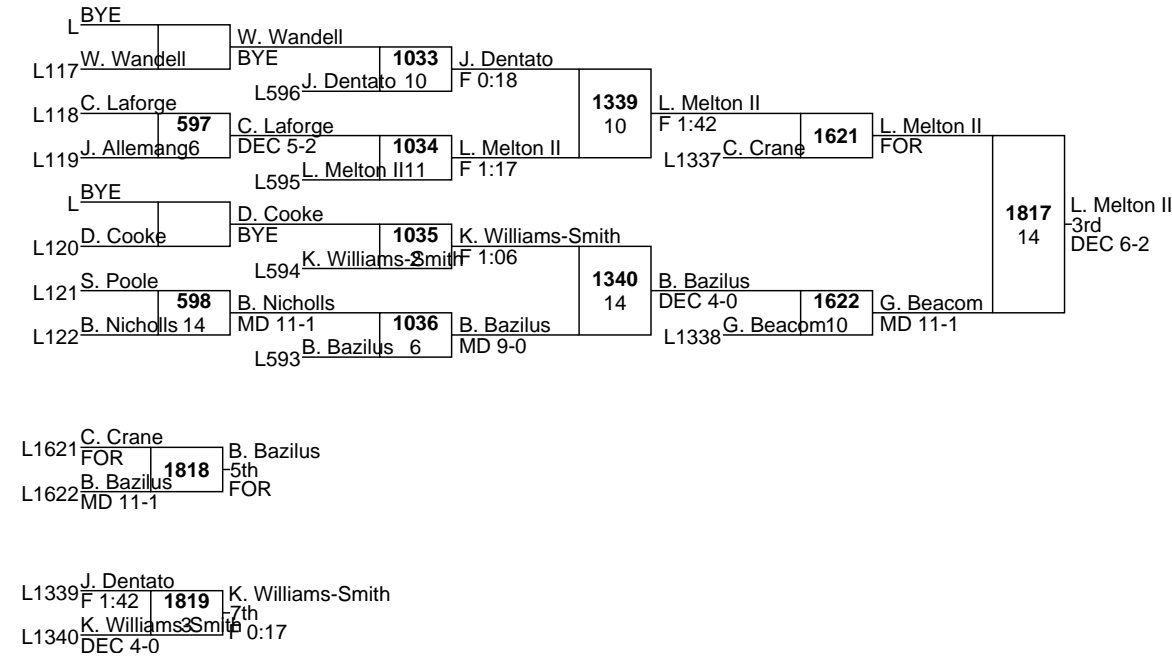
E-1 **Joseph Dentato**

Fairfield, NJ	7	F 2:19	
---------------	---	--------	--

MD-MAWA Eastern Nationals

Midget

93





MD-MAWA Eastern Nationals

Midget

105

W-1 <b>Tanner Ingle</b> Thompsontown, PA		T. Ingle					
BYE		BYE					
E-2 <b>Carter Kelly</b> Pennsburg, PA		C. Kelly					
BYE		BYE					
N-2 <b>Amir Lynah</b> Endicott, NY		A. Lynah					
BYE		BYE					
W-4 <b>Logan Degroft</b> Hanover, PA							
S-2 <b>Tyrone Evans III</b> Vineland, NJ	123	T. Evans III					
	14	F 1:29					
N-1 <b>Amelia Wright</b> Chemung, NY		A. Wright					
BYE		BYE					
E-3 <b>Jacob Ramirez</b> Lyndhurst, NJ							
W-2 <b>Cameron Corradetti</b> State College, PA	124	C. Corradetti					
	1	DEC 9-5					
N-3 <b>Wyatt Smith</b> Meshoppen, PA		L. Dietrich					
W-3 <b>Liam Dietrich</b> Greencastle, PA	125	L. Dietrich					
BYE	3	F 1:36					
E-1 <b>Raphael Dela Cruz</b> East Orange, NJ		R. Dela Cruz					
		BYE					

L	BYE						
L	BYE	BYE					
L	BYE	L602 R. Dela Cruz					
L	BYE						
L123	L. Degroft	L. Degroft					
		BYE					
		L601 C. Corradetti					
L	BYE						
L124	J. Ramirez	J. Ramirez					
		BYE					
		L600 A. Lynah					
L125	W. Smith	W. Smith					
		BYE					
L	BYE	L599 C. Kelly					

L1623	R. Dela Cruz	R. Dela Cruz					
	F 1:35	1822					
L1624	A. Lynah	A. Lynah					
	DEC 6-1	9					

L1343	L. Degroft	L. Degroft					
	F 0:50	1823					
L1344	W. Smith	W. Smith					
	F 0:13	10					

W-1 **Ian Redding, Jr**

York, PA

BYE

I. Redding, Jr

BYE

603

13

N-3 **Brody Ficks**

Milton, PA

E-3 **Dylan Alexander**

Brick, NJ

N-2 **Ash Musto**

Wellsboro, PA

BYE

BYE

S-1 **Dylan Reithmayr**

Emerson, NJ

N-1 **Hank Watson**

Turbotville, PA

BYE

S-3 **Brycen Berlett**

Kingsville, MD

W-2 **Xander Smith**

Martinsburg, PA

S-2 **Tyliyah Lofland**

Pikesville, MD

N-4 **Dante Solis-Rodriguez**

Pringle, PA

BYE

E-1 **Chance Joyce**

Garnet Valley, PA

A. Musto

BYE

604

6

D. Reithmayr

BYE

H. Watson

BYE

605

8

X. Smith

DEC 3-0

T. Lofland

DEC 8-2

606

11

C. Joyce

BYE

BYE

L126

BYE

BYE

BYE

BYE

L127

L128

L1347

L1348

D. Alexander

BYE

1040

14

L606

BYE

L605

B. Berlett

D. Solis-Rodriguez

BYE

L603

C. Joyce

F 2:54

1347

3

H. Watson

BYE

H. Watson

BYE

A. Musto

F 0:21

1041

13

D. Solis-Rodriguez

BYE

B. Ficks

DEC 7-3

C. Joyce

F 2:54

1347

3

H. Watson

BYE

H. Watson

BYE

A. Musto

F 0:21

1041

13

D. Solis-Rodriguez

BYE

B. Ficks

DEC 7-3

L1625

L1626

L1626

I. Redding, Jr

F 4:30 UTB

X. Smith

F 0:30

I. Redding, Jr

5th

F 1:53

1826

14

14

C. Joyce

F 2:12

1827

D. Solis-Rodriguez

7th

DEC 4-2

D. Solis-Rodriguez

F 2:14

MD-MAWA Eastern Nationals

Midget

134

I. Redding, Jr

F 2:34

1345

13

D. Reithmayr

DEC 6-2

D. Reithmayr

MD 8-0

1828

2

D. Reithmayr

1st

DEC 4-0

X. Smith

DEC 2-1

1346

6

T. Lofland

F 0:33

T. Lofland

TF 17-1 2:51

1825

13

A. Musto

3rd

DEC 8-6

H. Watson

F 2:12

1625

12

H. Watson

F 4:30 UTB

L1345

I. Redding, Jr

BYE

A. Musto

F 2:14

1626

13

A. Musto

F 0:30

L1346

X. Smith

DEC 7-3

MD-MAWA Eastern Nationals

Junior

58

N-1 **Troy Wescott**

N Syracuse, NY  
BYE

T. Wescott  
BYE  
607  
14

E-3 **Michael Maletta**

Kings Park, NY  
S-3 **Carter McGrath**  
Bowie, MD

M. Maletta  
DEC 7-0

E-2 **Marco Yodice**

West Milford, NJ  
BYE

M. Yodice  
BYE  
608  
6

W-1 **Ian Montalto**

Palmyra, PA  
BYE

I. Montalto  
BYE

E-1 **William Diksa**

Havertown, PA  
BYE

W. Diksa  
BYE  
609  
12

W-3 **Eli Hind**

Waynesboro, PA  
N-2 **Wyatt Reiner**  
Pitman, PA

W. Reiner  
DEC 4-3

W-2 **Bowen Taylor**

Tyrone, PA  
N-3 **Evan Snader**  
New Columbia, PA

B. Taylor  
MD 11-0  
610  
10

BYE

S-1 **Jacob Talley**

Burke, VA

J. Talley  
BYE

T. Wescott  
F 2:40  
1349  
10

I. Montalto  
F 1:38  
1350  
4

W. Diksa  
F 1:41  
1350  
4

B. Taylor  
F 0:44

I. Montalto  
DEC 5-0  
1832  
4  
I. Montalto  
-1st  
DEC 3-0

BYE

L129 C. McGrath  
BYE

C. McGrath  
BYE  
1043  
5  
J. Talley  
DEC 5-0

BYE

L610 J. Talley  
BYE

1351  
2  
W. Reiner  
DEC 6-0

1627  
1  
T. Wescott  
F 0:41

BYE

L130 E. Hind  
BYE

E. Hind  
BYE  
1044  
7  
M. Yodice  
DEC 6-0

1829  
1  
W. Diksa  
-3rd  
DEC 7-4

L131 E. Snader  
BYE

E. Snader  
BYE  
1045  
3  
M. Maletta  
DEC 5-1

1352  
12  
M. Yodice  
DEC 6-0  
1628  
7  
W. Diksa  
F 1:48

BYE

L607 M. Maletta

L1627 W. Reiner  
F 0:41  
1830  
5th  
M. Yodice  
MD 9-0

L1628 M. Yodice  
F 1:48

L1351 J. Talley  
DEC 6-0  
1831  
7th  
M. Maletta  
MD 11-0

L1352 M. Maletta  
DEC 6-0

MD-MAWA Eastern Nationals

Junior

62

N-1 <b>Keegan Pearce</b> Middletown, NY	132	1	K. Pearce DEC 4-1	611	7	K. Pearce TF 19-2 2:41	1353	14	M. Kephart DEC 7-0	1836	11	A. Messina Jr. 1st F 4:30 UTB
W-4 <b>James Sowa</b> Wexford, PA												
E-4 <b>Liam Hannis</b> Bloomsbury, NJ	133	10	C. Davison F 0:53	612	13	M. Kephart F 0:46						
S-2 <b>Chance Davison</b> Randallstown, MD												
E-3 <b>Lucas Huntley</b> Somerville, NJ	134	6	H. Meyer DEC 4-2									
N-4 <b>Hunter Meyer</b> Lafayette, NY												
BYE												
W-1 <b>Mason Kephart</b> Duncansville, PA			M. Kephart BYE									
E-1 <b>Anthony Messina Jr.</b> Lincoln Park, NJ			A. Messina Jr. BYE	613	11	A. Messina Jr. DEC 6-1						
BYE												
W-3 <b>Brady Eichelberger</b> Dillsburg, PA	135	12	J. Schaffer F 0:40									
N-2 <b>Jayce Schaffer</b> Bethel, PA												
W-2 <b>Camden Kagarise</b> Martinsburg, PA	136	13	B. Schneck F 1:44	614	8	B. Schneck DEC 5-0	1354	5	A. Messina Jr. DEC 2-1			
N-3 <b>Brady Schneck</b> Emmaus, PA												
BYE												
S-1 <b>Dylan Overton</b> Baltimore, MD			D. Overton BYE									

L132 J. Sowa	615	9	J. Sowa F 2:21	1046	12	D. Overton DEC 4-0	1355	6	J. Schaffer MD 12-3	1629	4	J. Schaffer DEC 4-3	1833	5	J. Schaffer 3rd DEC 5-3
L133 L. Hannis															
L134 L. Huntley			L. Huntley BYE	1047	11	J. Schaffer F 0:12									
BYE															
BYE															
L135 B. Eichelberger			B. Eichelberger BYE	1048	6	H. Meyer MD 13-0	1356	9	H. Meyer DEC 4-0	1630	10	H. Meyer DEC 5-4			
L136 C. Kagarise			C. Kagarise BYE	1049	4	C. Kagarise F 2:29									
BYE															

L1629 K. Pearce DEC 4-3	1834	5th	K. Pearce DEC 2-0 SV
L1630 B. Schneck DEC 5-4			

L1355 D. Overton MD 12-3	1835	7th	C. Kagarise DEC 9-4
L1356 C. Kagarise DEC 4-0			

MD-MAWA Eastern Nationals

Junior

66

N-1 <b>Rhys Schaffer</b> Bethel, PA	137	R. Schaffer				
W-4 <b>Peter Adams</b> Punxsutawney, PA	14	MD 14-0	<b>616</b>	D. Gendel		
E-3 <b>Dennis Gendel</b> Englishtown, NJ	138	D. Gendel	14	DEC 5-3		
S-2 <b>Philip Mastrippolito V</b> Lincoln University, PA	9	MD 14-0			<b>1357</b>	C. Tsikerdanos
E-2 <b>Luke Pluchino</b> Flemington, NJ	139	L. Pluchino			13	MD 9-0
S-3 <b>Luke Dickerson</b> Georgetown, DE	3	F 0:51	<b>617</b>	C. Tsikerdanos		
N-4 <b>Liam Warner</b> Milan, PA	140	C. Tsikerdanos	10	F 0:48		
W-1 <b>Caleb Tsikerdanos</b> Frederick, MD	13	F 0:45				<b>1840</b>
E-1 <b>Chael Wawrzynowicz</b> Lebanon, CT		C. Wawrzynowicz				1
BYE		BYE	<b>618</b>			
W-3 <b>Rocky Johnson</b> Lewistown, PA	141	Z. Ewis	12	DEC 2-0		
N-2 <b>Zaidan Ewis</b> Plains, PA	8	DEC 1-0			<b>1358</b>	C. Wawrzynowicz
W-2 <b>Cooper Boland</b> York, PA	142	C. Boland			7	MD 8-0
N-3 <b>Tucker Shutt</b> Mohnton, PA	6	DEC 3-2	<b>619</b>	C. Boland		
E-4 <b>Marcello Bari</b> Hasbrouck Heights, NJ	143	A. Tsanev	7	F 0:43		
S-1 <b>Alex Tsanev</b> Parkton, MD	4	MD 9-0				

L137 P. Adams	<b>620</b>	P. Adams				
L138 P. Mastrippolito		F 0:35	<b>1050</b>	A. Tsanev		
		L619	2	DEC 5-2		
L139 L. Dickerson	<b>621</b>	L. Warner			<b>1359</b>	A. Tsanev
L140 L. Warner	13	MD 8-0	<b>1051</b>	Z. Ewis	11	DEC 5-0
		L618	4	MD 12-2		<b>1631</b>
		BYE				D. Gendel
		L617				2
L141 R. Johnson		R. Johnson				
		BYE	<b>1052</b>	L. Pluchino		
		L617	9	F 2:42		
L142 T. Shutt	<b>622</b>	T. Shutt			<b>1360</b>	R. Schaffer
	10	F 1:54	8	DEC 4-0		
L143 M. Bari		R. Schaffer	<b>1053</b>	R. Schaffer		
		L616	10	DEC 6-0		<b>1632</b>
						R. Schaffer
						F 2:36
						<b>1837</b>
						12
						R. Schaffer
						3rd
						MD 14-4

L1631 A. Tsanev		C. Boland				
	DEC 2-0	<b>1838</b>				
L1632 C. Boland	13	F 0:46				
	F 2:36					

L1359 Z. Ewis		Z. Ewis				
	DEC 5-0	<b>1839</b>				
L1360 L. Pluchino	4	DEC 8-3				
	DEC 4-0					

MD-MAWA Eastern Nationals

Junior

70

N-1	<b>Nelson Villafane</b> Taylor, PA	144	N. Villafane				
S-4	<b>Troy Plankenhorn</b> Middletown, MD	11	TF 21-3 2:25			623 11	N. Villafane F 0:26
E-3	<b>Noah Desmond</b> Wind Gap, PA	145	N. Desmond				
S-2	<b>Jacob Wills</b> Odenton, MD	5	MD 12-1				
E-2	<b>Liam Arroyo</b> Passaic, NJ	146	L. Arroyo				
S-3	<b>Wesley Vincent</b> Walkersville, MD	8	F 1:56			624 9	L. Arroyo DEC 4-2 SV
N-6	<b>Wesley Renninger</b> Wernersville, PA	147	J. Larocco				
W-1	<b>Jojo Larocco</b> York, PA	1	MD 9-1				
E-1	<b>A J Slominsky</b> Harrington Park, NJ	148	A. Slominsky				
S-4	<b>Colten Johnson</b> Columbia, MD	7	F 0:28			625 8	A. Slominsky MD 12-1
W-3	<b>Ryan Boardman</b> Shippensburg, PA	149	P. Full				
N-3	<b>Parker Full</b> Clarks Summit, PA	6	DEC 6-2				
W-2	<b>Wyatt Kiner</b> Mt. Holly Springs, PA	150	S. Maiorana				
N-4	<b>Salvatore Maiorana</b> Muncy, PA	10	DEC 4-0			626 9	N. Hoskin DEC 3-0
BYE			N. Hoskin				
S-1	<b>Nicholas Hoskin</b> Sicklerville, NJ		BYE				

1361 3	N. Villafane DEC 2-1 SV
1844 5	N. Villafane 1st DEC 3-0

1362 10	A. Slominsky DEC 5-0
------------	-------------------------

L144	T. Plankenhorn	627	T. Plankenhorn				
L145	J. Wills	10	MD 12-2	1054	S. Maiorana		
			L626	S. Maiorana	8	DEC 2-1	
L146	W. Vincent	628	W. Renninger			1363 4	P. Full F 1:42
L147	W. Renninger	6	DEC 6-2 SV	1055	P. Full		
			L625	P. Full	13	F 1:52	
L148	C. Johnson	629	R. Boardman				
L149	R. Boardman	6	DEC 3-0	1056	J. Larocco		
			L624	J. Larocco	7	DEC 5-1	
L150	W. Kiner		BYE			1364 2	J. Larocco DEC 4-2
	BYE		BYE				
			L623	N. Desmond	2	DQ 1:59	
				1057	N. Desmond		

L1633	L. Arroyo		DEC 3-2	1842	N. Hoskin		
					5th		
L1634	N. Hoskin	3	DEC 2-0 SV		DEC 4-2		

L1363	S. Maiorana		F 1:42	1843	N. Desmond		
					7th		
L1364	N. Desmond		DEC 4-2		F 1:55		

MD-MAWA Eastern Nationals

Junior

74

N-1 <b>Zavier Olver</b> Damascus, PA	151	2	Z. Olver MD 9-0	630	14	Z. Olver F 1:46	1365	1	Z. Olver F 3:00 SV	1848	11	M. Mannello 1st MD 9-1
W-6 <b>Braydyn Wenerick</b> East Freedom, PA												
E-4 <b>Maddox Millan</b> Columbus, NJ	152	12	A. Isam DEC 8-5									
S-2 <b>Andrew Isam</b> Baltimore, MD												
E-3 <b>Jamison Hempstead</b> Tannersville, NJ	153	14	J. Hempstead DEC 8-1	631	10	N. Hewitt DEC 6-2						
S-3 <b>Andrew Uszenski</b> Montgomery, NY												
N-4 <b>Bentley Ficks</b> Milton, PA	154	9	N. Hewitt DEC 7-1									
W-1 <b>Nolan Hewitt</b> Bellwood, PA												
E-2 <b>Jeremy McKinney</b> Souderton, PA	155	3	J. McKinney DEC 8-4	632	6	G. Fisher MD 9-0	1366	14	M. Mannello DEC 2-0			
S-4 <b>Joshua Lawson</b> Harrington, DE												
W-3 <b>Gabriel Fisher</b> Jersey Shore, PA	156	2	G. Fisher F 1:30									
N-2 <b>Chris Pulis</b> Brewerton, NY												
W-2 <b>Ben Jordan</b> Uniontown, OH	157	5	B. Jordan DEC 1-0	633	12	M. Mannello MD 9-0						
N-3 <b>Gavin Guy</b> Delhi, NY												
BYE												
S-1 <b>Marcarlo Mannello</b> Hawthorne, NY			M. Mannello BYE									

L151	B. Wenerick	634	B. Wenerick	1058	4	B. Jordan DEC 4-0	1367	10	J. McKinney DEC 3-0	1635	6	N. Hewitt DEC 4-2	1845	6	N. Hewitt 3rd DEC 2-0 SV
L152	M. Millan	13	DEC 5-4												
L153	A. Uszenski	635	A. Uszenski	1059	8	J. McKinney DEC 6-0									
L154	B. Ficks	9	DEC 4-2 SV												
L155	J. Lawson	636	C. Pulis	1060	8	C. Pulis DEC 7-0	1368	5	C. Pulis DEC 5-2	1636	12	G. Fisher DEC 8-7			
L156	C. Pulis	8	MD 12-0												
L157	G. Guy		BYE	1061	5	G. Guy F 0:43									
L	BYE														

L1635	J. McKinney	DEC 4-2	1846	9	C. Pulis 5th DEC 7-0
L1636	C. Pulis	DEC 8-7			

L1367	B. Jordan	DEC 3-0	1847	10	B. Jordan 7th F 3:00
L1368	G. Guy	DEC 5-2			

MD-MAWA Eastern Nationals

Junior

78

W-1 <b>Joey Miller</b> Jersey Shore, PA	158	J. Miller				
W-4 <b>Presley Green</b> Fairfield, PA	13	F 1:57		<b>637</b>	11	J. Miller F 4:30 UTB
E-3 <b>James Knox</b> Schwenksville, PA	159	J. Knox				
S-2 <b>Blake Kirby</b> Carlisle, PA	8	DEC 2-0 SV				
E-2 <b>Devin Barkmeyer</b> Norristown, PA	160	T. DiCicco				
E-4 <b>Thor DiCicco</b> Nottingham, PA	14	DEC 6-4 SV		<b>638</b>	6	J. Danko F 1:22
N-6 <b>Joseph Fleming</b> Milford, PA	161	J. Danko				
W-1 <b>James Danko</b> Jefferson Hills, PA	4	F 2:28				
E-1 <b>Ryan Panza</b> Howell, NJ		R. Panza				
BYE		BYE		<b>639</b>	13	B. Jackson DEC 2-1
W-3 <b>Bentley Jackson</b> Shermans Dale, PA	162	B. Jackson				
N-2 <b>Benjamin Kamertz</b> Landenberg, PA	10	DEC 2-0				
W-2 <b>Reese Johnson</b> York, PA	163	R. Johnson				
N-4 <b>Conner Gordner</b> Unityville, PA	7	F 2:43		<b>640</b>	14	L. Seramone F 0:56
E-4 <b>Leonardo Spagnuolo</b> East Hanover, NJ	164	L. Seramone				
S-1 <b>Luca Seramone</b> Bear, DE	6	DEC 6-0				
						<b>1369</b> 12
						J. Danko DEC 1-0 SV
						<b>1852</b> 10
						L. Seramone 1st DEC 3-2

L158 P. Green	641	B. Kirby				
L159 B. Kirby	10	DEC 4-2	<b>1062</b>	R. Johnson		
		L640 R. Johnson 1		DEC 4-0		
L160 D. Barkmeyer	642	D. Barkmeyer				
L161 J. Fleming	6	DEC 7-5	<b>1063</b>	D. Barkmeyer	<b>1371</b>	R. Johnson F 0:26
		L639 R. Panza 8		DEC 6-5	1	<b>1637</b> 4
		BYE				J. Miller DEC 7-1
L162 B. Kamertz		B. Kamertz				
		BYE	<b>1064</b>	B. Kamertz		
		L638 T. DiCicco 11		DEC 1-0 UTB		
L163 C. Gordner	643	L. Spagnuolo				
L164 L. Spagnuolo	6	DEC 9-2	<b>1065</b>	J. Knox	<b>1372</b>	J. Knox DEC 5-0
		L637 J. Knox 14		DEC 7-5	6	<b>1638</b> 2
						B. Jackson DEC 7-2
						<b>1849</b> 12
						J. Miller 3rd F 2:00

L1637 R. Johnson	DEC 7-1	<b>1850</b>	J. Knox
L1638 J. Knox	13	5th	DEC 3-0
	DEC 7-2		

L1371 D. Barkmeyer	F 0:26	<b>1851</b>	B. Kamertz
L1372 B. Kamertz	14	7th	DEC 1-0
	DEC 5-0		



MD-MAWA Eastern Nationals

Junior

82

N-1 <b>David Wehry</b> Ashland, PA	165	11	D. Wehry	MD 13-2	644	7	D. Wehry	F 0:53	1373	8	B. Boardman	F 0:33	1856	2	V. Mannello	1st	DEC 6-0
W-4 <b>David Long</b> McKees Rocks, PA																	
E-4 <b>George Jolley</b> Norwich, CT	166	3	K. Pellegrino	DEC 6-0													
S-2 <b>Kurt Pellegrino</b> Point Pleasant, NJ																	
E-3 <b>Chase Millan</b> Columbus, NJ	167	12	C. Millan	DEC 8-5	645	12	B. Boardman	F 1:29									
S-3 <b>Lucas Hefner</b> Street, MD																	
BYE			B. Boardman	BYE													
W-1 <b>Braden Boardman</b> Shippensburg, PA																	
E-1 <b>Cole Buffler</b> Pottstown, PA	168	1	C. Buffler	MD 9-0	646	11	C. Buffler	MD 10-2	1374	13	V. Mannello	MD 13-5					
N-4 <b>Blake Hess</b> Benton, PA																	
W-3 <b>Sawyer Albert</b> Milroy, PA	169	12	J. McKeown	MD 12-1													
N-2 <b>J P McKeown</b> Bearcreek Twp, PA																	
W-2 <b>Noel Risacher</b> Sewickley, PA	170	13	D. Telesky	DEC 5-2	647	8	V. Mannello	MD 9-0									
N-3 <b>Drew Telesky</b> Norwich, NY																	
BYE			V. Mannello	BYE													
S-1 <b>Vincenzo Mannello</b> Hawthorne, NY																	

L165	D. Long	648	9	D. Long	DEC 8-2	1066	9	D. Telesky	DEC 9-2	1375	9	D. Telesky	DEC 9-5	1639	D. Wehry	F 0:56	1853	13	C. Buffler	3rd	DEC 7-2
L166	G. Jolley			D. Telesky																	
L167	L. Hefner			L. Hefner																	
L168	B. Hess	649	10	S. Albert	DEC 4-2	1068	11	C. Millan	DEC 1-0												
L169	S. Albert			C. Millan																	
L170	N. Risacher			N. Risacher																	
L171	BYE			BYE																	
L172				1069	4	K. Pellegrino	DEC 4-2 SV	L1374	C. Buffler	4	MD 8-0										
L173																					

L1639	D. Telesky	F 0:56	1854	5th	K. Pellegrino	DEC 6-2
L1640	K. Pellegrino					MD 8-0

L1375	L. Hefner	DEC 9-5	1855	7th	C. Millan	DEC 7-0
L1376	C. Millan		4			DEC 2-0

MD-MAWA Eastern Nationals

Junior

86

N-1 <b>Hunter Harvey</b> Trout Run, PA		H. Harvey					
BYE		BYE					
E-3 <b>Marco Lettini</b> Clark, NJ	171	C. Hoopes	DEC 7-1	650	13	C. Hoopes	MD 14-4
S-2 <b>Colin Hoopes</b> Turnersville, NJ	10						
E-2 <b>Harrison Osborne</b> Wayne, PA	172	K. Crowell	DEC 5-0	651	11	C. Olson	DEC 2-0 SV
S-3 <b>Kellan Crowell</b> Egg Harbor Township, NJ	3						
N-4 <b>Hunter Gregg</b> Hamburg, PA	173	C. Olson	DEC 9-3	652	7	J. Jackson	DEC 4-1
W-2 <b>Camden Olson</b> Munhall, PA	4						
S-1 <b>Jeremy Jackson</b> Sicklerville, NJ		J. Jackson					
BYE		BYE					
W-6 <b>Tyhieme Bell</b> Gettysburg, PA	174	T. Bell	DEC 8-5	653	12	J. Brattelli	DEC 4-2
N-2 <b>Bryan Agulis</b> Stockton, NJ	9						
W-3 <b>Kaden Husich</b> Saxton, PA	175	K. Husich	F 1:21	654	6	C. Hoopes	F 1:26
N-3 <b>Kaleb Collae</b> Orangeville, PA	2						
E-4 <b>Jackson Lamotta</b> Malvern, PA	176	J. Brattelli	MD 10-1	655	8	J. Jackson	F 2:51
S-1 <b>Johnny Brattelli</b> Ashburn, VA	13						

1377	4	C. Olson	F 0:48	1860	5	J. Brattelli	1st	DEC 4-3
1378	5	J. Brattelli	DEC 4-0					

L171	M. Lettini	BYE		1070	9	K. Husich	DEC 2-0	
L172	H. Osborne	L653						
L173	H. Gregg	6	H. Osborne	MD 11-0	1071	1	T. Bell	MD 9-0
L174	B. Agulis	BYE		1072	10	K. Crowell	DEC 5-2	
L175	K. Collae	655	K. Collae	MD 8-0	1073	14	H. Harvey	DEC 7-2
L176	J. Lamotta	8						

L1641	K. Husich	F 1:26	1858	5th	K. Husich		
L1642	K. Collae	9					

L1379	T. Bell	DEC 2-0	1859	7th	K. Crowell		
L1380	K. Crowell	14					

N-1 **Hunter Ammerman**

Blandburg, PA		H. Ammerman	
BYE		BYE	<b>656</b>

MD-MAWA Eastern Nationals

Junior

91

W-5 **Faith Gladfelter**

York, PA	<b>177</b>	A. Beavers	MD 13-0
----------	------------	------------	---------

S-3 **Ayden Beavers**

Owings, MD	<b>8</b>		
------------	----------	--	--

E-2 **Parker Humphrey**

Pennington, NJ	<b>178</b>	P. Humphrey	DEC 3-2
----------------	------------	-------------	---------

S-4 **Corey Rivera**

Paulsboro, NJ	<b>5</b>		
---------------	----------	--	--

N-4 **Joshua Salvaterra**

Dallas, PA	<b>179</b>	C. Harter	F 1:42
------------	------------	-----------	--------

W-1 **Colin Harter**

Howard, PA	<b>1</b>		
------------	----------	--	--

E-1 **Charlie Dunbar**

Downingtown, PA	<b>180</b>	C. Dunbar	F 0:20
-----------------	------------	-----------	--------

S-5 **Lucas Gingrich**

Betlin, NJ	<b>6</b>		
------------	----------	--	--

W-4 **Kadeen Edwards**

Buckhannon, WV	<b>181</b>	G. Foster	MD 16-4
----------------	------------	-----------	---------

N-2 **Gryphon Foster**

Bainbridge, NY	<b>14</b>		
----------------	-----------	--	--

W-3 **Kaiden Pomraning**

Felton, PA	<b>182</b>	K. Pomraning	F 2:56
------------	------------	--------------	--------

N-3 **Keaton Brokenshire**

Millville, PA	<b>7</b>		
---------------	----------	--	--

E-5 **Jake Kroope**

Allentown, PA	<b>183</b>	R. Kowalczyk	DEC 5-0
---------------	------------	--------------	---------

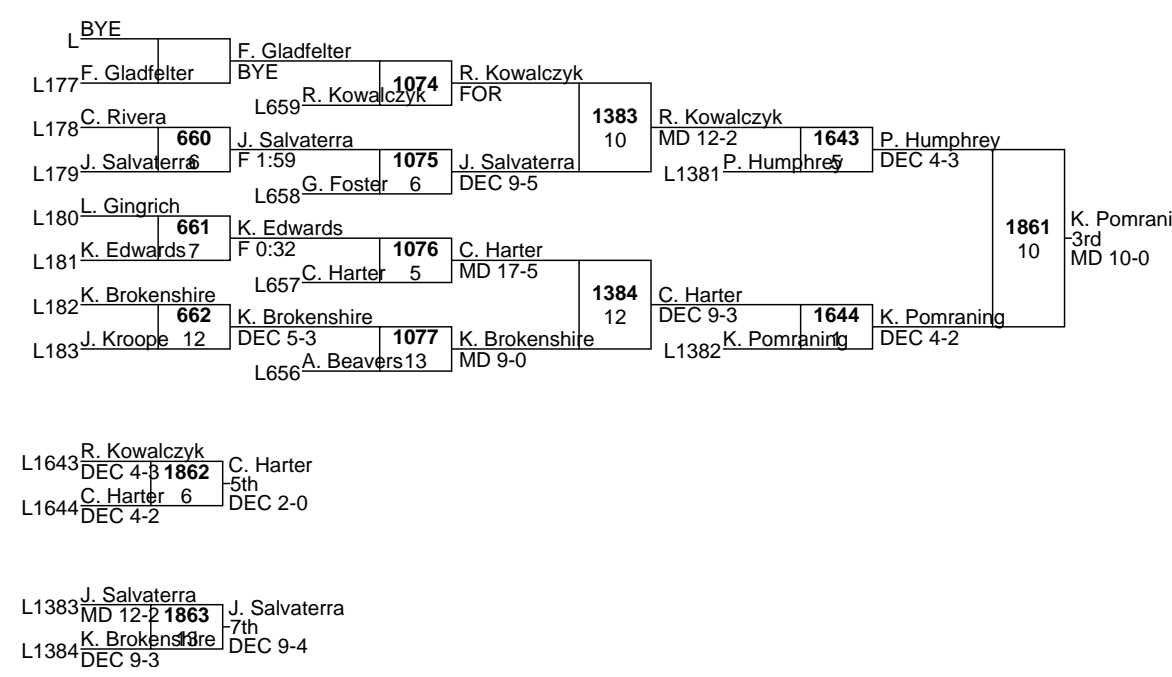
S-2 **Ryan Kowalczyk**

Burlington, NJ	<b>11</b>		
----------------	-----------	--	--

L	BYE						
L177	F. Gladfelter	BYE	<b>1074</b>	R. Kowalczyk	FOR		
L178	C. Rivera	L659		<b>1383</b>	R. Kowalczyk	MD 12-2	<b>1643</b>
L179	J. Salvaterra	F 1:59	<b>1075</b>	J. Salvaterra	L1381	P. Humphrey	DEC 4-3
L180	L. Gingrich	L658	G. Foster	6			
L181	K. Edwards	F 0:32	<b>1076</b>	C. Harter			
L182	K. Brokenshire	L657	C. Harter	5	MD 17-5	<b>1384</b>	C. Harter
L183	J. Kroope	DEC 5-3	<b>1077</b>	K. Brokenshire	MD 9-0	L1382	K. Pomraning
		L656	A. Beavers	13			

L1643	R. Kowalczyk	DEC 4-3	<b>1862</b>	C. Harter	5th
L1644	C. Harter	6		DEC 2-0	
		DEC 4-2			

L1383	J. Salvaterra	MD 12-2	<b>1863</b>	J. Salvaterra	7th
L1384	K. Brokenshire	DEC 9-3		DEC 9-4	



**1864**  
3  
C. Dunbar  
1st  
F 2:40

**1861**  
10  
K. Pomraning  
3rd  
MD 10-0

MD-MAWA Eastern Nationals

Junior

98

N-1 <b>Hunter Watson</b> Columbia Cross Rds, PA	184	H. Watson				
W-4 <b>Sam Kline</b> Jonestown, PA	13	TF 15-0 3:00		<b>663</b>	H. Watson	
E-4 <b>Daniel Rineer</b> Quarryville, PA	185	J. Hedrick		11	DEC 5-0	
S-3 <b>James Hedrick</b> Augusta, WV	10	DEC 5-0				
E-3 <b>Jordan Kadir</b> Toms River, NJ	186	J. Kadir				
N-4 <b>Danny Salvaterra</b> Landenberg, PA	8	MD 9-0		<b>664</b>	J. Wasnieski	
N-4 <b>Blake Edgar</b> Millville, PA	187	J. Wasnieski		14	DEC 5-0	
W-1 <b>Joshua Wasnieski</b> Moon Twp, PA	7	MD 11-0				
E-1 <b>Luke Frankovits</b> Little Falls, NJ	188	L. Frankovits				
S-5 <b>A J Holmes</b> Clayton, NJ	4	TF 15-0 2:00		<b>665</b>	L. Frankovits	
W-3 <b>Jacob Lawrence</b> Stewartstown, PA	189	J. Lawrence		7	TF 16-0 2:15	
N-2 <b>Braylon Alicea</b> East Stroudsburg, PA	2	DEC 2-0				
W-2 <b>Noah Beacom</b> Robinson, PA	190	N. Beacom				
N-3 <b>Tyler Ruf</b> Hamburg, PA	12	DEC 7-1		<b>666</b>	B. Biggs	
E-5 <b>Vladimir Cesar</b> Holmes, PA	191	B. Biggs		10	DEC 4-2	
S-1 <b>Brayden Biggs</b> King George, VA	3	DEC 6-0				

<b>1385</b>	1	J. Wasnieski	MD 9-0
<b>1386</b>	7	L. Frankovits	F 2:31
<b>1868</b>	5	J. Wasnieski	1st F 4:30 UTB

L184	S. Kline	<b>667</b>	S. Kline			
L185	D. Rineer	9	MD 8-0	<b>1078</b>	N. Beacom	
			L666	N. Beacom	11	DEC 2-1
L186	D. Salvaterra	<b>668</b>	B. Edgar		<b>1387</b>	N. Beacom
			DEC 5-4		3	DEC 7-2
L187	B. Edgar	14	DEC 5-4	<b>1079</b>	J. Lawrence	
			L665	J. Lawrence	2	DEC 4-0
L188	A. Holmes	<b>669</b>	B. Alicea			
			F 0:59			
L189	B. Alicea	13	F 0:59	<b>1080</b>	B. Alicea	
			L664	J. Kadir	7	MD 10-0
L190	T. Ruf	<b>670</b>	T. Ruf		<b>1388</b>	B. Alicea
			F 0:49		4	DEC 4-0
L191	V. Cesar	12	F 0:49	<b>1081</b>	J. Hedrick	
			L663	J. Hedrick	3	DEC 4-2
						<b>1645</b>
						H. Watson
						3
						MD 9-0
						<b>1865</b>
						4
						H. Watson
						3rd
						F 0:55

L1645	N. Beacom	MD 9-0	<b>1866</b>	B. Biggs
				5th
L1646	B. Biggs	14	F 1:24	
			F 4:30 UTB	

L1387	J. Lawrence	DEC 7-2	<b>1867</b>	J. Lawrence
				7th
L1388	J. Hedrick	9	DEC 3-0	
			DEC 4-0	

MD-MAWA Eastern Nationals

Junior

108

N-1	<b>Noah Hicks</b> South Williamsport, PA	192	9	N. Hicks	DEC 6-4	671	6	C. Brown	DEC 5-0	1389	6	M. Abdallah	DEC 9-2	1872	3	A. Dalessio	1st	DEC 2-0
W-4	<b>Liam Snook</b> Boiling Springs, PA																	
E-3	<b>Caleb Brown</b> Chester, NY	193	5	C. Brown	MD 12-0													
S-2	<b>Asher Anthony</b> Disputanta, VA																	
E-2	<b>Mahdi Abdallah</b> Butler, NJ	194	11	M. Abdallah	F 1:00	672	8	M. Abdallah	DEC 6-3									
S-3	<b>Michael Schuda</b> Sicklerville, NJ																	
	BYE																	
W-1	<b>Gannon Beach</b> Seven Valleys, PA			G. Beach	BYE													
E-1	<b>Anthony Dalessio</b> Manasquan, NJ	195	6	A. Dalessio	F 0:38	673	11	A. Dalessio	TF 18-1 2:00	1390	13	A. Dalessio	DEC 5-4					
S-4	<b>Noah Lewis</b> Georgetown, DE																	
W-3	<b>Gavin Morder</b> Huntingdon, PA	196	14	G. Morder	DEC 2-0													
N-2	<b>Hunter Kapitula</b> Harveys Lake, PA																	
W-2	<b>Ben Fortner</b> Glen Rock, PA	197	4	B. Fortner	F 0:55	674	7	D. Dorell	DEC 7-3									
N-4	<b>Carter Sgouris</b> Cazenovia, NY																	
E-4	<b>J P May</b> Nazareth, PA	198	7	D. Dorell	DEC 5-0													
S-1	<b>Dometrius Dorell</b> Milford, DE																	

L192	L. Snook	675	9	A. Anthony	DEC 8-6	1082	13	B. Fortner	DEC 2-0	1391	8	B. Fortner	DEC 8-2	1647	10	C. Brown	DEC 6-0	1869	12	D. Dorell	3rd	DEC 4-3	
L193	A. Anthony																						
L194	M. Schuda			M. Schuda	BYE	1083	8	M. Schuda	DEC 2-0 SV	L1389													
L195	N. Lewis	676	10	H. Kapitula	F 2:31	1084	2	G. Beach	DEC 7-1														
L196	H. Kapitula																						
L197	C. Sgouris	677	7	J. May	F 1:56	1085	13	J. May	DEC 3-0 SV	L1390													
L198	J. May																						

L1647	B. Fortner	DEC 6-0	1870	B. Fortner	5th	DEC 4-0
L1648	G. Beach	1				

L1391	M. Schuda	DEC 8-2	1871	J. May	7th	MD 13-0
L1392	J. May	11				

MD-MAWA Eastern Nationals

Junior

120

N-1 <b>Arturo Reyes</b> Mahanoy City, PA		A. Reyes					
BYE		BYE		678	A. Reyes	DEC 2-0	
E-3 <b>Jaysel Torres</b> West Lawn, PA	199	A. Ramsey		6			
S-2 <b>Anthony Ramsey</b> New Castle, DE	2	F 1:19					
E-2 <b>Cristiano Fardella</b> Gilbertsville, PA	200	A. Kimball					
S-3 <b>Andrew Kimball</b> Millington, MD	13	DEC 5-0		679	T. Krebs	DEC 2-0	
N-4 <b>Chayce Scampone</b> Muncy, PA	201	T. Krebs		12			
W-1 <b>Tj Krebs</b> Seven Valleys, PA	8	F 1:44					
E-1 <b>Amir Perry</b> Passaic, NJ	202	A. Perry					
S-4 <b>Bradley Thompson</b> Wilmington, DE	3	MD 12-0		680	A. Perry	F 0:46	
W-3 <b>Layne Fleming</b> Shippensburg, PA	203	L. Fleming		13			
N-2 <b>Bridger Lehman</b> Millerton, PA	12	DEC 3-2					
W-2 <b>Collin Havers</b> Youngsville, PA	204	C. Havers					
N-3 <b>Trenton Anderson</b> Sherburne, PA	10	DEC 6-2		681	C. Havers	DEC 6-2	
E-4 <b>Tyson Cosgrove</b> Gibbstown, NJ	205	J. Stubblefield		10			
S-1 <b>Jake Stubblefield</b> Warrenton, VA	2	F 1:34					

1393	5	T. Krebs	DEC 5-1
1394	9	C. Havers	DEC 4-2
1876	6	T. Krebs	1st DEC 7-3

L199	J. Torres	BYE	J. Torres	BYE	1086	J. Stubblefield	MD 11-0
L200	C. Fardella	682	C. Fardella	L681	J. Stubblefield	2	J. Stubblefield DEC 5-1
L201	C. Scampone	684	F 1:37	1087	L. Fleming	DEC 4-2	L1393 A. Reyes 7 DEC 4-0
L202	B. Thompson	683	B. Lehman	L680	L. Fleming	6	
L203	B. Lehman	8	F 1:48	1088	A. Kimball	DEC 9-2	1873 10 A. Perry 3rd DEC 6-4
L204	T. Anderson	684	T. Anderson	L679	A. Kimball	1	1396 12 A. Kimball DEC 3-0
L205	T. Cosgrove	6	F 1:45	1089	A. Ramsey	F 2:20	L1394 A. Perry 3 DEC 1-0 SV
L1649	J. Stubblefield	DEC 4-0	J. Stubblefield	5th FOR	1874		
L1650	A. Kimball	DEC 1-0 SV					

L1395	L. Fleming	DEC 5-1	1875	A. Ramsey	7th
L1396	A. Ramsey	DEC 3-0	4	A. Ramsey	DEC 5-1

MD-MAWA Eastern Nationals

Junior

140

N-1 <b>Mason Castillo</b> Reading, PA		M. Castillo					
BYE		BYE					
E-3 <b>Kristian Kohn</b> Pottstown, PA	206	K. Kohn	685	11	K. Kohn	F 1:00	
S-2 <b>Preston Furl</b> Lusby, MD	9	DEC 7-0					
E-2 <b>Robert Desantis</b> Oaks, PA		R. Desantis					
BYE		BYE					
N-4 <b>Mason Buchanan</b> Bainbridge, NY	207	M. Hopkins	686	7	M. Hopkins	DEC 6-0	
W-2 <b>Mason Hopkins</b> Whitehall, PA	11	MD 13-0					
E-1 <b>Giovanni Quiles</b> Norwich, CT		G. Quiles					
BYE		BYE					
W-4 <b>Nace Krynski</b> Munhall, PA	208	M. Dobson	687	9	G. Quiles	DEC 8-1	
N-2 <b>Mekhi Dobson</b> Johnson City, NY	6	DEC 7-0					
W-3 <b>Gabe Martin</b> Seven Valleys, PA	209	N. Caufield					
N-3 <b>Nathan Caufield</b> Lake Ariel, PA	7	F 2:51					
E-5 <b>Colt Witman</b> Robesonia, PA	210	N. Baker	688	10	N. Baker	F 1:24	
S-1 <b>Nolen Baker</b> Oak Hill, VA	1	F 1:23					

1397	4	M. Hopkins	DEC 9-2
1398	10	N. Baker	F 2:39
1880	2	M. Hopkins	1st DEC 5-2

L206	BYE	P. Furl	BYE	1090	N. Caufield	DEC 7-2	
			L688	N. Caufield 4			
L207	BYE	M. Buchanan	BYE	1091	M. Buchanan	DEC 4-2	
			L687	M. Dobson 12			
L208	BYE	N. Krynski	BYE	1092	N. Krynski	DEC 6-4 SV	
			L686	R. Desantis 10			
L209	G. Martin	689	G. Martin	1400	G. Martin	MD 11-0	
			L685	M. Castillo 7			
L210	C. Witman	12	1093	G. Martin	4	MD 8-0	
			L685	M. Castillo 7			

L1651	N. Caufield	DEC 7-0	1878	G. Martin	5th
L1652	G. Martin	9		F 1:31	

L1399	M. Buchanan	DEC 5-0	1879	N. Krynski	7th
L1400	N. Krynski	4		DEC 2-0 SV	

MD-MAWA Eastern Nationals

Junior

166

S-1 <b>Noah Teague</b> Milford, VA	BYE	N. Teague	BYE	690	13	N. Teague DEC 3-0			
W-3 <b>Caden Carson</b> Herdon, PA	211	J. Henning	MD 11-1				1401	7	
N-4 <b>Jordan Henning</b> Scott Twp, PA	14								
N-1 <b>Daniel Schadle</b> Pine Grove, PA	BYE	D. Schadle	BYE	691	14	D. Schadle F 0:41			
W-2 <b>Blake Reckart</b> Oakland, MD	BYE	B. Reckart	BYE						
W-1 <b>Knox Dibert</b> Roaring Spring, PA	BYE	K. Dibert	BYE	692	6	E. Tarantino DEC 7-4			
N-2 <b>Evan Tarantino</b> Greentown, PA	BYE	E. Tarantino	BYE				1402	14	
W-4 <b>Nicholas Baptiste</b> Fawn Grove, PA	212	T. Pratt	F 0:52						
N-5 <b>Tyler Pratt</b> Conastota, NY	13			693	12	E. Schonrog F 1:48			
E-1 <b>Ezrah Schonrog</b> Charlestown, RI	BYE	E. Schonrog	BYE						

1884  
11  
E. Schonrog  
1st  
DEC 7-5 SV

L211	BYE	C. Carson	BYE	1094	3	C. Carson F 2:54			
	BYE	L693	T. Pratt				1403	6	
	BYE	BYE	BYE						
	BYE	L692	K. Dibert				1653	7	
	BYE	BYE	BYE						
	BYE	L691	B. Reckart						
L212	N. Baptiste	BYE	BYE	1404	1	J. Henning F 0:23			
	BYE	N. Baptiste	BYE	1095		J. Henning F 0:59			
	BYE	L690	J. Henning 2				1654	1	

1881  
14  
N. Teague  
3rd  
F 2:55

L1653	K. Dibert	DEC 4-1	1882	K. Dibert	5th	DEC 2-0
L1654	E. Tarantino	DEC 2-1				

L1403	C. Carson	MD 12-0	1883	C. Carson	7th	DEC 8-6
L1404	B. Reckart	F 0:23				



MD-MAWA Eastern Nationals

Intermediate

75

<b>E-1. Forest Rose</b> Princeton, NJ BYE		F. Rose BYE	<b>694</b> 11	F. Rose F 1:29				
<b>N-4. Garrett Bacorn</b> South Williamsport, PA <b>S-4. Jaxson Cruz</b> Ocean View, NJ	<b>213</b> 6	G. Bacorn F 2:59				<b>1405</b> 13	F. Rose DEC 5-1	
<b>W-3. Luke Bucheimer</b> Boonsboro, MD <b>E-4. Anthony LaBella</b> South Plainfield, NJ BYE	<b>214</b> 5	L. Bucheimer F 0:29	<b>695</b> 13	D. Schuman DEC 5-2				
<b>N-1. Dominic Schuman</b> Honesdale, PA <b>W-1. Mason Keesecker</b> Munhall, PA BYE		D. Schuman BYE						<b>1888</b> 3
<b>E-3. Casey Pekula</b> Williamstown, NJ <b>N-2. David Krantz</b> Pittston, PA	<b>215</b> 8	C. Pekula F 2:27	<b>696</b> 7	C. Pekula DEC 2-1		<b>1406</b> 11	J. Haliburton DEC 5-2	J. Haliburton 1st DEC 5-3 SV
<b>E-2. Samuel Floody</b> North Kingstown, RI <b>N-3. Mason Greene</b> Wellsboro, PA BYE	<b>216</b> 4	S. Floody F 0:40	<b>697</b> 8	J. Haliburton DEC 3-2				
<b>S-1. Jamen Haliburton</b> Middletown, DE		J. Haliburton BYE						

L213	J. Cruz	J. Cruz	BYE	<b>1096</b>	S. Floody			
L214	A. LaBella	A. LaBella	L697	S. Floody 8	F 0:49	<b>1407</b>	S. Floody	
	BYE	BYE	L696	<b>1097</b>	M. Keesecker	F 1:09	L1405	D. Schuman
L215	D. Krantz	D. Krantz	BYE	<b>1098</b>	D. Krantz	DEC 4-3		<b>1885</b>
L216	M. Greene	M. Greene	L695	L. Bucheimer		<b>1408</b>	D. Krantz	S. Floody
	BYE	BYE	L694	<b>1099</b>	G. Bacorn	F 1:28	L1406	3rd DEC 3-2
				G. Bacorn 5	F 1:28	3	F 1:19	
							C. Pekula	
							MD 9-1	

L1655	D. Schuman	D. Schuman	F 2:12	<b>1886</b>	D. Krantz	5th		
L1656	D. Krantz	D. Krantz	MD 9-1		FOR			

L1407	M. Keesecker	M. Keesecker	DEC 5-1	<b>1887</b>	M. Keesecker	7th		
L1408	G. Bacorn	G. Bacorn	F 1:19	2	F 0:52			

E-1. **Chace Armstrong**

Coventry, RI  
BYE

C. Armstrong  
BYE  
698  
9

MD-MAWA Eastern Nationals

Intermediate

80

BYE  
S-2. **Peyton Friedman**  
Veinna, VA

P. Friedman  
BYE

C. Armstrong  
F 4:16  
1409  
8

W-2. **Jayden Black**  
Ortanna, PA  
W-4. **Chase Timmerman**  
Frederick, MD

217  
3  
J. Black  
TF 15-0 3:25  
699  
13

D. Sandy  
TF 18-1 2:57

E-4. **Koen Sola**  
Boyertown, PA  
N-2. **Dakota Sandy**  
Clarks Summit, PA

218  
6  
D. Sandy  
TF 17-2 2:37

D. Sandy  
F 3:29  
1892  
10  
E. Oberheim  
-1st  
DEC 4-2

W-1. **Eli Oberheim**  
Montoursville, PA  
BYE

E. Oberheim  
BYE  
700  
10

E. Oberheim  
TF 16-1 3:46

E-3. **Richard Maloney**  
Old Bridge, NJ  
N-3. **Gavin Young**  
Perry Hall, MD

219  
2  
R. Maloney  
MD 10-2  
701  
14

E. Oberheim  
F 2:34

E-2. **Nolan Coryell**  
Pottstown, PA  
W-3. **Ty Matthews**  
Martinsburg, PA

220  
10  
T. Matthews  
DEC 6-0  
701  
14

N. Adolphson  
DEC 6-0

BYE  
S-1. **Nolan Adolphson**  
Mauretown, VA

N. Adolphson  
BYE

BYE  
BYE

BYE  
BYE  
T. Matthews  
BYE

L217 C. Timmerman  
702  
11  
K. Sola  
F 1:13  
1100  
13  
R. Maloney  
DEC 8-3  
1411  
9  
T. Matthews  
DEC 7-2  
1657  
13  
C. Armstrong  
F 3:13

L218 K. Sola  
BYE  
L700 R. Maloney  
13  
DEC 8-3  
1409 C. Armstrong  
13  
F 3:13

L219 G. Young  
BYE  
L699 J. Black  
1  
DEC 7-0  
1412  
5  
J. Black  
MD 13-0  
1658  
13  
N. Adolphson  
F 1:30

L220 N. Coryell  
BYE  
L698 P. Friedman  
6  
DEC 1-0  
1410 N. Adolphson  
13  
F 1:30

BYE  
BYE  
1102  
6  
P. Friedman  
DEC 1-0  
1410 N. Adolphson  
13  
F 1:30

BYE  
BYE  
1101  
1  
J. Black  
DEC 7-0  
1412  
5  
J. Black  
MD 13-0  
1658  
13  
N. Adolphson  
F 1:30

BYE  
BYE  
1100  
13  
R. Maloney  
DEC 8-3  
1409 C. Armstrong  
13  
F 3:13

BYE  
BYE  
1101  
1  
J. Black  
DEC 7-0  
1412  
5  
J. Black  
MD 13-0  
1658  
13  
N. Adolphson  
F 1:30

BYE  
BYE  
1102  
6  
P. Friedman  
DEC 1-0  
1410 N. Adolphson  
13  
F 1:30

BYE  
BYE  
1100  
13  
R. Maloney  
DEC 8-3  
1409 C. Armstrong  
13  
F 3:13

BYE  
BYE  
1101  
1  
J. Black  
DEC 7-0  
1412  
5  
J. Black  
MD 13-0  
1658  
13  
N. Adolphson  
F 1:30

BYE  
BYE  
1102  
6  
P. Friedman  
DEC 1-0  
1410 N. Adolphson  
13  
F 1:30

BYE  
BYE  
1100  
13  
R. Maloney  
DEC 8-3  
1409 C. Armstrong  
13  
F 3:13

BYE  
BYE  
1101  
1  
J. Black  
DEC 7-0  
1412  
5  
J. Black  
MD 13-0  
1658  
13  
N. Adolphson  
F 1:30

BYE  
BYE  
1102  
6  
P. Friedman  
DEC 1-0  
1410 N. Adolphson  
13  
F 1:30

BYE  
BYE  
1100  
13  
R. Maloney  
DEC 8-3  
1409 C. Armstrong  
13  
F 3:13

BYE  
BYE  
1101  
1  
J. Black  
DEC 7-0  
1412  
5  
J. Black  
MD 13-0  
1658  
13  
N. Adolphson  
F 1:30

BYE  
BYE  
1102  
6  
P. Friedman  
DEC 1-0  
1410 N. Adolphson  
13  
F 1:30

BYE  
BYE  
1100  
13  
R. Maloney  
DEC 8-3  
1409 C. Armstrong  
13  
F 3:13

BYE  
BYE  
1101  
1  
J. Black  
DEC 7-0  
1412  
5  
J. Black  
MD 13-0  
1658  
13  
N. Adolphson  
F 1:30

BYE  
BYE  
1102  
6  
P. Friedman  
DEC 1-0  
1410 N. Adolphson  
13  
F 1:30

BYE  
BYE  
1100  
13  
R. Maloney  
DEC 8-3  
1409 C. Armstrong  
13  
F 3:13

BYE  
BYE  
1101  
1  
J. Black  
DEC 7-0  
1412  
5  
J. Black  
MD 13-0  
1658  
13  
N. Adolphson  
F 1:30

BYE  
BYE  
1102  
6  
P. Friedman  
DEC 1-0  
1410 N. Adolphson  
13  
F 1:30

BYE  
BYE  
1100  
13  
R. Maloney  
DEC 8-3  
1409 C. Armstrong  
13  
F 3:13

BYE  
BYE  
1101  
1  
J. Black  
DEC 7-0  
1412  
5  
J. Black  
MD 13-0  
1658  
13  
N. Adolphson  
F 1:30

1889  
4  
N. Adolphson  
-3rd  
DEC 4-2

MD-MAWA Eastern Nationals

Intermediate

85

E-1. <b>Hunter Webster</b> New Hope, PA	221	12	H. Webster	F 2:02	703	7	H. Webster	DEC 9-7	1413	10	A. Marchetti	F 3:38	1896	14	A. Marchetti	-1st	DEC 6-0
N-4. <b>Bryson Walter</b> New Columbia, PA																	
W-3. <b>Ryder Linker</b> Spring Grove, PA	222	9	B. Lucia	F 4:04													
S-3. <b>Brandon Lucia</b> Sewell, NJ																	
E-2. <b>Desmond Taylor</b> Red Lion, PA	223	7	M. Rankin	DEC 8-1	704	12	A. Marchetti	F 4:30									
E-4. <b>Michael Rankin</b> West Caldwell, NJ																	
BYE																	
N-1. <b>Alex Marchetti</b> Waverly Twp, PA			A. Marchetti	BYE													
W-1. <b>Jordan Piselli</b> Logan Station, PA			J. Piselli	BYE	705	8	J. Piselli	MD 12-4									
BYE																	
E-3. <b>Camren Martinez</b> Allentown, PA	224	11	C. Martinez	DEC 10-4													
N-2. <b>Caleb Schaffer</b> Bethel, PA																	
E-2. <b>Logan Barry</b> Coventry, RI	225	4	L. Barry	DEC 4-0	706	11	R. Morgan	F 6:00 UTB									
N-3. <b>Chase Smith</b> Wilkes Barre, PA																	
BYE																	
S-1. <b>Ryan Morgan</b> Egg Harbor Township, NJ			R. Morgan	BYE													

L221	B. Walter	707	6	B. Walter	F 3:32	1103	10	L. Barry	F 1:04	1415	4	L. Barry	DEC 3-1	1659	7	H. Webster	DEC 2-0	1893	11	J. Piselli	-3rd	MD 14-4	
L222	R. Linker			L. Barry																			
L223	D. Taylor			D. Taylor																			
L	BYE			BYE		1104	4	C. Martinez	DEC 1-0 SV			L1413	H. Webster										
L	BYE			L705	C. Martinez																		
L224	C. Schaffer			C. Schaffer		1105	9	C. Schaffer	DEC 5-2	1416	6	C. Schaffer	DEC 7-3	1660	10	J. Piselli	DEC 8-7						
L225	C. Smith			L704	M. Rankin																		
L	BYE			BYE		1106	7	B. Lucia	DEC 7-2			L1414	J. Piselli										
				L703	B. Lucia																		

L1659	L. Barry	DEC 2-0	1894	L. Barry	5th	DEC 8-3
L1660	C. Schaffer	DEC 8-7				

L1415	C. Martinez	DEC 3-1	1895	C. Martinez	7th	DEC 6-3
L1416	B. Lucia	DEC 7-3				

MD-MAWA Eastern Nationals

Intermediate

90

E-1. <b>John Segata</b> Langhorne, PA	226	2	J. Segata F 1:10	708	14	J. Segata DEC 6-4	1417	14	C. Caines DEC 3-1 SV	1900	4	A. Guerrieri -1st DEC 4-2 UTB
N-4. <b>Ty Patterson</b> Walkkill, NY												
W-4. <b>Jacob Evans</b> Bellwood, PA	227	8	B. Galofaro DEC 7-4									
S-2. <b>Bryson Galofaro</b> Leesburg, VA												
W-2. <b>Shay Krynsinski</b> Munhall, PA	228	13	S. Krynsinski DEC 5-0	709	13	C. Caines MD 13-2						
S-3. <b>Landon Wright</b> Mullica Hill, NJ												
E-4. <b>Liam Suydam</b> Moorestown, NJ	229	11	C. Caines F 0:40									
N-1. <b>C J Caines</b> Hanover Township, PA												
W-1. <b>Layten Bowersox</b> Milroy, PA	230	4	L. Bowersox DEC 7-1	710	11	L. Bowersox DEC 4-0	1418	1	A. Guerrieri DEC 6-0			
S-4. <b>Cole Perrin</b> New Castle, DE												
E-3. <b>Vincent Grippa</b> Hightstown, NJ	231	5	A. Tanzini DEC 6-4 SV									
N-2. <b>Aidan Tanzini</b> Hallstead, PA												
E-2. <b>Jake Conti</b> Westfield, NJ	232	3	J. Smith F 1:55	711	10	A. Guerrieri F 4:02						
N-3. <b>Jacksin Smith</b> Lykens, PA												
W-5. <b>Mason Messner</b> Denver, PA	233	6	A. Guerrieri MD 10-0									
S-1. <b>Austin Guerrieri</b> Seaford, DE												

L226 T. Patterson	712	9	J. Evans MD 12-3	1107	14	J. Evans DEC 6-4 SV	1419	11	L. Wright DEC 5-1	1661	13	J. Segata MD 10-2	1897	1	L. Bowersox -3rd F 3:27
L227 J. Evans															
L228 L. Wright	713	14	L. Wright DEC 10-8	1108	2	L. Wright DEC 2-0									
L229 L. Suydam															
L230 C. Perrin	714	7	C. Perrin DEC 3-2	1109	5	C. Perrin DEC 4-1									
L231 V. Grippa															
L232 J. Conti	715	8	M. Messner DEC 8-4	1110	3	B. Galofaro MD 13-2	1420	8	C. Perrin DEC 4-3	1662	6	L. Bowersox MD 14-4			
L233 M. Messner															

L1661 L. Wright	1898	2	C. Perrin -5th DEC 1-0
L1662 C. Perrin			

L1419 J. Evans	1899	8	B. Galofaro -7th DEC 2-0
L1420 B. Galofaro			

MD-MAWA Eastern Nationals

Intermediate

95

E-1. <b>Grady Moore</b> Philadelphia, PA	234	14	G. Moore TF 16-0 3:56	716	6	G. Moore MD 9-0	1421	3	C. Kosko DEC 4-2	1904	10	G. Oberheim 1st MD 8-0
N-4. <b>Brennan Kline</b> Baldwinsville, NY	235	2	V. Ferguson DEC 6-3	717	11	C. Kosko F 2:00	1422	7	G. Oberheim DEC 4-3			
W-3. <b>Preston Rhodes</b> Charleston, WV	236	10	L. Carreira F 3:44	718	12	G. Oberheim F 0:58						
W-2. <b>Van Ferguson</b> Spring Grove, PA	237	7	C. Kosko DEC 6-0	719	10	D. Spennato F 4:29						
W-2. <b>Jacob Carrozza</b> York, PA	238	8	G. Oberheim F 0:44	720	9	M. Berman F 2:40	1663	1	G. Moore DEC 6-0			
S-3. <b>Logan Carreira</b> Riverside, NJ	239	9	M. Berman F 1:00	721	13	T. Fearon F 2:03	1112	11	M. Berman DEC 2-1			
E-4. <b>Terrence James Fearon</b> Whitehouse Station, NJ	240	12	D. Spennato F 3:44	722	12	B. Lefever DEC 2-0	1113	1	B. Lefever DEC 9-3			
N-1. <b>Caleb Kosko</b> Albrightsville, PA	241	6	Q. Cummings F 2:18	723	4	B. Lefever F 0:32	1664	3	D. Spennato F 1:03			
W-1. <b>Gabe Oberheim</b> Montoursville, PA	242	9	M. Berman F 1:17	724	1	V. Ferguson DEC 9-7	1114	2	V. Ferguson DEC 9-7			
S-4. <b>Benjamin Paley</b> Cape May Court House, NJ	243	1	L. Carreira F 3:44	725	1	L. Carreira DEC 9-3	1115	1	B. Lefever DEC 9-3			
E-3. <b>Max Berman</b> Huntingdon Valley, PA	244	1	L. Carreira F 3:44	726	1	L. Carreira DEC 9-3	1116	1	B. Lefever DEC 9-3			
N-2. <b>Brogan Lefever</b> Oneonta, NY	245	1	L. Carreira F 3:44	727	1	L. Carreira DEC 9-3	1117	1	B. Lefever DEC 9-3			
S-2. <b>Dominic Spennato</b> Wilmington, DE	246	1	L. Carreira F 3:44	728	1	L. Carreira DEC 9-3	1118	1	B. Lefever DEC 9-3			
N-3. <b>Dionte Wheeler</b> Easton, PA	247	1	L. Carreira F 3:44	729	1	L. Carreira DEC 9-3	1119	1	B. Lefever DEC 9-3			
W-4. <b>Parker Brodmerkel</b> Cranberry Township, PA	248	1	L. Carreira F 3:44	730	1	L. Carreira DEC 9-3	1120	1	B. Lefever DEC 9-3			
S-1. <b>Quade Cummings</b> Milford, DE	249	1	L. Carreira F 3:44	731	1	L. Carreira DEC 9-3	1121	1	B. Lefever DEC 9-3			

L234	B. Kline	720	B. Kline	1111	Q. Cummings	1423	M. Berman	1663	G. Moore	1901	D. Spennato		
L235	P. Rhodes	9	DEC 3-2	1111	Q. Cummings	DEC 6-4	M. Berman	9	F 2:40	1	DEC 6-0	5	3rd MD 14-2
L236	J. Carrozza	721	T. Fearon	1112	M. Berman	DEC 2-1	L1421	G. Moore	1	DEC 6-0			
L237	T. Fearon	13	F 2:03	1112	M. Berman	DEC 2-1	L1421	G. Moore	1	DEC 6-0			
L238	B. Paley	722	B. Lefever	1113	B. Lefever	DEC 9-3							
L239	B. Lefever	12	DEC 2-0	1113	B. Lefever	DEC 9-3							
L240	D. Wheeler	723	D. Wheeler	1114	V. Ferguson	DEC 9-7	L1422	D. Spennato	3	F 1:03			
L241	P. Brodmerkel	724	V. Ferguson	1114	V. Ferguson	DEC 9-7	L1422	D. Spennato	3	F 1:03			

L1663	M. Berman	DEC 6-0	1902	M. Berman	5th	DEC 8-1
L1664	B. Lefever	6	F 1:03			

L1423	Q. Cummings	F 2:40	1903	Q. Cummings	7th	F 1:17
L1424	V. Ferguson	3	F 0:32			

E-1. **Marie Sharp**

Ridgewood, NJ		M. Sharp	
BYE		BYE	

MD-MAWA Eastern Nationals

Intermediate

100

W-4. **Hunter Neuhard**

Cogan Station, PA	242	A. Kapec	724
	13	F 0:39	14

N-2. **Andrew Kapec**

Benton, PA			
------------	--	--	--

W-3. **Leif Syrko**

Donora, PA	243	L. Syrko	725
	11	DEC 1-0	8

S-3. **Jacob Hughes**

Manassas, VA			
--------------	--	--	--

E-5. **Alex Teal**

South Plainfield, NJ	244	M. Tanner	726
	13	F 1:02	7

N-1. **Mason Tanner**

Port Byron, NY			
----------------	--	--	--

W-1. **Jackson Polifka**

Greencastle, PA	245	J. Polifka	727
	10	MD 8-0	10

S-4. **Eric LaGrotta**

Mount Laurel, NJ			
------------------	--	--	--

E-3. **Brayden Laird**

Holmes, PA	246	M. Polcha	728
	7	DEC 5-2	10

N-2. **Marek Polcha**

Loverpool, PA			
---------------	--	--	--

E-2. **Liam Lin**

Garnerville, NY	247	L. Lin	729
	14	F 2:43	13

N-5. **Chase Wilhelm**

West Pittston, PA			
-------------------	--	--	--

W-5. **Ryan Swingle**

Keyser, WV	248	T. Rosemeyer	727
	8	F 2:05	10

S-1. **Tristan Rosemeyer**

Turnersville, NJ			
------------------	--	--	--

A. Kapec	1425
DEC 4-3	12

M. Tanner	1426
MD 9-1	2

J. Polifka	1426
DEC 5-3	2

T. Rosemeyer	1426
MD 14-4	2

A. Kapec	1908
F 2:52	14

T. Rosemeyer	1908
DEC 6-3	14

T. Rosemeyer	1908
-1st	14
DEC 3-0	

BYE

L242	H. Neuhard	BYE	1115	L. Lin	1427
			13	DEC 12-11	10

L243	J. Hughes				

L244	A. Teal	728	A. Teal	1116	M. Polcha	1665	M. Tanner
		13	F 2:58	10	F 1:53	5	F 2:38

L245	E. LaGrotta	729	B. Laird	1117	B. Laird	1905	M. Sharp
		9	F 2:41	2	DEC 6-2	11	-3rd

L246	B. Laird						

L247	C. Wilhelm	730	C. Wilhelm	1118	M. Sharp	1428	M. Sharp
		6	DEC 8-2	14	F 1:10	13	DEC 4-2

L248	R. Swingle						

L1665	M. Polcha						

L1666	J. Polifka	12					

L1427	L. Lin						

L1428	B. Laird	13					

MD-MAWA Eastern Nationals

Intermediate

105

E-2. <b>Gavin Young</b> Old Bridge, NJ	249	9	G. Young	TF 19-1 3:49	731	11	G. Young	F 2:08	1429	5	M. Beckwith	DEC 6-4 SV	1912	4	M. Beckwith	-1st DEC 7-0
N-4. <b>Tyler Youngcourt</b> Hazleton, PA																
W-3. <b>Keaghan Hewitt</b> Manchester, PA	250	6	K. Hewitt	F 0:37												
S-2. <b>Eli Glover</b> Egg Harbor Township, NJ																
W-2. <b>Jackson Swingle</b> Keyser, WV	251	12	J. Swingle	DEC 6-2	732	6	M. Beckwith	F 2:19								
S-3. <b>Lucas Gandy</b> Elsinboro, NJ																
E-5. <b>Aidan Matias</b> Bloomfield, NJ	252	12	M. Beckwith	F 2:07												
N-1. <b>Maverick Beckwith</b> Plymouth, NY																
W-1. <b>Caleb Thompson</b> Wytheville, VA	253	11	C. Thompson	DEC 5-1	733	12	C. Thompson	DEC 3-2	1430	6	M. Engelman	F 3:33				
S-4. <b>Brayden McLaughlin</b> Wilmington, DE																
E-4. <b>Cole DeAngelo</b> Keansburg, NJ	254	7	D. DeKay	DEC 6-0												
N-2. <b>Drayton DeKay</b> Sayre, PA																
E-3. <b>Jackson Fearon</b> Middletown, NJ	255	14	M. Engelman	MD 10-2	734	6	M. Engelman	DEC 1-0								
N-3. <b>Micah Engelman</b> Mountain Top, PA																
W-4. <b>Averi Gable</b> Philipsburg, PA	256	8	W. Cruz	DEC 2-1												
S-1. <b>William Cruz</b> Paulsboro, NJ																

L249	T. Youngcourt	735	T. Youngcourt	DEC 2-1	1119	7	W. Cruz	DEC 5-1	1431	11	W. Cruz	DEC 7-4	1667	11	G. Young	DEC 6-1	1909	5	C. Thompson	-3rd DEC 6-4 SV
L250	E. Glover	14	W. Cruz																	
L251	L. Gandy	736	L. Gandy	DEC 11-8	1120	3	L. Gandy	DEC 7-3												
L252	A. Matias	10	D. DeKay																	
L253	B. McLaughlin	737	C. DeAngelo	DEC 7-0	1121	4	C. DeAngelo	FOR												
L254	C. DeAngelo	2	J. Swingle																	
L255	J. Fearon	738	J. Fearon	DEC 2-0	1122	1	K. Hewitt	DEC 9-2	1432	1	K. Hewitt	DEC 9-2	1668	1	C. Thompson	DEC 1-0				
L256	A. Gable	8	K. Hewitt																	

L1667	W. Cruz	DEC 6-1	1910	K. Hewitt	-5th DEC 2-1
L1668	K. Hewitt	2			

L1431	L. Gandy	DEC 7-4	1911	C. DeAngelo	-7th MD 12-4
L1432	C. DeAngelo	DEC 9-2			

MD-MAWA Eastern Nationals

Intermediate

110

E-1. <b>Delvan Rotte</b> Passaic, NJ	257	D. Rotte			
N-4. <b>Tristan Farley</b> Conklin, NY	13	F 2:00		739	
W-4. <b>Lukas Norbury</b> Harrisburg, PA	258	J. Devlin		13	D. Rotte
S-2. <b>Jamison Devlin</b> Mullica Hill, NJ	11	F 3:37			TF 15-0 2:15
W-3. <b>Brayden McKinney</b> Coal City, WV	259	B. McKinney			
S-5. <b>Logan King</b> Delmar, MD	9	DEC 2-0		740	
E-6. <b>Daniel Kornev</b> Richboro, PA	260	K. Mustin		9	K. Mustin
N-1. <b>Kade Mustin</b> Greene, NY	10	DEC 2-1			DEC 9-2
W-1. <b>Thomas Oswald</b> Hummelstown, PA		T. Oswald			
BYE		BYE		741	
E-4. <b>Zack Lombreglia</b> Newton, NJ	261	Z. Lombreglia		11	T. Oswald
N-2. <b>Travis White</b> Binghamton, NY	8	DEC 4-2			F 4:12
E-2. <b>Brayden Giovinco</b> Phoenixville, PA	262	B. Giovinco			
N-3. <b>Rhylee Stotler</b> Waverly, NY	13	DEC 8-2		742	
BYE		BYE		7	M. Comegys
S-1. <b>Mason Comegys</b> Bel Aire, MD		BYE			F 2:14

1433	14	D. Rotte	
		TF 16-0 4:20	
1916	9	D. Rotte	
		1st MD 10-1	

1434	3	M. Comegys	
		F 3:35	

L257	T. Farley				
	743	L. Norbury			
L258	L. Norbury 13	DEC 6-4	1123	B. Giovinco	
		L742	B. Giovinco 6	F 0:33	
L259	L. King			1435	Z. Lombreglia
	744	D. Kornev		1	DEC 9-5
L260	D. Kornev 14	DEC 8-2	1124	Z. Lombreglia	1669
		L741	Z. Lombreglia	DEC 4-2	K. Mustin
	BYE				L1433 F 4:58 SV
L261	T. White	T. White			
		BYE	1125	T. White	
		L740	B. McKinney 1	F 2:59	
L262	R. Stotler			1436	R. Stotler
		L739	J. Devlin 5	DEC 13-8	DEC 12-10
	BYE			4	T. Oswald
					1670
					T. Oswald
					MD 18-4

L1669	Z. Lombreglia				
	F 4:58 SV	1914	R. Stotler		
L1670	R. Stotler 6	MD 18-4	F 0:17		

L1435	B. Giovinco				
	DEC 9-5	1915	B. Giovinco		
L1436	T. White 1	DEC 12-10	7th TF 17-1 2:19		



MD-MAWA Eastern Nationals

Intermediate

115

<b>E-1. Robert Rodriguez</b> North Bergen, NJ	263	6	R. Rodriguez	F 2:21	745	10	R. Rodriguez	DEC 10-3	1437	9	R. Rodriguez	MD 14-4	1920	12	R. Rodriguez	1st	F 3:27
<b>N-4. Logan Matthews</b> Fairport, NY																	
<b>W-3. Bryce Ault</b> Hanover, PA	264	9	A. Pineda	F 0:27													
<b>S-3. Anthony Pineda</b> Egg Harbor Township, NJ																	
<b>W-2. Christian Taylor</b> Huntingdon, PA	265	13	K. Proctor	DEC 6-2	746	12	T. Ammerman	DEC 7-3									
<b>S-5. Kowen Proctor</b> Ashburn, VA																	
<b>E-4. Christopher Kelesidis</b> Oakhurst, NJ	266	12	T. Ammerman	DEC 9-7													
<b>N-1. Tanner Ammerman</b> Blandburg, PA																	
<b>W-1. Connor Riffer</b> Armagh?, PA			C. Riffer	BYE	747	8	J. Blunt	DEC 2-0 SV									
<b>E-3. Jarrod Blunt</b> Bethlehem, PA	267	14	J. Blunt	F 2:39													
<b>N-2. Caden Bradley</b> Waverly, NY																	
<b>E-2. Elijah Brown</b> Chester, NY	268	8	E. Brown	F 1:06	748	11	E. Brown	DEC 10-3	1438	13	E. Brown	F 1:10					
<b>W-3. Rocco DeLucia</b> Whitehall, PA																	
<b>W-4. Christian Laughman</b> New Bloomfield, PA	269	6	N. Papiro	F 3:25													
<b>S-1. Nicholas Papiro</b> Bear, DE																	

L263	L. Matthews	749	L. Matthews	F 1:21	1127	7	N. Papiro	DEC 7-1	1439	1	C. Kelesidis	DEC 10-3	1671	1	C. Kelesidis	MD 14-5	1917	1	J. Blunt	3rd	DEC 12-8
L264	B. Ault	7																			
L265	C. Taylor	750	C. Kelesidis	F 2:19	1128	1	C. Kelesidis	MD 11-2	1437	1	T. Ammerman	MD 14-5									
L266	C. Kelesidis	1	C. Riffer	1																	
L267	C. Bradley		C. Bradley	BYE	1129	11	K. Proctor	DEC 6-0													
L268	R. DeLucia	751	R. DeLucia	F 0:41	1130	14	A. Pineda	F 2:30	1440	2	A. Pineda	F 2:40	1672	7	J. Blunt	F 1:57					
L269	C. Laughman		A. Pineda	14																	

L1671	T. Ammerman	MD 14-5	1918	A. Pineda	5th	DEC 11-4
L1672	A. Pineda	10				

L1439	N. Papiro	DEC 10-3	1919	N. Papiro	7th	
L1440	K. Proctor	11				F 0:57

**E-1. Ethan De La Cruz**

Dunellen, NJ		E. De La Cruz	
BYE		BYE	<b>752</b>

**MD-MAWA Eastern Nationals**

Intermediate

120

**W-3. Weston Emmons**

Glenshaw, PA	<b>270</b>	W. Emmons	<b>753</b>
	7	DEC 13-8	8

**S-2. Jacob Mostowski**

New Market, MD			
----------------	--	--	--

**W-2. Compton Speck**

Hanover, PA	<b>271</b>	C. Speck	
	13	DEC 7-6 SV	

**S-3. Owen Gardner**

Swedesboro, NJ			<b>753</b>
			1

**E-4. Anthony Barrett**

Caldwell, NJ	<b>272</b>	J. Brown	
	11	MD 14-3	

**N-1. Jazick Brown**

Towanda, PA			
-------------	--	--	--

**W-1. Beau Snell**

Hampstead, MD	<b>273</b>	B. Snell	
	6	DEC 2-0	

**S-5. Kaiden Proctor**

Berkeley Springs, WV			<b>754</b>
			4

**E-3. Tristan Ziobro**

Manalapan, NJ	<b>274</b>	J. Somers	
	9	DEC 3-0	

**N-2. Justin Somers**

Walton, PA			
------------	--	--	--

**E-2. Justin Marcello**

Bordentown, NJ	<b>275</b>	J. Marcello	
	14	MD 15-2	

**N-3. Cole Clifford**

Hermon, NY			<b>755</b>
			7

**W-4. Aiden Wagner**

York, PA	<b>276</b>	T. Sianni	
	10	DEC 5-2	

**S-1. Tino Sianni**

Bear, DE			
----------	--	--	--

BYE		J. Mostowski	
		BYE	<b>1131</b>

L270 J. Mostowski		T. Sianni	
		DEC 8-5	

L271 O. Gardner	<b>756</b>	A. Barrett	<b>1443</b>
	3	F 2:51	5

L272 A. Barrett		B. Snell	<b>1132</b>
		DEC 8-2	13

L273 K. Proctor	<b>757</b>	T. Ziobro	
	6	MD 10-0	

L274 T. Ziobro		C. Speck	<b>1133</b>
		DEC 3-1	8

L275 C. Clifford	<b>758</b>	C. Clifford	<b>1444</b>
	2	DEC 6-1	6

L276 A. Wagner		W. Emmons	<b>1134</b>
		DEC 11-9	4

		W. Emmons	<b>1674</b>
		DEC 11-8	2

		J. Somers	<b>1673</b>
		DEC 8-2	5

L1673 A. Barrett		A. Barrett	
		DEC 8-2	

L1674 W. Emmons		5th	
		MD 9-0	

		J. Somers	<b>1921</b>
		MD 9-0	13

		E. De La Cruz	
		DEC 8-2	

L1443 T. Sianni		T. Sianni	
		DEC 9-3	

L1444 T. Ziobro	<b>1923</b>	7th	
	2	DEC 5-3	

		J. Brown	<b>1924</b>
		MD 13-2	9

		J. Brown	<b>1441</b>
		DEC 3-2 UTB	10

		J. Somers	<b>1442</b>
		DEC 4-2 SV	3

		J. Marcello	<b>1442</b>
		DEC 9-5	3

		J. Marcello	<b>1442</b>
		DEC 7-1	3

		J. Somers	<b>1442</b>
		DEC 4-2 SV	3

		J. Somers	<b>1442</b>
		DEC 3-0	3

		J. Brown	<b>1441</b>
		F 3:43	10

		J. Brown	<b>1441</b>
		F 1:08	10

		J. Brown	<b>1441</b>
		F 3:43	10

		J. Brown	<b>1441</b>
		F 3:43	10

		J. Brown	<b>1441</b>
		F 3:43	10

		J. Brown	<b>1441</b>
		F 3:43	10

		J. Brown	<b>1441</b>
		F 3:43	10

		J. Brown	<b>1441</b>
		F 3:43	10

		J. Brown	<b>1441</b>
		F 3:43	10

MD-MAWA Eastern Nationals

Intermediate

128

E-1. <b>Jake Volek</b> Oakhurst, NJ	277	6	J. Volek TF 15-0 4:07	759	11	J. Volek F 1:29	1445	12	L. Shaffer DEC 4-1	1928	12	L. Shaffer 1st MD 11-2
N-4. <b>Evan Andrew</b> Mount Gretna, PA												
W-4. <b>Kertis West</b> Coal City, WV	278	12	K. West MD 10-0									
S-2. <b>Ian Messick</b> Laurel, DE												
W-3. <b>Collin Wood</b> Cochranville, PA	279	8	C. Wood DEC 8-2	760	2	L. Shaffer MD 11-2						
S-3. <b>Rajat Bhaskaran</b> Wilmington, DE												
BYE			L. Shaffer BYE									
N-1. <b>Landyn Shaffer</b> Hancock, NY												
W-2. <b>Lane Metcalf</b> Keyser, WV	280	7	L. Metcalf DEC 5-1	761	12	C. Soto DEC 7-1	1446	14	C. Soto F 1:02			
S-4. <b>Garrett Till</b> Newark, DE												
E-3. <b>Carter Soto</b> Glenmoore, PA	281	13	C. Soto DEC 7-0									
N-2. <b>Van Koch</b> Bernville, PA												
E-2. <b>Bam Cordel</b> New Castle, PA	282	9	B. Cordel MD 11-2	762	5	R. Garden DEC 7-5						
N-3. <b>Gavin Brown</b> Catawissa, PA												
BYE			R. Garden BYE									
S-1. <b>Richard Garden</b> Cape May Court House, NJ												

L277 E. Andrew	763	1	E. Andrew F 0:00	1135	3	B. Cordel TF 19-4 4:23	1447	11	L. Metcalf DEC 6-2	1675	3	J. Volek DEC 4-0	1925	5	J. Volek 3rd DEC 11-4
L278 I. Messick															
L279 R. Bhaskaran			L762 B. Cordel												
L			R. Bhaskaran BYE	1136	12	L. Metcalf DEC 4-3	L1445								
L280 G. Till	764	7	V. Koch DEC 9-3	1137	10	C. Wood MD 17-4									
L281 V. Koch															
L282 G. Brown			L760 C. Wood												
L			G. Brown BYE	1138	9	K. West DEC 6-2	L1446								
			L759 K. West												

L1675 L. Metcalf DEC 4-0	1926	5th	L. Metcalf F 3:35
L1676 K. West DEC 7-4	11		

L1447 B. Cordel DEC 6-2	1927	7th	B. Cordel DEC 7-4 5V
L1448 C. Wood DEC 5-2	13		

MD-MAWA Eastern Nationals

Intermediate

136

E-1. **Dominic Volek**

Oakhurst, NJ		D. Volek	
BYE		BYE	
			<b>765</b>
			8

W-4. **Brian Albert**

Milroy, PA	<b>283</b>	B. Albert	
	12	DEC 6-5	

S-2. **William Graham II**

Mt Ephraim, NJ			
----------------	--	--	--

W-3. **Quintin Palm**

Ickesburg, PA	<b>284</b>	Q. Palm	
	9	DEC 7-2	

S-3. **Xavier Duvall**

Baltimore, MD			<b>766</b>
			4

E-4. **Max Bonner**

West Chester, PA	<b>285</b>	X. Pabon	
	14	DEC 4-3	

N-1. **Xxavier Pabon**

Pittston, PA			
--------------	--	--	--

W-2. **Connor Messner**

Denver, PA		C. Messner	
BYE		BYE	
			<b>767</b>
			5

E-3. **William Illingworth**

Phoenixville, PA	<b>286</b>	G. Morcom	
	10	DEC 4-3	

N-3. **Gavin Morcom**

Waymart, PA			
-------------	--	--	--

E-2. **Cole Trzeciak**

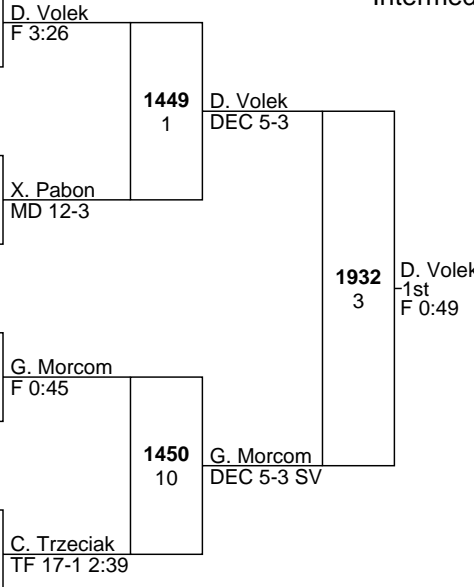
Lansdale, PA	<b>287</b>	C. Trzeciak	
	6	DEC 10-3	

N-4. **Mason Frederick**

Berville, PA			<b>768</b>
			3

S-1. **Carson Tuer**

Chesapeake City, MD		C. Tuer	
		BYE	



L283	BYE	W. Graham II	
		BYE	
			<b>1139</b>
			5

L284	X. Duvall	L768 C. Tuer	
			<b>1451</b>
			13

L285	M. Bonner	DEC 6-4	<b>1140</b>
			6

		L767 C. Messner	
			<b>1677</b>
			11

L286	W. Illingworth	BYE	
			<b>1141</b>
			8

L287	M. Frederick	L766 Q. Palm	
			<b>1452</b>
			4

		BYE	
			<b>1142</b>
			10

		L765 B. Albert	
			<b>1678</b>
			13

			<b>1929</b>
			9

--	--	--	--

--	--	--	--

--	--	--	--

--	--	--	--

--	--	--	--

--	--	--	--

--	--	--	--

--	--	--	--

--	--	--	--

--	--	--	--

--	--	--	--

--	--	--	--

--	--	--	--

--	--	--	--

--	--	--	--

--	--	--	--

--	--	--	--

--	--	--	--

--	--	--	--

--	--	--	--

--	--	--	--

--	--	--	--

--	--	--	--

--	--	--	--

--	--	--	--

--	--	--	--

--	--	--	--

--	--	--	--

--	--	--	--

--	--	--	--

--	--	--	--

--	--	--	--

--	--	--	--

--	--	--	--

--	--	--	--

--	--	--	--

--	--	--	--

--	--	--	--

--	--	--	--

--	--	--	--

--	--	--	--

MD-MAWA Eastern Nationals

Intermediate

150

E-1. <b>Michael Stead</b> Royersford, PA	288	11	M. Stead DEC 5-4	770	6	M. Stead F 0:16	1453	3	D. Martin DEC 3-0	1936	11	B. Fabuien 1st DEC 7-3
N-4. <b>Brinley Donmoyer</b> Myerstown, PA												
W-3. <b>Brayan Aurand</b> Lewistown, PA	289	8	Z. Stine DEC 8-7									
S-2. <b>Zackary Stine</b> Locust Grove, VA												
W-2. <b>Cayden Oseen</b> Biglerville, PA	290	7	C. Oseen F 2:07	771	1	D. Martin DEC 4-2 SV						
N-3. <b>Dominick Salvaterra</b> Landenberg, PA												
BYE			D. Martin BYE									
N-1. <b>Duke Martin</b> Honesdale, PA												
W-1. <b>Nicky Negron Jr</b> York, PA	291	13	N. Negron Jr F 1:41	772	2	N. Negron Jr TF 17-1 4:00	1454	4	B. Fabuien DEF 0:37			
E-4. <b>Curtis Cooper</b> Allentown, PA												
E-3. <b>Quinn Fullmer</b> Hatboro, PA	292	12	C. Toth DEC 3-2									
N-2. <b>Cj Toth</b> Schnecksville, PA												
E-2. <b>Bobby Goliash</b> Norristown, PA	293	14	E. Reinard MD 10-0	773	12	B. Fabuien DEC 10-4						
N-3. <b>Ethan Reinard</b> Womelsdorf, PA												
W-4. <b>Landon Moser</b> Mifflinburg, PA	294	8	B. Fabuien F 1:52									
S-1. <b>Brayden Fabuien</b> Townsend, DE												

L288	B. Donmoyer	774	B. Donmoyer DEC 4-0	1143	2	E. Reinard DEC 4-1	1455	5	C. Toth DEC 5-4	1679	5	M. Stead DEC 4-3	1933	10	M. Stead 3rd DEC 4-0
L289	B. Aurand	3													
L290	D. Salvaterra		D. Salvaterra BYE	1144	1	C. Toth DEC 6-2									
L291	C. Cooper	775	Q. Fullmer F 0:43	1145	10	C. Oseen DEC 6-0	1456	9	C. Oseen DEC 6-0	1680		C. Oseen FOR			
L292	Q. Fullmer	1													
L293	B. Goliash	776	L. Moser DEC 7-6	1146	11	L. Moser DEC 4-3									
L294	L. Moser	1													

L1679	C. Toth DEC 4-3	1934	C. Toth 5th FOR
L1680	N. Negron Jr FOR		

L1455	E. Reinard DEC 5-4	1935	E. Reinard 7th F 2:51
L1456	L. Moser DEC 6-0	4	

MD-MAWA Eastern Nationals

Intermediate

175

E-1. <b>David Clayton</b> Quakertown, PA BYE		D. Clayton BYE	777 8	D. Clayton F 4:24			
W-4. <b>Jake Zumbrum</b> Glennville, PA S-3. <b>Colin Prokson</b> Dorchester, NJ	295 9	J. Zumbrum F 1:15			1457 6	L. Reed F 0:37	
W-3. <b>Blair Miller</b> East Freedom, PA S-4. <b>Joshua Watson</b> Stanardsville, VA	296 11	B. Miller F 0:14	778 12	L. Reed DEC 6-2			
E-4. <b>Ivan Yaltukhovskiy</b> Trenton, NJ W-3. <b>Logan Reed</b> Montoursville, PA	297 6	L. Reed F 2:23					1940 3
W-1. <b>Riley Miller</b> Hampstead, MD BYE		R. Miller BYE	779 5	R. Miller F 0:44			
E-3. <b>Alexander Duzenski</b> Langhorne, PA N-4. <b>Chance Swatski</b> Kulpmont, PA	298 10	A. Duzenski F 2:38			1458 11	R. Miller F 0:50	
E-2. <b>Ralphie Barca</b> North Haledon, NJ N-5. <b>Kenyon Davidson</b> Johnson City, NY	299 7	R. Barca DEC 3-1	780 11	G. Griffith F 1:19			
W-5. <b>Gerald Griffith</b> Boonsboro, MD S-1. <b>Matthew Garcia</b> Woodbine, MD	300 13	G. Griffith F 1:14					

L BYE		C. Prokson BYE	1147 4	R. Barca F 2:23			
L295 C. Prokson		L780 R. Barca			1459 14	R. Barca DEC 2-1	
L296 J. Watson	781	I. Yaltukhovskiy F 2:06	1148	A. Duzenski DEC 4-0		D. Clayton DEC 2-1	
L297 I. Yaltukhovskiy		L779 A. Duzenski					
L BYE		C. Swatski BYE	1149 12	B. Miller F 2:16			1937 12
L298 C. Swatski		L778 B. Miller			1460 12	K. Davidson DEC 5-2	
L299 K. Davidson	782	K. Davidson F 1:05	1150	K. Davidson DEC 5-2	1682	K. Davidson F 1:29	
L300 M. Garcia	3	L777 J. Zumbrum					

L1681 R. Barca DEC 2-1	1938	R. Barca 5th DEC 6-1
L1682 G. Griffith F 1:29	9	

L1459 A. Duzenski DEC 2-1	1939	B. Miller 7th F 2:05
L1460 B. Miller DEC 5-2	13	

MD-MAWA Eastern Nationals

Intermediate

220

<b>E-2. Viktor Lebron</b> Norristown, PA	301	6	V. Lebron MD 14-2	783	7	V. Lebron F 4:09	1461	2	C. Allis F 0:40	1944	2	C. Allis 1st DEC 7-0
<b>N-4. Levi Yoder</b> Myerstown, PA												
<b>W-3. Christopher Dugan</b> Gettysburg, PA	302	10	C. Dugan DEC 6-2									
<b>S-2. Maxx Bryan</b> Laurel, DE												
<b>S-2. Joshua Smith</b> Carlisle, PA	303	12	J. Smith F 1:15	784	2	C. Allis DEC 2-1						
<b>W-4. Jackson Hummer</b> Hanover, PA												
<b>BYE</b>												
<b>N-1. Cameron Allis</b> Towanda, PA			C. Allis BYE									
<b>W-1. Charlie Robb</b> Morgantown, WV			C. Robb BYE									
<b>BYE</b>												
<b>S-5. Masyn McIntyre</b> Hebron, MD	304	14	D. Wrench F 1:15	785	11	C. Robb F 2:39	1462		C. Robb FOR			
<b>N-2. Donte Wrench</b> Greene, NY												
<b>E-3. Colin Bartasek</b> Quakertown, PA	305	11	T. Parker MD 9-0	786	8	J. Hinton DEC 5-3						
<b>N-3. Trey Parker</b> Conklin, NY												
<b>W-4. Caleb Hendershol</b> Curwensville, PA	306	7	J. Hinton DEC 6-2									
<b>S-1. Jason Hinton</b> Silver Spring, MD												

L301	L. Yoder	787	L. Yoder	1151	5	T. Parker DEC 6-0	1463	13	D. Wrench DEC 5-3	1683	10	V. Lebron F 1:54	1941	6	V. Lebron 3rd F 3:38
L302	M. Bryan	12	F 1:07												
L303	J. Hummer		L786												
	BYE														
	BYE														
L304	M. McIntyre		M. McIntyre BYE	1153	9	J. Smith F 0:13	1464	3	J. Smith F 2:44	1684		J. Smith FOR			
L305	C. Bartasek	788	L784												
L306	C. Hendershol		F 3:52	1154	8	C. Dugan DEC 2-1 SV									
			L783												

L1683	D. Wrench	F 1:54	1942	D. Wrench 5th
L1684	J. Hinton	1		FOR

L1463	T. Parker	DEC 5-3	1943	T. Parker 7th
L1464	C. Dugan	10		F 3:26

MD-MAWA Eastern Nationals

Advanced

93

<b>E-1. Brighton Karvoski</b> Sandy Hook, CT		B. Karvoski				
BYE		BYE				
<b>W-3. Tanner McElravy</b> Tyrone, PA	<b>307</b>	J. Evans	<b>789</b>	1	B. Karvoski	F 0:59
<b>E-2. Jaeczar Evans</b> Rahway, NJ	8	DEC 7-0				
<b>W-2. Donavan Evans</b> Manchester, PA	<b>308</b>	D. Evans				
<b>W-3. Mason Nomie</b> Whitehall, PA	13	DEC 7-0				
<b>W-4. Coltyn Wagner</b> Mifflinburg, PA	<b>309</b>	C. Wagner	<b>790</b>	11	D. Evans	MD 11-0
<b>S-1. Jaxson Orsin</b> Silver Spring, MD	9	F 0:35				
<b>E-1. Vincent DeSomma</b> Denville, NJ		V. DeSomma				
BYE		BYE				
<b>S-3. Leonidas Butler</b> Clementon, NJ	<b>310</b>	S. Morley	<b>791</b>	1	S. Morley	DEC 2-1
<b>N-2. Sean Morley</b> Lancaster, PA	10	F 0:56				
<b>E-2. Antonio Chila</b> Gibbstown, NJ	<b>311</b>	J. Winseman				
<b>N-3. John Winseman</b> Honeoye Falls, NY	6	F 2:17				
<b>E-4. Nathaniel Hernandez</b> North Bergen, NJ	<b>312</b>	B. Matthews	<b>792</b>	4	J. Winseman	F 4:25
<b>W-1. Brooks Matthews</b> Martinsburg, PA	7	F 0:09				

<b>1465</b>	13	B. Karvoski	F 0:10
<b>1466</b>	6	J. Winseman	DEC 7-4
<b>1948</b>	5	B. Karvoski	1st F 0:42

<b>1467</b>	4	B. Matthews	F 3:18
<b>1685</b>	7	B. Matthews	DEC 7-2
<b>1945</b>	1	S. Morley	3rd DEC 7-5

<b>1155</b>		B. Matthews	DEC 7-0
<b>1156</b>		V. DeSomma	MD 12-1
<b>1157</b>	14	C. Wagner	MD 11-2
<b>1158</b>	3	J. Evans	F 0:37
<b>1686</b>	6	S. Morley	F 4:17

<b>793</b>	11	M. Nomie	F 0:01
<b>794</b>		A. Chila	F 1:01
<b>799</b>		T. McElravy	BYE
<b>792</b>		L. Butler	BYE
<b>791</b>		V. DeSomma	MD 12-1
<b>790</b>	14	C. Wagner	MD 11-2
<b>789</b>	3	J. Evans	F 0:37

<b>1685</b>	3	D. Evans	DEC 7-2
<b>1686</b>		J. Evans	F 4:17
<b>1946</b>		D. Evans	5th DEC 5-4

<b>1467</b>	4	V. DeSomma	F 3:18
<b>1468</b>		C. Wagner	F 2:37
<b>1947</b>		V. DeSomma	7th DEC 7-2



N-1. **Mason Alexander**

Stevensville, PA	313	B. Donato	795
S-4. <b>Ben Donato</b>	13	DEC 6-2	8
Dover, DE			

W-3. <b>Paxton Shawver</b>	314	P. Shawver	796
Lewistown, PA	11	DEC 7-1	5
Whitehall, PA			

W-2. <b>Blake Klipp</b>	315	B. Klipp	796
Harrisburg, PA	14	MD 9-1	5
E-4. <b>Ayden Cardona</b>			
New York, NY			
BYE			

S-1. <b>Gavin Mensch</b>		G. Mensch	798
Egg Harbor Township, NJ		BYE	7
E-1. <b>Dominick Powell</b>	316	D. Powell	797
Ft. Washington, PA	11	DEC 11-5	12
York, PA			

W-4. <b>Aaden Schiefer</b>	317	K. Hersey	798
Chesapeake, VA	13	MD 9-1	7
N-2. <b>Rowen Humphrey</b>			
Elysburg, PA			
S-2. <b>Austin Hayes</b>	318	A. Hayes	799
Greenbelt, MD	10	MD 9-1	6
N-3. <b>Caden Higley</b>			
Sidney, NY			
BYE			

W-1. <b>Nathaniel Handy</b>		N. Handy	799
Glenville, PA		BYE	7

MD-MAWA Eastern Nationals

Advanced

100

L313	M. Alexander	799	M. Alexander	1159	M. Alexander	1471	K. Hersey	1687	B. Donato	1949	A. Schiefer
L314	M. Nomie	6	F 2:53	11	DEC 5-4	5	DEC 4-2	1	DEC 8-5	6	3rd
L315	A. Cardona		L798								F 2:15
L316	A. Schiefer	800	F 2:08	10	F 4:20	14	TF 17-2 4:24	5	F 2:37		
L317	R. Humphrey		L796								
L318	C. Higley		L795								

L1687	K. Hersey	DEC 8-5	1950	N. Handy	5th	DEC 6-0
L1688	N. Handy	8				

L1471	M. Alexander	DEC 4-2	1951	M. Alexander	7th	F 4:08
L1472	P. Shawver					

L1471	M. Alexander	DEC 4-2	1951	M. Alexander	7th	F 4:08
L1472	P. Shawver					

L1471	M. Alexander	DEC 4-2	1951	M. Alexander	7th	F 4:08
L1472	P. Shawver					

L1471	M. Alexander	DEC 4-2	1951	M. Alexander	7th	F 4:08
L1472	P. Shawver					

L1471	M. Alexander	DEC 4-2	1951	M. Alexander	7th	F 4:08
L1472	P. Shawver					

L1471	M. Alexander	DEC 4-2	1951	M. Alexander	7th	F 4:08
L1472	P. Shawver					

L1471	M. Alexander	DEC 4-2	1951	M. Alexander	7th	F 4:08
L1472	P. Shawver					

L1471	M. Alexander	DEC 4-2	1951	M. Alexander	7th	F 4:08
L1472	P. Shawver					

L1471	M. Alexander	DEC 4-2	1951	M. Alexander	7th	F 4:08
L1472	P. Shawver					

L1471	M. Alexander	DEC 4-2	1951	M. Alexander	7th	F 4:08
L1472	P. Shawver					

L1471	M. Alexander	DEC 4-2	1951	M. Alexander	7th	F 4:08
L1472	P. Shawver					

L1471	M. Alexander	DEC 4-2	1951	M. Alexander	7th	F 4:08
L1472	P. Shawver					

L1471	M. Alexander	DEC 4-2	1951	M. Alexander	7th	F 4:08
L1472	P. Shawver					

L1471	M. Alexander	DEC 4-2	1951	M. Alexander	7th	F 4:08
L1472	P. Shawver					

L1471	M. Alexander	DEC 4-2	1951	M. Alexander	7th	F 4:08
L1472	P. Shawver					

L1471	M. Alexander	DEC 4-2	1951	M. Alexander	7th	F 4:08
L1472	P. Shawver					

N-1. **Abramm Schaffer**

Bethel, PA 319

A. Schaffer F 0:59

S-5. **Brayden Brassell**

Sykesville, MD 6

801 5

W-3. **Orion Taylor**

Charleston, WV 320

O. Taylor DEC 4-2

E-2. **Michael Timpone**

Mahwah, NJ 12

W-2. **Joshua Dobson**

Anita, PA 321

T. Connelly MD 9-1

E-3. **Tanner Connelly**

Basking Ridge, NJ 9

802 1

S-1. **Michael Lamb**

Haddonfield, NJ

M. Lamb BYE

W-1. **Willmont Kai**

Whitehall, PA 322

W. Kai TF 16-0 3:23

W-4. **Izaiah Vasquez**

Port Matilda, PA 7

803 3

S-4. **Thomas Arms**

Wilmington, DE 323

A. Branigan DEC 7-5

N-2. **Aiden Branigan**

Sidney Center, NY 9

S-3. **Makai Webb**

Vineland, NJ 324

J. Jasionowicz F 2:12

N-3. **Jack Jasionowicz**

Stroudsburg, PA 14

804 5

E-4. **Dylan Gappa**

Quakertown, PA 325

E. Shepard DEC 4-2 SV

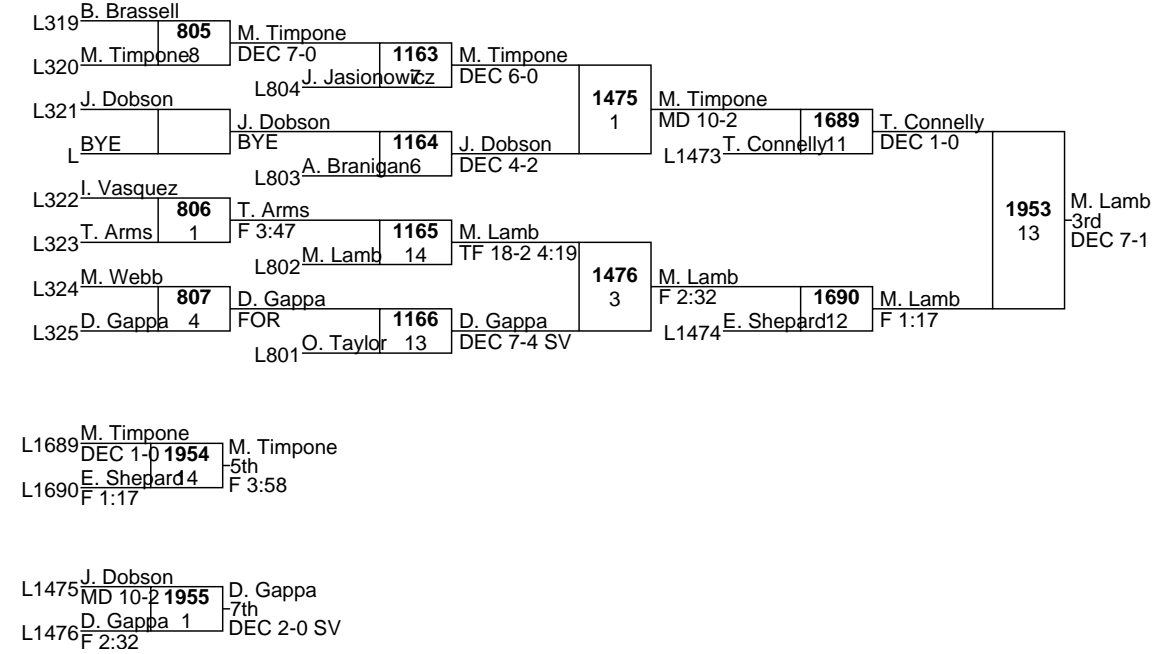
W-1. **Evan Shepard**

New Bloomfield, PA 11

MD-MAWA Eastern Nationals

Advanced

105



MD-MAWA Eastern Nationals

Advanced

110

W-1. <b>Tyler Detwiler</b> Palmyra, PA	BYE		T. Detwiler BYE	<b>808</b> 2	T. Detwiler DEC 4-2 SV	1477 4	T. Detwiler DEC 10-5	1960 6	T. Detwiler 1st DEC 2-1
W-3. <b>Zane Crouse</b> Greencastle, PA	<b>326</b> 9	A. Bonita DEC 7-4							
E-2. <b>Andrew Bonita</b> Mahwah, NJ									
W-2. <b>Carter Hoffman</b> Dover, PA	<b>327</b> 10	G. Pettit DEC 7-0							
E-3. <b>Greyson Pettit</b> Pittsgrove, NJ				<b>809</b> 3	G. Pettit DEC 8-1				
N-4. <b>Ace Foster</b> Osceola Mills, PA	<b>328</b> 13	S. Crawford MD 8-0							
S-1. <b>Seth Crawford</b> Brunswick, MD									
E-1. <b>Owen Garriques</b> Bloomsbury, NJ	<b>329</b> 14	O. Garriques DEC 6-0							
W-4. <b>Dj Noel</b> Pittsburgh, PA				<b>810</b> 6	C. LaGier F 3:41				
S-4. <b>Mason Milligan</b> Smyrna, DE	<b>330</b> 10	C. LaGier F 2:37							
W-2. <b>Connor LaGier</b> Montoursville, PA						1478 2	C. LaGier DEC 4-0		
S-2. <b>M. Bryce Paley</b> Cape May Court House, NJ	<b>331</b> 12	T. Middendorf DEC 2-1							
N-3. <b>Trevor Middendorf</b> Owego, NY				<b>811</b> 7	C. Schisler DEC 9-2				
BYE			C. Schisler BYE						
W-1. <b>Cole Schisler</b> York Springs, PA									

L BYE								
L326	Z. Crouse	BYE	<b>1167</b> T. Middendorf DEC 8-2	Z. Crouse				
L327	C. Hoffman	L811		<b>1479</b> 12	Z. Crouse DEC 4-2 SV	<b>1691</b> 3	G. Pettit DEC 2-1 SV	
L328	A. Foster	5	C. Hoffman MD 9-0	<b>1168</b> O. Garriques FOR	L1477			
L329	D. Noel	L810						
L330	M. Milligan	4	D. Noel DEC 6-4	<b>1169</b> S. Crawford MD 9-0				
L331	M. Paley	L809		<b>1480</b> 13	S. Crawford DEC 4-2	<b>1692</b> C. Schisler DEC 6-0		<b>1957</b> 3
L	BYE		M. Paley BYE	<b>1170</b> A. Bonita DEC 1-0	L1478			G. Pettit 3rd DEC 3-2

L1691	Z. Crouse DEC 2-1	<b>1658</b> Z. Crouse 5th DEC 7-3
L1692	S. Crawford DEC 6-0	

L1479	C. Hoffman DEC 4-2	<b>1659</b> A. Bonita 7th DEC 5-0
L1480	A. Bonita DEC 4-2	

MD-MAWA Eastern Nationals

Advanced

115

N-1. <b>Ashton Kriss</b> Richland, PA	332	8	A. Kriss DEC 5-2						
S-4. <b>Dylan Hetzel</b> Turnersville, NJ				814	12	A. Kriss DEC 6-0			
W-3. <b>Ethan Shirk</b> Mercersburg, PA	333	7	R. Jones F 2:32						
E-4. <b>Rylan Jones</b> Montville, NJ							1481	6	C. Farver F 2:27
W-2. <b>Franco Perri</b> Harrisburg, PA	334	7	F. Perri DEC 10-8						
E-5. <b>Reid Ordower</b> Maplewood, NJ				815	6	C. Farver F 1:14			
BYE									
S-1. <b>Cayden Farver</b> Manchester, MD			C. Farver BYE						
E-1. <b>Nick Adams</b> West Orange, NJ	335	12	N. Adams TF 17-2 3:58						
W-5. <b>Gabriel Crewey</b> Rural Retreat, VA				816	11	N. Adams MD 11-1			
S-3. <b>Pierce Hoffman</b> Haddonfield, NJ	336	6	P. Hoffman MD 9-1						
N-2. <b>Kaden Zachman</b> Elysburg, PA							1482	5	C. Hummel DEC 4-2 SV
S-2. <b>Hunter Elliot</b> Virginia Beach, VA	337	8	H. Elliot DEC 3-0						
N-3. <b>Stephen Korte</b> Albrightsville, PA				817	3	C. Hummel TF 22-6 4:30			
BYE									
W-1. <b>Caleb Hummel</b> Philipsburg, PA			C. Hummel BYE						

1964  
9  
C. Hummel  
1st  
F 3:34

L332 D. Hetzel	818	12	D. Hetzel DEC 1-0	1171	9	H. Elliot DEC 5-3			
L333 E. Shirk									
L334 R. Ordower			R. Ordower L817	1483	2	H. Elliot MD 12-4	1693	5	A. Kriss DEC 7-5
L BYE			BYE	1172	14	R. Ordower DEC 4-3			
L335 G. Crewey	819	11	K. Zachman DEC 4-2	1173	3	F. Perri F 2:49			
L336 K. Zachman									
L337 S. Korte			S. Korte L815	1484	14	S. Korte F 2:26	1694		S. Korte FMC
L BYE			BYE	1174	11	S. Korte DEC 6-0			

1961  
7  
A. Kriss  
3rd  
DEC 13-8

L1693 H. Elliot DEC 7-5	1962	5th	H. Elliot DQ
L1694 N. Adams FMC			

L1483 R. Ordower MD 12-4	1963	7th	F. Perri DEC 9-3
L1484 F. Perri F 2:26	8		

N-1. Roman Polcha

Liverpool, PA 338

R. Polcha DEC 8-2

MD-MAWA Eastern Nationals

Advanced

120

S-5. Xavier Ford

Buckeystown, MD 11

W-3. Luke Hitchcock

Harrisburg, PA 339

E-2. Eric Catenacci Jr

Plymouth Meeting, PA 9

W-2. Adam Haines

Aspinwall, PA 340

W-3. Kade Pascoe

Whitehall, PA 14

W-4. Owen Clark

Palmyra, PA 341

S-1. Justin Jones

Locust Grove, VA 13

E-1. Zachary Belverio

Clark, NJ

BYE

S-4. Joshua Roman

Millville, NJ 342

N-2. Cole Fry

Orwigsburg, PA 7

E-2. Niko Pittakas

Ambler, PA 343

N-3. Tanner Vanderpool

Towanda, PA 10

E-4. Anthony Mayo

Hillsborough, NJ 344

W-1. Bryndin Chamberla

Clearfield, PA 6

820 1

R. Polcha DEC 4-0

1485 6

J. Jones DEC 7-3

821 8

J. Jones DEC 9-3

1968 13

J. Jones 1st F 2:45

822 6

Z. Belverio F 3:45

1486 1

B. Chamberla DEC 9-2

823 7

B. Chamberla F 1:15

1965 10

R. Polcha 3rd DEC 1-0

L338 X. Ford

824

L. Hitchcock MD 13-1

L339 L. Hitchcock 1

1175 L. Hitchcock TF 15-0 4:21

L340 K. Pascoe

L823 T. Vanderpool

1487 3

L. Hitchcock DEC 5-3 SV

L341 O. Clark 2

K. Pascoe TF 16-1 2:33

1176 K. Pascoe F 2:14

1695 R. Polcha 7

R. Polcha DEC 7-6

L342 J. Roman

J. Roman BYE

1177 A. Haines 12

A. Haines DEC 8-7

L343 N. Pittakas

L821 A. Mayo FOR

1488 13

E. Catenacci Jr F 4:26

L344 A. Mayo 826

1178 E. Catenacci Jr F 3:23

L1486 Z. Belverio 3

Z. Belverio DEC 4-3

L1695 L. Hitchcock DEC 7-6

1966 L. Hitchcock 5th

L1696 E. Catenacci Jr DEC 4-3

DEC 4-1

L1487 K. Pascoe DEC 5-3

1967 K. Pascoe 7th

L1488 A. Haines 12 F 4:26

DEC 6-4 SV

**N-1. Gordon Hung**

Mechanicsburg, PA  
 G. Hung  
 BYE

**W-3. Tyler Phillips**

Marion Center, PA  
 345  
 D. Olivo  
 DEC 5-2

**E-2. Daniel Olivo**

Old Tappan, NJ  
 6  
 DEC 9-2

**W-2. Bryce Hefenfinger**

Marysville, PA  
 346  
 M. Loss  
 DEC 6-5

**E-3. Marco Loss**

Newtown, PA  
 8  
 828  
 C. Hoopes  
 DEC 5-2

**N-5. Noah Hanlon**

Hegins, PA  
 347  
 C. Hoopes  
 TF 19-4 3:46

**S-1. Christian Hoopes**

Turnersville, NJ  
 12

**E-1. Nicky Pallitto**

Kenilworth, NJ  
 348  
 N. Pallitto  
 F 0:59

**W-4. Jack Hughes**

Wytheville, VA  
 11  
 829  
 N. Pallitto  
 F 0:48

**S-3. Michael Queen**

Millersville, MD  
 349  
 M. Queen  
 DEC 4-2

**N-2. Collin Monell**

Owego, NY  
 7

**S-2. Nicholas Moore**

Camden-Wyoming, DE  
 350  
 N. Moore  
 DEC 6-4

**N-4. Simon Zamudio**

Hazletown, PA  
 13  
 830  
 D. Scherer  
 DEC 4-3

BYE

**W-1. Drew Scherer**

Boiling Springs, PA  
 D. Scherer  
 BYE

MD-MAWA Eastern Nationals

Advanced

125

BYE

L T. Phillips  
 L345 T. Phillips BYE 1179 N. Moore  
 L830 N. Moore 10 MD 10-0

L346 B. Hefenfinger 831 B. Hefenfinger 1491 N. Moore  
 DEC 6-0 1697 D. Olivo  
 DEC 2-1

L347 N. Hanlon 12 DEC 11-6 UTB 1180 M. Queen  
 L829 M. Queen 6 F 3:40

L348 J. Hughes 832 C. Monell 1969 D. Scherer  
 L349 C. Monell 4 F 2:41 1181 M. Loss  
 L828 M. Loss 7 TF 20-4 4:30

L350 S. Zamudio 1492 M. Loss  
 DEC 5-4 1698 D. Scherer  
 DEC 5-3

L BYE S. Zamudio 1182 S. Zamudio  
 L827 G. Hung 13 DEC 4-3

L BYE S. Zamudio 1182 S. Zamudio  
 L827 G. Hung 13 DEC 4-3

L1697 N. Moore DEC 2-1 N. Moore  
 5th

L1698 M. Loss DEC 5-3 FOR

L1491 M. Queen DEC 6-0 M. Queen  
 7th

L1492 S. Zamudio DEC 5-4 FOR

MD-MAWA Eastern Nationals

Advanced

130

N-1. <b>Steven Rosado</b> Myerstown, PA	351	9	J. Schaible DEC 6-4 SV	833	8	C. Cropanese DEC 4-2	1493	13	B. Schmidt MD 11-1 SV	1976	5	B. Schmidt 1st DEC 7-4
S-4. <b>Jordan Schaible</b> Oxford, PA	351	9	J. Schaible DEC 6-4 SV	833	8	C. Cropanese DEC 4-2	1493	13	B. Schmidt MD 11-1 SV	1976	5	B. Schmidt 1st DEC 7-4
W-3. <b>Austin Anderson</b> East Berlin, PA	352	10	C. Cropanese F 2:59	834	1	B. Schmidt F 3:48	1494	5	W. Sakoutis DEC 3-1	1976	5	B. Schmidt 1st DEC 7-4
E-2. <b>Christopher Cropanese</b> East Windsor, NJ	352	10	C. Cropanese F 2:59	834	1	B. Schmidt F 3:48	1494	5	W. Sakoutis DEC 3-1	1976	5	B. Schmidt 1st DEC 7-4
S-2. <b>Joshua Hale</b> Manchester, MD	353	8	J. Hale DEC 3-0	835	6	W. Sakoutis DEC 3-0	1494	5	W. Sakoutis DEC 3-1	1976	5	B. Schmidt 1st DEC 7-4
E-3. <b>Steven Wiechecki</b> Berwyn, PA	353	8	J. Hale DEC 3-0	835	6	W. Sakoutis DEC 3-0	1494	5	W. Sakoutis DEC 3-1	1976	5	B. Schmidt 1st DEC 7-4
N-4. <b>Wyatt Opferbeck</b> Arcade, NY	354	6	B. Schmidt F 3:39	836	7	S. Tsay DEC 4-2 SV	1494	5	W. Sakoutis DEC 3-1	1976	5	B. Schmidt 1st DEC 7-4
S-1. <b>Beau Schmidt</b> Pasedena, MD	354	6	B. Schmidt F 3:39	836	7	S. Tsay DEC 4-2 SV	1494	5	W. Sakoutis DEC 3-1	1976	5	B. Schmidt 1st DEC 7-4
E-1. <b>William Sakoutis</b> Holmdel, NJ	355	12	W. Sakoutis F 3:17	836	7	S. Tsay DEC 4-2 SV	1494	5	W. Sakoutis DEC 3-1	1976	5	B. Schmidt 1st DEC 7-4
W-4. <b>Jordan Rutan</b> Punxsutawney, PA	355	12	W. Sakoutis F 3:17	836	7	S. Tsay DEC 4-2 SV	1494	5	W. Sakoutis DEC 3-1	1976	5	B. Schmidt 1st DEC 7-4
S-3. <b>Ethan VanNostrand</b> Virginia Beach, VA	356	10	T. Schecnterly MD 13-2	837	1	S. Rosado F 0:20	1183	8	N. Moore F 3:13	1495	11	N. Moore DEC 8-1
N-2. <b>Thomas Schecnterly</b> Hunlock Creek, PA	356	10	T. Schecnterly MD 13-2	837	1	S. Rosado F 0:20	1183	8	N. Moore F 3:13	1495	11	N. Moore DEC 8-1
S-2. <b>Nathan Moore</b> Camden-Wyoming, DE	357	14	N. Moore DEC 4-2 SV	838	5	S. Wiechecki DEC 7-2	1184	2	T. Schecnterly DEC 6-4	1699	1	N. Moore DEC 4-0
N-3. <b>William Ackley</b> Binghamton, NY	357	14	N. Moore DEC 4-2 SV	838	5	S. Wiechecki DEC 7-2	1184	2	T. Schecnterly DEC 6-4	1699	1	N. Moore DEC 4-0
E-4. <b>Sowzrawca Tsay</b> Wayne, NJ	358	7	S. Tsay DEC 9-7	839	2	J. Rutan F 3:33	1185	5	J. Rutan TF 4-2 2:43	1496	2	J. Rutan F 4:06
W-1. <b>Ian Longenberger</b> Dillsburg, PA	358	7	S. Tsay DEC 9-7	839	2	J. Rutan F 3:33	1185	5	J. Rutan TF 4-2 2:43	1496	2	J. Rutan F 4:06

L351 S. Rosado	837	S. Rosado	F 0:20	1183	N. Moore	F 3:13	1495	11	N. Moore	DEC 8-1	1699	N. Moore	DEC 4-0
L352 A. Anderson	837	S. Rosado	F 0:20	1183	N. Moore	F 3:13	1495	11	N. Moore	DEC 8-1	1699	N. Moore	DEC 4-0
L353 S. Wiechecki	838	S. Wiechecki	DEC 7-2	1184	T. Schecnterly	DEC 6-4	1493	1	C. Cropanese	DEC 4-0	1699	N. Moore	DEC 4-0
L354 W. Opferbeck	838	S. Wiechecki	DEC 7-2	1184	T. Schecnterly	DEC 6-4	1493	1	C. Cropanese	DEC 4-0	1699	N. Moore	DEC 4-0
L355 J. Rutan	839	J. Rutan	F 3:33	1185	J. Rutan	TF 4-2 2:43	1496	2	J. Rutan	F 4:06	1700	J. Rutan	DEC 12-9
L356 E. VanNostrand	839	J. Rutan	F 3:33	1185	J. Rutan	TF 4-2 2:43	1496	2	J. Rutan	F 4:06	1700	J. Rutan	DEC 12-9
L357 W. Ackley	840	I. Longenberger	MD 12-2	1186	I. Longenberger	F 2:24	1494	2	S. Tsay	DEC 12-9	1700	J. Rutan	DEC 12-9
L358 I. Longenberger	840	I. Longenberger	MD 12-2	1186	I. Longenberger	F 2:24	1494	2	S. Tsay	DEC 12-9	1700	J. Rutan	DEC 12-9

L1699 C. Cropanese	1974	S. Tsay	5th DEC 6-1
L1700 S. Tsay	3	S. Tsay	5th DEC 6-1

L1495 T. Schecnterly	1975	I. Longenberger	7th F 4:22
L1496 I. Longenberger	1975	I. Longenberger	7th F 4:22

MD-MAWA Eastern Nationals

Advanced

135

N-1. <b>Matthew Almedino</b> Dickson City, PA	359	M. Almedino					
S-4. <b>John Scott Ford</b> Chestertown, MD	11	F 2:53	841	2	M. Almedino		
W-3. <b>Zy McCain Murray</b> Columbia, PA	360	Z. McCain Murray			F 2:08	1497	
E-2. <b>Shane Myiow</b> Belford, NJ	13	DEC 6-2				3	M. Almedino
S-2. <b>Christopher Gaeng</b> Westminster, MD	361	C. Gaeng					MD 11-3
E-3. <b>Yehia Abdelrahman</b> New Providence, NJ	9	DEC 5-1	842	7	C. Gaeng		
BYE					F 3:36		
S-1. <b>Giovanni Patti</b> Audubon, NJ		G. Patti					
E-1. <b>Owen Miller</b> Hillsborough, NJ	362	R. Ferguson					1980
W-4. <b>Rhys Ferguson</b> Frederick, MD	12	DEC 6-4	843	6	D. Grzenda		9
S-3. <b>Jared Schaible</b> Oxford, PA	363	D. Grzenda			DEC 5-3 SV		
N-3. <b>David Grzenda</b> Peckville, PA	8	F 3:24				1498	
S-2. <b>Jerusalem Howard</b> Dover, DE	364	J. Howard				14	D. Kerr
E-5. <b>Shawn Pitruille</b> New Fairfield, CT	7	DEC 6-2	844	8	D. Kerr		DEC 8-2
BYE					MD 13-5		
W-1. <b>Dustin Kerr</b> Pittsburgh, PA		D. Kerr					
		BYE					

L359 J. Ford	845	J. Ford					
L360 S. Myiow	1	FOR	1187	4	J. Howard		
L361 Y. Abdelrahman		L844 J. Howard			DEC 1-0	1499	
BYE		BYE	1188	8	R. Ferguson	4	J. Howard
O. Miller		L843 R. Ferguson			DEC 2-1		DEC 5-2
L362 J. Schaible	2	J. Schaible	1189	9	G. Patti	1	1701
L363 S. Pitruille		L842 G. Patti			DEC 4-3		C. Gaeng
BYE		BYE	1190	6	Z. McCain Murray		DEC 8-4
		L841 Z. McCain Murray			DEC 6-0	1500	
						6	1977
							Z. McCain Murray
							3rd
							DEC 10-4

L1701 J. Howard	DEC 8-4	1978	D. Grzenda		
L1702 D. Grzenda	7		5th		DEC 10-7
	DEC 5-1				

L1499 R. Ferguson	DEC 5-2	1979	R. Ferguson		
L1500 G. Patti	8		7th		F 3:27
	MD 8-0				



**N-1. Waylan Winseman**

Lima, NY	365	W. Winseman	
<b>S-4. Benjamin Ford</b>	14	MD 11-1	<b>847</b>
Edgewater, MD			1
<b>W-3. Levi Smith</b>		J. Heiser	
New Oxford, PA	366	DEC 5-0	
<b>E-2. J D Heiser</b>	11		
Gilbertsville, PA			
<b>E-2. Daniel Redding</b>		M. McCann	
Red Lion, PA	367	F 0:44	
<b>E-3. Matthew McCann</b>	6		<b>848</b>
Bound Brook, NJ			11
BYE		N. Nafshi	
		BYE	
<b>S-1. Nadav Nafshi</b>			
Bryn Mawr, PA			
<b>E-1. Justin Fearon</b>		J. Fearon	
Middletown, NJ	368	MD 14-0	
<b>W-4. Chase Plastino</b>	9		<b>849</b>
New Providence, PA			2
<b>S-3. Cole Pettet</b>		H. Harvey	
Berlin, NJ	369	F 2:57	
<b>N-2. Hayden Harvey</b>	10		
Trout Run, PA			
<b>S-2. Michael Horn</b>		M. Horn	
Turnersville, NJ	370	DEC 5-2	
<b>N-4. Peter Thompson</b>	11		<b>850</b>
Dansville, NY			5
<b>E-4. Fernando Avellan</b>		F. Avellan	
Edison, NJ	371	DEC 11-5	
<b>W-1. Jacob Brua</b>	12		
Newry, PA			

**MD-MAWA Eastern Nationals**

**Advanced**

**140**

L365	B. Ford	851	B. Ford				
L366	L. Smith	12	F 2:24	1191	M. Horn		
			L850	2	TF 16-0 4:17		
L367	D. Redding		D. Redding		1503	J. Fearon	
	BYE		BYE	1192	J. Fearon	12	DEC 2-0
			L849	J. Fearon	12	TF 16-1 4:30	1703
L368	C. Plastino	852	C. Pettet				J. Fearon
L369	C. Pettet	4	DEC 6-0	1193	M. McCann		DEC 7-5
			L848	M. McCann	10	MD 8-0	11
L370	P. Thompson	853	J. Brua		1504	M. McCann	
	J. Brua	6	F 4:30 SV	1194	J. Heiser	5	DEC 6-3
L371			L847	J. Heiser	1	DEC 5-2	1704
						L1502	F. Avellan
							7
							MD 12-1
L1703	N. Nafshi		N. Nafshi				
	DEC 7-5	1982					
L1704	M. McCann	11	5th				
	MD 12-1		MD 11-0				
L1503	M. Horn		M. Horn				
	DEC 2-0	1983					
L1504	J. Heiser	12	F 1:28				
	DEC 6-3						

**1984**

**W. Winseman  
1st  
DEC 3-2 SV**

**1981**

**J. Fearon  
3rd  
F 4:16**

MD-MAWA Eastern Nationals  
Advanced  
145

N-1. **Richie Leslie** Archbald, PA 372 R. Leslie  
 S-5. **Cameron Wagner** Sykesville, MD 8 F 2:10 854 E. Olson  
 W-3. **Ewan Olson** Munhall, PA 373 E. Olson 4 F 2:23 1505 J. Battulga  
 E-3. **Joe Mahoney** New Fairfield, CT 7 F 1:00 11 DEC 4-2  
 W-2. **Alex Surovec** Howard, PA 374 K. Ray DEC 1-0 SV 855 J. Battulga  
 E-4. **Keenan Ray** Bethlehem, PA 13 DEC 7-0 7 DEC 7-0  
 N-4. **Asaac Mead** Hancock, NY 375 J. Battulga  
 S-1. **James Battulga** Stephenson, VA 14 F 4:26 1988 J. Thompson  
 E-1. **Jax Obe** Rocky Hill, NJ 376 J. Obe MD 9-0  
 W-4. **Wylan Damon** York, PA 10 DEC 6-1 856 J. Obe  
 S-3. **Alec Baxley** Wilmington, DE 377 L. Evanko MD 11-2 1506 J. Thompson  
 N-2. **Liam Evanko** Wilks-Barre, PA 11 F 3:16 10 DEC 5-2  
 S-2. **Jose Lazo** Laurel, MD 378 A. Andrew  
 N-3. **Aaron Andrew** Mount Gretna, PA 6 DEC 7-4 857 J. Thompson  
 BYE 2 DEC 6-0  
 W-1. **Jordan Thompson** Bradford, PA BYE

L372 C. Wagner 858 J. Mahoney  
 L373 J. Mahoney 1 F 1:30 1195 J. Mahoney  
 L857 A. Andrew 9 DEC 6-4  
 L374 A. Surovec 859 A. Surovec 1507 J. Mahoney  
 L375 A. Mead 3 DEC 6-3 1196 L. Evanko 13 DEC 5-4 1705 E. Olson  
 L856 L. Evanko 6 DEC 8-5 L1505 E. Olson 5 DEC 4-0  
 L376 W. Damon 860 W. Damon  
 L377 A. Baxley 11 F 2:00 1197 W. Damon  
 L855 K. Ray 7 F 2:45 1508 W. Damon  
 L378 J. Lazo J. Lazo 2 F 4:13 1706 W. Damon  
 BYE BYE 1198 R. Leslie DEC 6-5 L1506 J. Obe 12 DEC 7-0  
 L854 R. Leslie 2 DEC 6-5

L1705 J. Mahoney DEC 4-0 1986 J. Mahoney  
 L1706 J. Obe 11 5th FOR DEC 7-0  
 L1507 L. Evanko DEC 5-4 1987 R. Leslie 7th MD 9-1  
 L1508 R. Leslie 7 F 4:13

MD-MAWA Eastern Nationals

Advanced

152

N-1. <b>Mason Mordan</b> Hughsville, PA	379	12	M. Mordan					
S-4. <b>Joshua Allen</b> Warwick, MD			F 0:57	861	5	E. O'Hara	DEC 4-3	
W-4. <b>Balian Anderson</b> York, PA	380	9	E. O'Hara					
E-2. <b>Eoghan O'Hara</b> Rahway, NJ			MD 8-0					
W-3. <b>Michael Schmit</b> Fawn Grove, PA	381	8	R. Solomon	862	11	V. Corso	MD 9-0	
E-3. <b>Ryan Solomon</b> Abington, PA			DEC 3-0					
W-4. <b>Isak Patti</b> Harrisburg, PA	382	13	V. Corso					
W-1. <b>Vincent Corso</b> Frederick, MD			F 1:03					
E-1. <b>Matthew Di Eduardo</b> Bridgewater, NJ	383	6	M. Di Eduardo	863	11	M. Di Eduardo	MD 11-3	
W-5. <b>Wyatt Lowans</b> Waynesboro, PA			F 3:45					
S-3. <b>William Brooks</b> Ashburn, VA	384	14	Z. Schrage					
N-2. <b>Zack Schrage</b> Elmira, NY			DEC 6-2					
S-2. <b>Stanley Pete III</b> Delmar, DE	385	6	S. Pete III	864	12	S. Pete III	DEC 5-4	
N-3. <b>Donny Winslow</b> Apalachin, NY			F 2:43					
E-4. <b>Adam Suzay</b> Wayne, NJ	386	11	C. Chapman					
W-2. <b>Colton Chapman</b> Philipsburg, PA			DEC 3-1					

1509	14	V. Corso	F 1:53
1510	6	M. Di Eduardo	DEC 5-2
1992	14	M. Di Eduardo	1st DEC 7-5 SV

L379	J. Allen	865	J. Allen	1199	J. Allen			
L380	B. Anderson		MD 11-2		C. Chapman	8	DEC 4-3	
L381	M. Schmit	866	M. Schmit	1200	M. Schmit	4	DEC 4-2 SV	1707
L382	I. Patti	8	MD 14-5		M. Schmit		DEC 6-4	
L383	W. Lowans	867	W. Brooks	1201	R. Solomon		DEC 6-5	
L384	W. Brooks	2	DEC 7-0					
L385	D. Winslow	868	D. Winslow	1202	M. Mordan	1	DEC 2-0 UTB	1708
L386	A. Suzay	4	F 1:48		M. Mordan		DEC 5-0	

L1707	M. Schmit	1990	M. Mordan				
L1708	M. Mordan	5	5th				

L1511	J. Allen	1991	R. Solomon				
L1512	R. Solomon	6	7th				

N-1. **Sam Almedina**

Dickson City, PA	387	S. Almedina	
S-5. <b>Michael Byrne</b>	10	F 1:12	869
Culpeper, VA			11

W-3. <b>Camm Knox</b>	388	W. Capizzi	
Waynesboro, PA	12	F 1:12	
E-2. <b>William Capizzi</b>			
Little Falls, NJ			

W-2. <b>Owen Brady</b>	389	M. Gish	
Columbia, PA	7	F 2:46	870
E-3. <b>Matt Gish</b>			7
Cromwell, CT			

N-4. <b>Carson Turner</b>	390	A. Kuntz	
Hornell, NY	8	MD 13-3	
S-1. <b>A J Kuntz</b>			
Leonardtown, MD			

E-1. <b>Konrad Haugeto</b>		K. Haugeto	
Hopewell, NJ		BYE	871
BYE			3

S-3. <b>Caidyn Leaf</b>	391	M. Garcia	
Mt. Joy, PA	10	DEC 6-2	
E-2. <b>Matteo Garcia</b>			
West Lawn, PA			

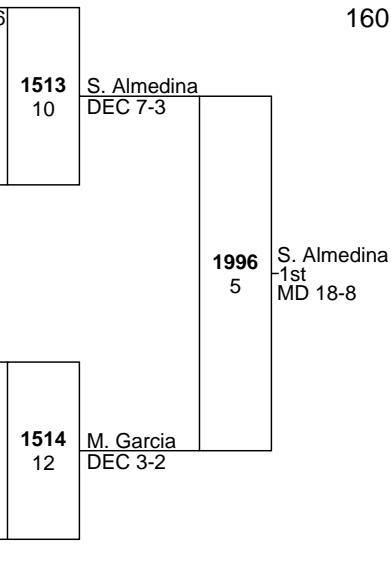
S-2. <b>Ben Fabuien</b>	392	G. Caufield	
Townsend, DE	13	DEC 10-3	
N-3. <b>Gabriel Caufield</b>			
Lake Ariel, PA			

E-4. <b>Cade McDowell</b>	393	M. Wydra	
Downingtown, PA	9	DEC 3-1 SV	872
W-1. <b>Mason Wydra</b>			5
Harrisburg, PA			

MD-MAWA Eastern Nationals

Advanced

160

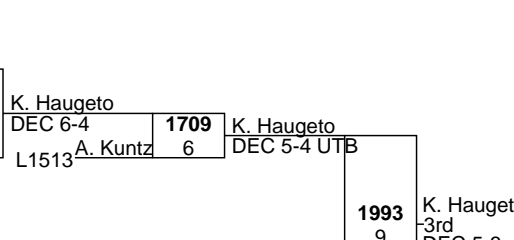


L387	M. Byrne	873	M. Byrne	
L388	C. Knox	6	TF 16-1 3:19	1203
			L872 G. Caufield	11

L389	O. Brady			1515
L390	C. Turner	874	C. Turner	3
		12	DEC 3-0	1204

L391	C. Leaf		C. Leaf	
			BYE	1205
L392	B. Fabuien	875	B. Fabuien	14
			DEC 6-5 SV	1206

L393	C. McDowell		W. Capizzi	
			L869 W. Capizzi	4
				DEC 10-3



L1709	A. Kuntz	DEC 5-4	A. Kuntz	
L1710	M. Wydra	10	5th	MD 15-6
				F 3:53

L1515	M. Byrne	DEC 6-4	M. Byrne	
L1516	W. Capizzi	3	7th	DEC 9-8
				TF 18-3 4:27

MD-MAWA Eastern Nationals

Advanced

171

N-1. <b>Troy Ruffner</b> Bethel, PA		T. Ruffner					
BYE		BYE	<b>876</b>	T. Ruffner	DEC 6-3		
W-3. <b>Bradán Bronson</b> Greensburg, PA	<b>394</b>	B. Bronson	4				
N-2. <b>Jorge Moya</b> Schnecksville, PA	14	DEC 3-2					
W-2. <b>Chase Amspacher</b> Spring Grove, PA	<b>395</b>	J. Geleta					
E-3. <b>Joseph Geleta</b> Little Falls, NJ	11	F 6:00 UTB	<b>877</b>	J. Geleta	DEC 11-6		
N-6. <b>Jayden Hamm</b> South Williamsport, PA	<b>396</b>	J. Di Monte	1				
S-1. <b>J J Di Monte</b> New Market, MD	6	F 1:11					
E-1. <b>Matt Miller</b> Hillsborough, NJ	<b>397</b>	I. Wysocki					
W-4. <b>Ian Wysocki</b> Hanover, PA	12	MD 12-4	<b>878</b>	A. Ryan	DEC 5-4 UTB		
S-3. <b>Aiden Ryan</b> Virginia Beach, VA	<b>398</b>	A. Ryan	8				
N-2. <b>Hunter Blankenhorn</b> Schuylkill Haven, PA	8	DEC 3-2					
S-2. <b>Bojan Sulc</b> Falls Church, VA	<b>399</b>	B. Sulc					
N-4. <b>Mason Marolo</b> Hazelton, PA	7	F 2:31	<b>879</b>	A. Akala	DEC 11-8		
E-4. <b>Chad McConnell</b> Riverdale, NJ	<b>400</b>	A. Akala	11				
W-1. <b>Abdoul Akala</b> Leola, PA	14	TF 18-3 2:51					

1517	6	J. Geleta	DEC 4-2
2000	4	A. Akala	1st DEC 8-2
1518	10	A. Akala	F 2:55

L BYE		J. Moya					
L394 J. Moya		BYE	<b>1207</b>	J. Moya	DQ		
L395 C. Amspacher	<b>880</b>	L879 B. Sulc					
L396 J. Hamm	3	DEC 4-2 SV	<b>1208</b>	C. Amspacher	F 4:08	<b>1711</b>	C. Amspacher
L397 M. Miller	<b>881</b>	L878 I. Wysocki	10	DEC 2-0	L1517 T. Ruffner	2	F 3:49
L398 H. Blankenhorn		DEC 12-5	<b>1209</b>	J. Di Monte			
L399 M. Marolo	<b>882</b>	L877 J. Di Monte	2	F 2:21			
L400 C. McConnell		DEC 13-8	<b>1210</b>	B. Bronson	DEC 6-4	<b>1712</b>	J. Di Monte
		L876 B. Bronson	1	DEC 4-3	L1518 A. Ryan	11	DEC 3-0

L1711 T. Ruffner	F 3:49	<b>1998</b>	T. Ruffner
L1712 A. Ryan	7	5th	DEC 2-1
	DEC 3-0		

L1519 J. Moya	F 4:08	<b>1999</b>	J. Moya
L1520 B. Bronson	8	7th	F 4:14
	DEC 6-4		

1997	1	J. Di Monte	3rd DEC 8-4
------	---	-------------	-------------

**N-1. Mason Higley**

Monroeton, PA  
BYE

**MD-MAWA Eastern Nationals**

Advanced

189

**W-4. Austin Speros**

New Oxford, PA  
401 12

**S-2. Anthony Jackson**

Sicklerville, NJ  
F 1:54

**W-2. Jeremy Hajzus**

Edensburg, PA  
402 7

**W-3. James Hopkins**

Whitehall, PA  
F 4:21

**N-6. Aidan Sterling**

Jim Thorpe, PA  
403 10

**S-1. Teagan Gratkowski**

Smyrna, DE  
DEC 7-3

**E-1. Elbrus Majajah**

Wayne, NJ  
BYE

**S-4. Dasean Butts**

Middletown, MD  
404 9

**N-2. Keeran Timerman**

Canastota, NY  
F 2:29

**S-3. Dionysus Alston**

Magnolia, DE  
405 12

**N-3. Hunter Lavigne**

Horseheads, NY  
DEC 11-7

**E-5. Nicholas Duarte**

Hillsborough, NJ  
406 11

**W-1. Jayden Roop**

Ansted, WV  
F 2:47

BYE

L401 A. Speros BYE  
L886 J. Roop 9

L402 J. Hajzus 887  
L885 T. Gratkowski 1212

L403 T. Gratkowski DEC 6-3  
L885 D. Butts 6

BYE

L404 K. Timerman K. Timerman BYE  
L884 J. Hopkins 8

L405 D. Alston 888  
L883 N. Duarte DEC 8-2 1214

L406 N. Duarte 4 DEC 8-2 1214  
L883 A. Jackson 7

L1713 J. Roop F 0:46 2002  
L1714 H. Lavigne 2 F 1:59

L1714 H. Lavigne 2 TF 16-1 3:00

L1523 T. Gratkowski F 2:00 2003  
L1524 J. Hopkins DEC 9-4 F 4:28

L1524 J. Hopkins DEC 9-4 F 4:28

883 12  
M. Higley DEC 4-3  
1521 2  
A. Sterling DEC 11-9

884 4  
A. Sterling DEC 11-9  
E. Majajah F 0:57  
1522 5

886 6  
H. Lavigne F 1:08  
J. Roop F 2:30  
1523 12  
A. Sterling F 0:46

M. Higley TF 15-0 3:51  
2004 11  
E. Majajah TF 17-1 4:13

M. Higley  
1st  
DEC 3-1 SV

A. Jackson  
3rd  
F 2:52

2001 13

885 7  
E. Majajah F 0:57

887 12  
J. Roop F 2:00  
1713 1  
A. Sterling F 0:46

888 4  
N. Duarte DEC 8-2  
1214 3  
A. Jackson DEC 9-4  
1714 7  
A. Jackson TF 16-1 3:00

889 4  
N. Duarte DEC 8-2  
1214 3  
A. Jackson DEC 9-4  
1714 7  
A. Jackson TF 16-1 3:00

890 4  
N. Duarte DEC 8-2  
1214 3  
A. Jackson DEC 9-4  
1714 7  
A. Jackson TF 16-1 3:00

**N-1. Josiah Rodriguez**

East Stroudsburg, PA  
BYE

J. Rodriguez  
BYE  
**889**  
8

**MD-MAWA Eastern Nationals**

Advanced

220

**W-3. Brooks Hendershol**

Curwensville, PA  
E-2. **Adam Mashfej**  
Wayne, NJ

**407**  
13

A. Mashfej  
F 3:39

A. Mashfej  
F 3:31  
**1525**  
13

**W-2. Alex Brackman**

Pittsburgh, PA  
E-3. **Benjamin Wilcox**  
Woonsocket, RI

**408**  
10

B. Wilcox  
MD 10-0  
**890**  
3

K. DeSantos  
F 2:04

**N-4. Cameron Mosher**

Lima, NY  
S-1. **Kyle DeSantos**  
Leesburg, VA

**409**  
6

K. DeSantos  
DQ 1:13

K. DeSantos  
MD 13-1  
**2008**  
14  
K. DeSantos  
-1st  
DEC 3-1

**E-1. Nicholas Ebrahimi**

Berlin, CT  
S-4. **Cody Schaffer**  
Carlisle, PA

**410**  
7

N. Ebrahimi  
F 0:34  
**891**  
1

N. Ebrahimi  
F 1:17

**S-3. Clifford Dirkes**

Ocean City, NJ  
N-2. **Andrew Mihalichko**  
Effort, PA

**411**  
13

C. Dirkes  
DEC 2-1

**1526**  
6

J. Morrow  
DEC 4-2 SV

**S-2. Jamil Morrow**

Bowie, MD  
N-3. **Clayton Whitenight**  
Berwick, PA

**412**  
8

J. Morrow  
F 3:35  
**892**  
5

J. Morrow  
F 4:11

**E-4. Aidan Martorano**

Secaucus, NJ  
W-1. **Jonathan Winnings**  
Brockway, PA

**413**  
14

J. Winnings  
F 2:56

BYE

L407 B. Hendershol  
BYE  
**1215**  
B. Hendershol  
DEC 2-1

L408 A. Brackman  
L892 J. Winnings  
**1527**  
C. Dirkes  
FOR

L409 C. Mosher  
**893**  
FOR  
A. Brackman  
**1216**  
C. Dirkes  
F 3:39  
L1525 A. Mashfej  
5  
A. Mashfej  
DEC 6-1

L410 C. Schaffer  
**894**  
A. Mihalichko  
DEC 5-0  
**2005**  
9  
A. Mashfej  
-3rd  
DEC 7-5

L411 A. Mihalichko  
L890 B. Wilcox  
**1217**  
B. Wilcox  
DEC 5-0

L412 C. Whitenight  
L891 C. Dirkes  
**1528**  
10  
B. Wilcox  
MD 11-0  
**1716**  
N. Ebrahimi  
F 4:20

L413 A. Martorano  
**895**  
C. Whitenight  
F 3:36  
**1218**  
J. Rodriguez  
DEC 4-2  
L1526 N. Ebrahimi  
2  
F 4:20

L1715 C. Dirkes  
DEC 6-1  
**2006**  
B. Wilcox  
5th  
DEC 6-4 SV

L1716 B. Wilcox  
6  
F 4:20

L1527 B. Hendershol  
FOR  
**2007**  
J. Rodriguez  
7th  
FOR

L1528 J. Rodriguez  
MD 11-0

MD-MAWA Eastern Nationals

Advanced

285

N-1. <b>Landon Andrade</b> Sherburne, NY		L. Andrade				
BYE		BYE				
W-3. <b>Jason Usow</b> York, PA	414	G. McCulloch	896	L. Andrade		
E-2. <b>Gabriel McCulloch</b> Bloomfield, NJ	6	DEC 3-0	6	F 3:39		
W-2. <b>Frank Barrientos</b> Chambersburg, PA	415	F. Barrientos			1529	
E-3. <b>Connor Hudak</b> Schwenksville, PA	7	F 1:11			1	L. Andrade
N-4. <b>Tye Jashan</b> Vestal, NY	416	T. Jashan	897	F. Barrientos		F 3:17
S-1. <b>John Hearon IV</b> Villes, NJ	9	DEC 4-2	7	F 1:25		
E-1. <b>Daniel Schiffert</b> Bethlehem, PA		D. Schiffert				
BYE		BYE				
S-3. <b>Adam Hannon</b> Harrisonburg, VA	417	J. Nguyen	898	D. Schiffert		
N-2. <b>James Nguyen</b> Duncannon, PA	12	DEC 3-2 UTB	2	F 3:59		
S-2. <b>Noah Richards</b> Warrenton, VA	418	N. Obrzut			1530	
N-3. <b>Nathanael Obrzut</b> West Pittston, PA	11	F 2:27			4	D. Schiffert
E-4. <b>Jhonas Eckhardt</b> Hoboken, NJ	419	M. Scarton	899	N. Obrzut		F 0:46
W-1. <b>Marco Scarton</b> Latrobe, PA	13	DEC 10-3	8	DEC 3-2		
						2012
						4
						L. Andrade
						1st
						F 1:59

L	BYE					
L414	J. Usow	J. Usow	1219	J. Usow		
	BYE	BYE	1	DEC 5-0		
L415	C. Hudak	L899 M. Scarton			1531	
	900	C. Hudak	11	C. Hudak		
L416	J. Hearon IV	F 3:30	1220	C. Hudak	1717	
		L898 J. Nguyen	13	DEC 1-0		
L	BYE					
L417	A. Hannon	A. Hannon	1221	T. Jashan		
		BYE	12	FOR		
L418	N. Richards	L897 T. Jashan			1532	
	901	J. Eckhardt	12	G. McCulloch		
L419	J. Eckhardt 3	F 1:13	1222	F 4:15	1718	
		L896 G. McCulloch	10	DEC 2-1		
				L1530 N. Obrzut		
						2009
						11
						C. Hudak
						3rd
						DEC 3-1
L1717	F. Barrientos	N. Obrzut				
	FOR	5th				
L1718	N. Obrzut	FOR	2010			
	DEC 2-1					
L1531	J. Usow	J. Usow	2011			
	DEC 3-1	7th				
L1532	T. Jashan 10	F 2:55				
	F 4:15					



N-1 **Lorenzo Demaio**

Brodheads ville, PA L. Demaio  
 BYE BYE

S-3 **Caiyan Jordon**

Petersburg, VA 420 B. Fournier  
 E-2 **Ben Fournier** 8 F 1:28

S-2 **Joshua Kinchen**

Vineland, NJ 421 B. Grippa  
 E-3 **Blaise Grippa** 12 FOR

Hightstown, NJ 903  
 BYE 6

W-1 **Jacob Sombronski**

Seward, PA J. Sombronski  
 BYE BYE

S-1 **Malachi Stratton**

Frankford, DE M. Stratton  
 BYE BYE

W-4 **Hunter Dobson**

Anita, PA 422 A. Philpot  
 S-4 **Anthony Philpot** 14 DEC 7-3

W-2 **James Bonczewski**

Hanover, PA J. Bonczewski  
 BYE BYE

BYE

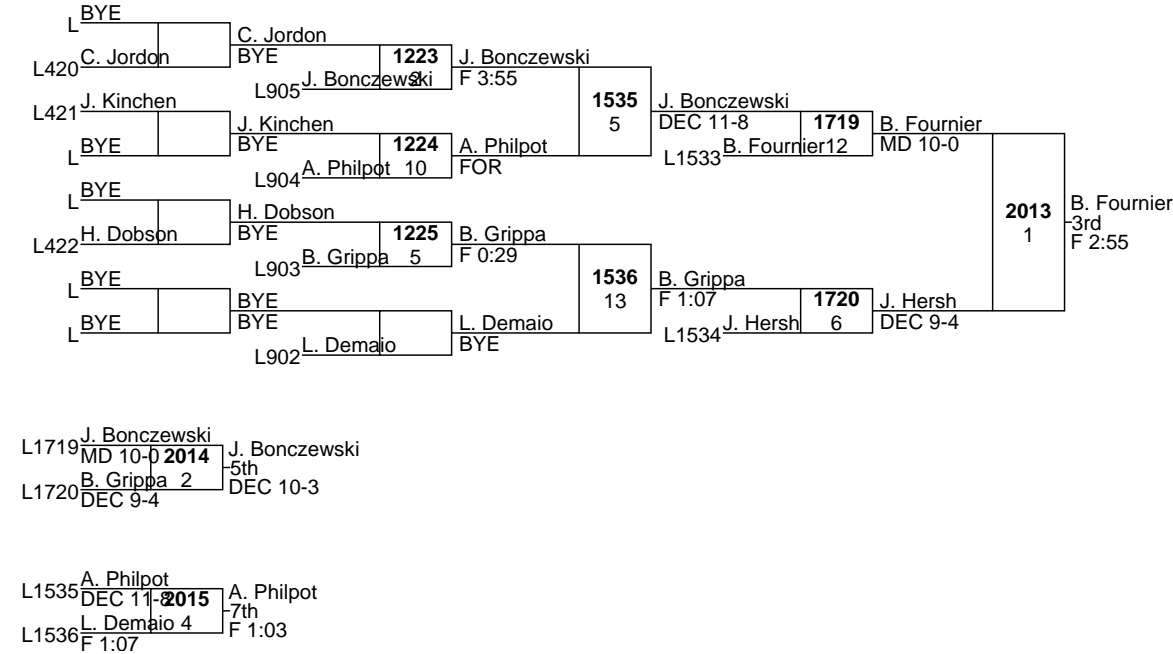
E-1 **Jackson Hersh**

Dresher, PA J. Hersh  
 BYE BYE

MD-MAWA Eastern Nationals

Elite

111



MD-MAWA Eastern Nationals

Elite  
118

W-1 <b>Konner Kerr</b> Gillett, PA		K. Kerr					
BYE		BYE					
S-3 <b>Waylon Rogers</b> Orange, VA	423	W. Rogers	6	906	W. Rogers F 4:05		
E-3 <b>Flynn McDonald</b> New York, NY	10	F 0:22					
N-2 <b>Giovanni DiBiagio</b> Easton, PA		G. DiBiagio					
E-4 <b>Dominic May</b> Glen Mills, PA	424	FOR					
BYE							
W-1 <b>Josef Garshnick</b> Armagh, PA		J. Garshnick					
S-1 <b>Tommy Blankenship</b> Darlington, MD	425	T. Blankenship					
E-6 <b>Keiran Burke</b> Breinigsville, PA	6	TF 15-0 3:00					
W-3 <b>Aidan Alvarez</b> Hagerstown, MD	426	C. Ruben	7	908	T. Blankenship F 2:36		
N-2 <b>Caden Ruben</b> Spencer, NY	7	DEC 9-4					
W-2 <b>George Leischner</b> Wrightsville, PA	427	G. Leischner					
S-4 <b>Shane Maguire</b> Sterling, VA	7	F 0:45					
BYE							
E-2 <b>Brody Ruest</b> Waterford, CT		B. Ruest					
		BYE					

1537	6	J. Garshnick F 3:19	
1538	10	T. Blankenship F 2:40	
2020	12	J. Garshnick 1st F 1:54	

L423	F. McDonald	BYE					
	F. McDonald						
L424	D. May	L909	B. Ruest	6	F 0:33		
	D. May						
L425	K. Burke	L908	C. Ruben				
	K. Burke						
L426	A. Alvarez	L907	G. DiBiagio	9	F 0:48		
	A. Alvarez						
L427	S. Maguire	L906	K. Kerr	11	DEC 3-1		
	S. Maguire						
L1721	C. Ruben						
	C. Ruben						
L1722	K. Kerr						
	K. Kerr						

L1539	B. Ruest						
	B. Ruest						
L1540	G. DiBiagio						
	G. DiBiagio						

MD-MAWA Eastern Nationals

Elite  
125

N-1 <b>Chase Shaner</b> Unityville, PA		C. Shaner					
BYE		BYE		911	C. Shaner		
				7	DEC 8-7		
S-4 <b>Duncan Stadler</b> Washington, DC	428	D. Stadler					
W-3 <b>Diamond Pascoe</b> Whitehall, PA	9	DEC 7-2					
N-5 <b>Wyatt Stranger</b> Monroeton, PA	429	W. Stranger					
E-4 <b>Leo Hanz Tiankee</b> Belleville, NJ	13	F 4:27		912	J. Darlington		
BYE				3	MD 8-0		
W-1 <b>Jack Darlington</b> Centre Hall, PA		J. Darlington					
		BYE					
S-2 <b>Lucas VanNostrand</b> Virginia Beach, VA		L. VanNostrand					
BYE		BYE		913	L. VanNostrand		
				1	MD 10-1		
BYE							
N-2 <b>Edward Lauritsen</b> Saylorsburg, PA		E. Lauritsen					
		BYE					
W-2 <b>Zane Beard</b> Hartville, OH	430	G. Erbe					
N-4 <b>Gabriel Erbe</b> Tamaqua, PA	7	DEC 11-4		914	D. Barrella		
BYE				8	DEC 4-0		
E-1 <b>Dominic Barrella</b> Ridgefield, CT		D. Barrella					
		BYE					

2024  
2  
D. Barrella  
-1st  
DEC 4-0

L BYE							
L428 D. Pascoe		D. Pascoe		1230	D. Pascoe		
		BYE		7	DEC 4-0		
L429 L. Tiankee		L914 G. Erbe		1543	D. Pascoe		
				4	DEC 4-2		
L BYE		L. Tiankee		1231	E. Lauritsen		
		BYE		8	FOR		
L BYE		E. Lauritsen			L1541 C. Shaner		
		FOR			7	MD 10-2	
L BYE							
L BYE		BYE					
L BYE		BYE					
L430 Z. Beard		L912 W. Stranger		1544	D. Stadler		
				10	DEC 10-5		
L BYE		Z. Beard		1724	L. VanNostrand		
		BYE		3	F 0:43		
L BYE		D. Stadler			L1542 L. VanNostrand		
		3	DEC 8-4				

2021  
13  
L. VanNostrand  
-3rd  
MD 13-0

L1723 D. Pascoe		D. Stadler		2022		
		MD 10-2		5th		
L1724 D. Stadler		14		MD 12-4		
		F 0:43				

L1543 E. Lauritsen		W. Stranger		2023		
		DEC 4-2		7th		
L1544 W. Stranger		DEC 4-0				
		DEC 10-5				

MD-MAWA Eastern Nationals

Elite

130

N-1 <b>Caleb Hoffman</b> Luzerne, PA		C. Hoffman					
BYE		BYE		<b>915</b>	C. Hoffman	DEC 4-0	
BYE				7			
E-3 <b>Corey Iannucci</b> Hillsborough, NJ		C. Iannucci					
BYE		BYE					
N-2 <b>Santino Micci</b> Easton, PA	<b>431</b>	S. Micci					
E-4 <b>Joey Lenio</b> Bristol, PA	6	F 1:13		<b>916</b>	L. Garcia	DEC 6-3	
BYE				3			
W-1 <b>Liam Garcia</b> Buckhannon, WV		L. Garcia					
BYE		BYE					
S-1 <b>Christian Ford</b> West Grove, PA		C. Ford					
BYE		BYE		<b>917</b>	C. Ford	DEC 3-0	
BYE				5			
W-4 <b>Jaedyn Caughman</b> Fawn Grove, PA	<b>432</b>	R. Fisher					
N-2 <b>Ryan Fisher</b> Mahanoy City, PA	8	F 2:44					
W-3 <b>Keegan Zeigler</b> Camp Hill, PA		K. Zeigler					
BYE		BYE					
BYE				<b>918</b>	C. Arobone	DEC 4-2	
BYE				1			
E-2 <b>Charlie Arobone</b> Harleysville, PA		C. Arobone					
		BYE					

<b>1545</b>	C. Hoffman	DEC 4-3
3		
<b>2028</b>	C. Hoffman	-1st
6		F 0:50

<b>1546</b>	C. Arobone	DEC 7-6 UTB
12		

BYE		BYE					
BYE		BYE					
BYE							
L431 J. Lenio		L918 K. Zeigler		<b>1547</b>	K. Zeigler	F 2:06	
BYE		J. Lenio		11			
BYE		BYE					
BYE		L917 R. Fisher		<b>1233</b>	R. Fisher	F 4:11	
BYE				14			
L432 J. Caughman		J. Caughman		<b>1234</b>	S. Micci	F 2:25	
BYE		BYE		1			
BYE		L916 S. Micci		<b>1548</b>	S. Micci	DEC 3-2	
BYE				5			
BYE		BYE					
BYE		BYE					
		L915 C. Iannucci					

<b>1725</b>	L. Garcia	F 3:44
10		
<b>2025</b>	L. Garcia	-3rd
3		DEC 3-1

L1725 K. Zeigler		K. Zeigler
F 3:44	<b>2026</b>	-5th
C. Ford	4	DEC 5-2
L1726		DEC 10-5

L1547 R. Fisher		C. Iannucci
F 2:06	<b>2027</b>	-7th
C. Iannucci	5	DEC 5-4
L1548		DEC 3-2

MD-MAWA Eastern Nationals

Elite

135

N-1	<b>Jackson Maby</b> Susquehanna, PA	919	6	J. Maby DEC 4-2	1549	13	J. Maby F 1:02	2032 10	J. Maby 1st DEC 7-4
S-4	<b>Stephen Exum</b> Forestville, MD								
N-4	<b>Luke Magnotta</b> Roaring Brook Twp, PA	920	12	K. Zeigler DEC 6-4					
W-3	<b>Kyle Zeigler</b> Camp Hill, PA								
W-1	<b>Jerry Dattoli</b> New Oxford, PA	921	1	C. Fazekas DEC 6-4	1550	2	J. Loveranes DEC 4-3 UTB		
S-3	<b>Corey Fazekas</b> Elizabeth City, NC								
N-2	<b>Jonathan Stone</b> Wyoming, PA	922	3	J. Loveranes DEC 4-0					
S-1	<b>Jayden Loveranes</b> Reston, VA								

L919	S. Exum	1551	S. Exum	DEC 6-4 UTB	1727	C. Fazekas			
L920	L. Magnotta	3	L1550	C. Fazekas	5	F 0:44	2029	7	C. Fazekas 3rd F 3:35
L921	J. Dattoli	1552	J. Dattoli	F 3:38	1728	J. Dattoli			
L922	J. Stone	1	L1549	K. Zeigler	2	DEC 6-0			

L1727	S. Exum	F 0:44	2030	S. Exum	5th DEC 8-1
L1728	K. Zeigler	8	DEC 6-0		

L1551	L. Magnotta	DEC 6-4	2033	J. Stone	7th FOR
L1552	J. Stone	9	F 3:38		

MD-MAWA Eastern Nationals

Elite

140

N-1	<b>Trevor Cortright</b> Binghamton, NY	433	T. Cortright					
W-4	<b>Brogan Chambers</b> Charleston, WV	14	TF 15-0 2:57	923	8	T. Cortright	DEC 7-3	
S-4	<b>Isaac Choi</b> Glenwood, MD	434	V. Petkov					
E-3	<b>Victor Petkov</b> Ridgefield, CT	12	DEC 4-0					
S-3	<b>Breon Badger</b> Vineland, NJ	435	M. Marsigliano					
E-4	<b>Michael Marsigliano</b> Bridgewater, NJ	11	F 2:38	924	4	J. Rooney	DEC 7-3	
N-4	<b>Hunter Troutman</b> Valley View, PA	436	J. Rooney					
W-1	<b>Jayden Rooney</b> Waynesboro, PA	9	DEC 7-2					
S-1	<b>Trevor Copes</b> Frederica, DE		T. Copes					
BYE			BYE	925	11	T. Copes	F 1:30	
W-3	<b>Kamden Everly</b> Lewistown, PA	437	L. Tirpak					
N-2	<b>Lucas Tirpak</b> Shavertown, PA	10	DEC 8-2					
W-2	<b>Ashton Romberger</b> Chambersburg, PA	438	L. Farley					
N-3	<b>Liam Farley</b> Waymart, PA	13	DEC 4-3	926	7	D. Terracciano	F 3:32	
S-5	<b>James Fisher</b> Salisbury, MD	439	D. Terracciano					
E-2	<b>Dominic Terracciano</b> Keansburg, NJ	14	F 1:55					

1553	10	T. Cortright	DEC 6-0
2036	14	T. Cortright	-1st DEC 4-0

1554	6	T. Copes	DEC 7-5
------	---	----------	---------

L433	B. Chambers	927	B. Chambers					
L434	I. Choi	5	F 3:00	1235	13	L. Farley	F 4:01	
L435	B. Badger	928	H. Troutman					
L436	H. Troutman	FOR	L926 L. Farley	1236	10	L. Tirpak	DEC 9-2	
L	BYE		L925 L. Tirpak					
L437	K. Everly		K. Everly	1237		K. Everly	MD 17-4	
L438	A. Romberger	929	A. Romberger					
L439	J. Fisher	6	MD 12-1	1238	7	V. Petkov	DEC 4-0	

1555	11	L. Tirpak	F 3:43
1729	12	J. Rooney	DEC 3-1
2033	11	L. Tirpak	-3rd DEC 3-1

L1729	J. Rooney	DEC 3-1	2034	J. Rooney	5th
L1730	D. Terracciano	FOR			

L1555	L. Farley	F 3:43	2035	L. Farley	7th
L1556	K. Everly	F 3:00	13	L. Farley	DEC 8-2

N-1 **Richie DeFulvio**

Burlington Twp, NJ  
 R. DeFulvio  
 BYE

MD-MAWA Eastern Nationals

Elite

145

S-3 **Gregory Vasquez**

Rockville, MD  
 440 G. Vasquez  
 W-2 **Seth Pascoe** 7 DEC 4-2

S-2 **Peyton Hollis**

Middletown, MD  
 441 P. Hollis  
 N-4 **Aidric Passerallo** 11 DEC 6-0

W-1 **Colby Seiler**

Lewistown, PA  
 C. Seiler  
 BYE

S-1 **Charles Perrin**

New Castle, DE  
 C. Perrin  
 BYE

E-3 **Brennan McGrann**

Phoenixville, PA  
 442 B. McGrann  
 N-2 **Gavin Bob** 8 DEC 8-4

S-4 **Braxton McAvey**

Quantico, MD  
 443 X. Kirsch  
 N-3 **Xander Kirsch** 6 DEC 6-0

E-1 **Shane Stankina**

Gilbertsville, PA  
 S. Stankina  
 BYE

R. DeFulvio  
 F 1:09  
 1557  
 5  
 R. DeFulvio  
 TF 17-1 4:30

C. Perrin  
 DEC 7-2 UTB  
 1558  
 13  
 S. Stankina  
 F 2:47

S. Stankina  
 DEC 8-7

2040  
 3  
 R. DeFulvio  
 1st  
 F 1:19

L BYE  
 L440 S. Pascoe BYE 1239 X. Kirsch  
 L933 X. Kirsch 2 F 1:58

L441 A. Passerallo L933 X. Kirsch 2 F 1:58  
 A. Passerallo BYE 1240 B. McGrann 10  
 L BYE BYE B. McGrann 6 MD 11-0

L BYE L932 B. McGrann 6 MD 11-0  
 L442 G. Bob G. Bob BYE 1241 G. Bob  
 L931 C. Seiler 12 F 2:07

L443 B. McAvey L931 C. Seiler 12 F 2:07  
 BYE BYE 1242 G. Vasquez 11  
 L930 G. Vasquez 1 DEC 6-4

X. Kirsch  
 DEC 7-2  
 1731 X. Kirsch  
 MD 9-0  
 L1557 P. Hollis 11  
 2037  
 1  
 G. Bob  
 3rd  
 DEC 7-3

L1731 P. Hollis MD 9-0 2038 P. Hollis  
 L1732 C. Perrin 2 5th DEC 2-0  
 DEC 4-3

L1559 B. McGrann DEC 7-2 2039 B. McGrann  
 L1560 G. Vasquez 7th FOR  
 F 0:33

N-1 **Andrew Huesgen**

Shillington, PA

444

A. Huesgen

MD-MAWA Eastern Nationals

Elite

152

W-4 **Logan Ryan**

Smithsburg, MD

7

MD 8-0

934

B. Boyer

S-3 **Xavier Limehouse**

Laurel, DE

445

B. Boyer

DEC 7-0

E-2 **Blake Boyer**

Kennett Square, PA

8

DEC 3-1

S-2 **Gabriel Cortes**

Fredericksburg, VA

446

T. Bock

DEC 6-1

E-3 **Thomas Bock**

New Fairfield, CT

11

BYE

935

M. Gable

BYE

1561  
13

M. Gable  
DEC 5-0

W-1 **Marcus Gable**

Philipsburg, PA

M. Gable

BYE

S-1 **Keagan Judd**

Stephens City, VA

K. Judd

BYE

BYE

936

K. Judd

W-3 **Tanner Millward**

New Sewickley, PA

447

T. Millward

DEC 10-4

N-5 **Jimmy Weikel**

Frackville, PA

9

BYE

937

A. Laboy

N-2 **Jacob Cunningham**

McClure, PA

448

A. Laboy

DEC 8-4

S-4 **Adrien Laboy**

Cape May Court House, NJ

10

BYE

937

A. Laboy

BYE

1562  
2

K. Judd  
DEC 7-0

E-1 **Jayden Iznaga**

Hawthorne, NJ

J. Iznaga

BYE

2044  
7

K. Judd  
1st  
DEC 4-2

L444 **L. Ryan**

938

L. Ryan

L445 **X. Limehouse**

DEC 8-3

1243

J. Iznaga

L446 **G. Cortes**

L937

J. Iznaga

F 2:53

1563

J. Iznaga

L BYE

G. Cortes

BYE

1244

G. Cortes

1

MD 12-0

1733

J. Iznaga

L BYE

L936

T. Millward

5

DEC 6-1

1

L1561

B. Boyer

1

FOR

L447 **J. Weikel**

J. Weikel

BYE

1245

T. Bock

DEC 7-2

L448 **J. Cunningham**

L935

T. Bock

9

1564

J. Cunningham

L BYE

J. Cunningham

BYE

1246

J. Cunningham

13

DEC 9-3

1734

J. Cunningham

L

L934

A. Huesgen

8

DEC 10-5

L1562

A. Laboy

2

DEC 3-2

2041  
4

J. Iznaga  
3rd  
DEC 5-1

L1733 **B. Boyer**

FOR

2042

A. Laboy

L1734 **A. Laboy**

5

5th

FOR

L1563 **G. Cortes**

MD 12-0

2043

G. Cortes

L1564 **T. Bock**

6

7th

DEC 6-4



N-1 **Ayden Hunsinger**

MD-MAWA Eastern Nationals

Wyalusing, PA	449	A. Hunsinger						
W-5 <b>Ryan Kredel</b>	13	DEC 7-6		<b>939</b>	A. Hunsinger			Elite
Conway, PA				6	DEC 2-1			160
S-3 <b>Garrett Landon</b>								
West Grove, PA	450	W. Frawley						
E-4 <b>Wyatt Frawley</b>	12	F 2:15						
Bloomington, NJ								
S-2 <b>Elijah Frame</b>								
Front Royal, VA	451	E. Frame						
E-5 <b>Nicholas Rotolo</b>	6	DEC 6-4		<b>940</b>	T. Green			
Old Tappan, NJ				1	F 3:46			
N-5 <b>Connor Stotler</b>								
Lockwood, NY	452	T. Green						
S-1 <b>Travis Green</b>	10	F 2:26						
Manchester, MD								
S-1 <b>Ryan Flammer</b>								
Oakridge, NJ		R. Flammer						
BYE		BYE		<b>941</b>				
				3	R. Vanderpool			
W-3 <b>Austin McCloskey</b>					DEC 7-6			
Loretto, PA	453	R. Vanderpool						
N-2 <b>Riley Vanderpool</b>	8	F 1:02						
Towanda, PA								
W-2 <b>Garrett Lowans</b>								
Waynesboro, PA	454	C. Stephen						
N-4 <b>Chase Stephen</b>	14	DEC 7-5		<b>942</b>	G. Catlow-Sidler			
Klingerstown, PA				2	F 2:06			
S-4 <b>Kyle Jacobs</b>								
Staten Island, NY	455	G. Catlow-Sidler						
E-2 <b>Greyson Catlow-Sidler</b>	6	DEC 8-6						
Philadelphia, PA								

1565	3	T. Green	DEC 3-2
2048	11	T. Green	1st DEC 11-4

1566	11	R. Vanderpool	DEC 10-9
------	----	---------------	----------

L449	R. Kredel							
	<b>943</b>	R. Kredel						
L450	G. Landon 8	DEC 10-9	<b>1247</b>	C. Stephen				
			3	F 2:59				
L451	N. Rotolo							
	<b>944</b>	C. Stotler		<b>1567</b>	R. Flammer			
	11	F 4:30	<b>1248</b>	6	DEC 8-4	<b>1735</b>	A. Hunsinger	
L452	C. Stotler						DEC 4-2	
	BYE							
L453	A. McCloskey	A. McCloskey	<b>1249</b>	E. Frame				
		BYE	1	DEC 6-4				
L454	G. Lowans			<b>1568</b>	K. Jacobs			
	<b>945</b>	K. Jacobs		10	DEC 2-0	<b>1736</b>	G. Catlow-Sidler	
L455	K. Jacobs	DEC 4-3	<b>1250</b>	K. Jacobs				
	12		14	DEC 9-7				

L1735	R. Flammer							
	DEC 4-2	<b>2046</b>	K. Jacobs					
L1736	K. Jacobs	9	5th	DEC 6-1				
	F 1:58							

L1567	C. Stephen							
	DEC 8-4	<b>2047</b>	C. Stephen					
L1568	E. Frame	10	7th	DEC 8-3				
	DEC 2-0							

N-3 **Aaron Fredenburg**

Baldwinsville, NY

456

J. Ebaugh

MD-MAWA Eastern Nationals

S-4 **Jacob Ebaugh**

Middletown, DE

7

F 2:28

946

J. Kean  
DEC 9-4

Elite

171

BYE

E-2 **Jackson Kean**

Fallsington, PA

J. Kean

BYE

1569

I. Feeney  
DEC 3-0

S-2 **Seth Weaver**

Chevy Chase, MD

457

D. Roberts

E-3 **Drayun Roberts**

East Hartford, CT

12

DEC 2-1

947

I. Feeney  
DEC 6-5

BYE

W-1 **Isaiah Feeney**

Dallastown, PA

I. Feeney

BYE

2052

N. Hall  
1st  
DEC 10-3

S-1 **Noah Hall**

Remington, VA

N. Hall

BYE

948

N. Hall  
DEC 3-2

BYE

W-2 **Josh Jordan**

Uniontown, PA

458

J. Jordan

E-4 **Corey Bradley**

Glenside, PA

11

MD 13-4

1570

N. Hall  
DEC 7-1

W-3 **Avery Aurand**

Lewistown, PA

459

A. Aurand

N-4 **Richy Halford**

Ringtown, PA

9

DEC 6-2

949

A. Aurand  
DEC 3-2

BYE

E-1 **Gavin Gomes**

Denville, NJ

G. Gomes

BYE

L456 **A. Fredenburg**

BYE

A. Fredenburg

BYE

1251

G. Gomes

F 2:36

L457 **S. Weaver**

BYE

S. Weaver

BYE

1252

J. Jordan

DEC 9-4

1571

J. Jordan  
DEC 2-1

1737

J. Kean  
DEC 7-2

L458 **C. Bradley**

BYE

C. Bradley

BYE

1253

D. Roberts

MD 12-4

1572

J. Ebaugh  
F 3:00

1738

A. Aurand  
DEC 4-3

L459 **R. Halford**

BYE

R. Halford

BYE

1254

J. Ebaugh

MD 12-4

L1570

2049

A. Aurand  
3rd  
F 2:11

L1737 **J. Jordan**

DEC 7-2

J. Jordan

5th

DEC 10-9

L1738 **J. Ebaugh**

DEC 4-3

L1571 **G. Gomes**

DEC 2-1

G. Gomes

7th

DEC 13-11 SV

L1572 **D. Roberts**

F 3:00

MD-MAWA Eastern Nationals

Elite

189

S-2 <b>Ivan Neal Jr</b> Georgetown, DE	BYE	I. Neal Jr	BYE	950	6	F. Martino	F 2:27		
W-4 <b>Caden Shockey</b> Waynesboro, PA	460	F. Martino	MD 12-1					1573	1
E-3 <b>Frankie Martino</b> Little Falls, NJ	13								
N-4 <b>Joseph Rivas Jr</b> Ashley, PA	461	J. Rivas Jr	MD 10-1	951	13	C. Chamberlain	F 2:30		
S-3 <b>Liam DeBaugh</b> Annapolis, MD	14								
W-1 <b>Carter Chamberlain</b> Clearfield, PA		C. Chamberlain	BYE						
S-1 <b>Landon Jobber-Spence</b> Warrenton, VA		L. Jobber-Spence	BYE	952	12	L. Jobber-Spence	MD 11-0		
W-2 <b>Blaine Plastino</b> New Providence, PA		B. Plastino	BYE					1574	6
W-3 <b>Evan Letky</b> Pittsburgh, PA	462	E. Letky	DEC 9-3	953	11	Z. Darwish	F 1:50		
S-4 <b>Nathan Kovalcik</b> Smithsburg, MD	8								
E-2 <b>Zakaria Darwish</b> Franklin Lakes, NJ		Z. Darwish	BYE						

2056  
11  
C. Chamberlain  
-1st  
DEC 6-1

L460	BYE	C. Shockey	BYE	1255	12	E. Letky	DEC 3-0		
L461	L. DeBaugh	L953	E. Letky					1575	11
	BYE	L. DeBaugh	BYE	1256		B. Plastino	FOR	1739	9
	BYE	L952	B. Plastino						
L462	BYE	BYE	BYE			J. Rivas Jr	BYE		
	N. Kovalcik	L951	J. Rivas Jr					2053	9
	BYE	N. Kovalcik	BYE	1576		J. Rivas Jr	FOR		
	BYE	L950	I. Neal Jr	1257		N. Kovalcik	FOR	1740	
L1739	E. Letky	F 0:42	E. Letky						
L1740	Z. Darwish	FOR	Z. Darwish	2054					
L1575	B. Plastino	DEC 4-3	B. Plastino						
L1576	N. Kovalcik	FOR	N. Kovalcik	2055					

2053  
9  
F. Martino  
-3rd  
F 2:10

N-2 **Chad Beller Jr**

Catasauqua, PA		C. Beller Jr	
BYE		BYE	<b>954</b>

MD-MAWA Eastern Nationals

Elite

220

S-3 **Luciano Mazzeo**

Glassboro, NJ	<b>463</b>	N. Burks	
Williamsport, PA	10	DEC 7-6	

S-2 **William Applegarth**

Rockville, MD	<b>464</b>	W. Applegarth	
Dansville, VA	7	F 3:59	

N-6 **Elijah Bender**

BYE		D. Koser	<b>955</b>
		BYE	10

W-1 **Diesel Koser**

Shippensburg, PA		D. Koser	
BYE		BYE	

S-1 **Alex Hoy**

Myersville, MD		A. Hoy	
BYE		BYE	<b>956</b>

W-3 **Zack Stromock**

Venetia, PA	<b>465</b>	R. Ranger	
Hornell, NY	6	DEC 10-8	

W-2 **Andrew Hensal**

Philipsburg, PA	<b>466</b>	L. Matheis	
Arcade, NY	12	DEC 4-2	

N-5 **Luke Matheis**

BYE		L. Ainbinder	<b>957</b>
		DEC 4-0	2

S-4 **Jordan Curry**

Milford, DE	<b>467</b>	L. Ainbinder	
Belford, NJ	14	DEC 5-0	

BYE

L463	L. Mazzeo	BYE	<b>1258</b>	L. Matheis	
				F 1:58	

L464	E. Bender	BYE	<b>1259</b>	R. Ranger	<b>1579</b>
				F 2:32	10

L465	Z. Stromock	BYE	<b>1260</b>	Z. Stromock	
				DEC 5-4	

L466	A. Hensal	BYE	<b>958</b>	J. Curry	<b>1580</b>
				F 4:16	5

L467	J. Curry	F 2:55	<b>1261</b>	J. Curry	<b>1742</b>
				F 2:23	3

L1741	R. Ranger	F 2:13	<b>2058</b>	J. Curry	
				5th	

L1742	J. Curry	MD 12-0	4	F 1:46	

L1579	L. Matheis	DEC 8-1	<b>2059</b>	L. Matheis	
				7th	

L1580	Z. Stromock	DEC 4-2	<b>2057</b>	Z. Stromock	
				3rd	

L1577	L. Matheis	DEC 8-1	<b>1741</b>	C. Beller Jr	
				F 2:13	

L1577	C. Beller Jr	F 2:13	14		

L1578	A. Hoy	MD 12-0	3		

L1578	L. Ainbinder	DEC 7-5	<b>1578</b>	L. Ainbinder	
				DEC 4-0	11

L1577	A. Hoy	F 0:52	<b>956</b>	A. Hoy	
				F 0:52	4

L1577	D. Koser	DEC 3-0	<b>1577</b>	D. Koser	
				DEC 3-0	3

L1577	D. Koser	DEC 6-4	<b>2060</b>	D. Koser	
		UTB		1st	

L1577	D. Koser	DEC 3-0	<b>955</b>	D. Koser	
				DEC 3-0	10

L1577	C. Beller Jr	DEC 7-2	<b>954</b>	C. Beller Jr	
				DEC 7-2	9

L1577	L. Ainbinder	DEC 7-5	<b>1578</b>	L. Ainbinder	
				DEC 7-5	11

L1577	A. Hoy	F 0:52	<b>956</b>	A. Hoy	
				F 0:52	4

L1577	D. Koser	DEC 3-0	<b>955</b>	D. Koser	
				DEC 3-0	10

L1577	C. Beller Jr	DEC 7-2	<b>954</b>	C. Beller Jr	
				DEC 7-2	9

L1577	L. Ainbinder	DEC 7-5	<b>1578</b>	L. Ainbinder	
				DEC 7-5	11

L1577	A. Hoy	F 0:52	<b>956</b>	A. Hoy	
				F 0:52	4

L1577	D. Koser	DEC 3-0	<b>955</b>	D. Koser	
				DEC 3-0	10

N-2 **Hunter Hauck**

Dewart, PA		H. Hauck	
BYE		BYE	<b>959</b>

S-3 **Jordan Williams**

Upper Marlboro, MD	<b>468</b>	D. Bledsoe	14
E-2 <b>Dylan Bledsoe</b>	9	DEC 5-0	

S-2 **Clay Lawrence**

Whiteford, MD	<b>469</b>	C. Lawrence	
E-4 <b>Brody Sager</b>	11	DEC 3-2	

N-5 **Yerick Tlacuati**

Frackville, PA	<b>470</b>	B. Ewing	5
W-1 <b>Braden Ewing</b>		FOR	

S-1 **Stephen Goodman**

Wilmington, DE		S. Goodman	
BYE		BYE	<b>961</b>

W-3 **Ben Lloyd**

Pittsburgh, PA	<b>471</b>	A. Hidlay	8
N-3 <b>Aiden Hidlay</b>	13	F 6:00 UTB	

W-2 **Haiden Inch**

Mt Union, PA	<b>472</b>	H. Inch	
N-4 <b>Jermain Moxam</b>	12	TF 21-6 4:02	

S-4 **Eliedxander Jaraquin**

New Castle, DE	<b>473</b>	E. Jaraquin	14
E-1 <b>Jacob Howland</b>	8	DEF 5:57 UTB	

MD-MAWA Eastern Nationals

Elite

285

L BYE

L468	J. Williams	J. Williams	BYE	<b>1262</b>	H. Inch	6	DEC 8-2
------	-------------	-------------	-----	-------------	---------	---	---------

L469	B. Sager	L962	H. Inch	<b>1583</b>	H. Inch	2	DEC 8-1
------	----------	------	---------	-------------	---------	---	---------

L470	Y. Tlacuati	10	B. Sager	<b>1263</b>	B. Sager	3	DEC 3-1
------	-------------	----	----------	-------------	----------	---	---------

L1581	D. Bledsoe	<b>1743</b>	H. Inch	FOR
-------	------------	-------------	---------	-----

L471	B. Lloyd	B. Lloyd	BYE	<b>1264</b>	C. Lawrence		DEC 6-1
------	----------	----------	-----	-------------	-------------	--	---------

L472	J. Moxam	L960	C. Lawrence	<b>1584</b>	C. Lawrence	1	F 3:59
------	----------	------	-------------	-------------	-------------	---	--------

L473	J. Howland	7	J. Moxam	<b>1265</b>	H. Hauck	2	DEC 5-3
------	------------	---	----------	-------------	----------	---	---------

L1582	S. Goodman	<b>1744</b>	S. Goodman	4	MD 14-5
-------	------------	-------------	------------	---	---------

<b>2061</b>	S. Goodman	8	3rd	F 3:12
-------------	------------	---	-----	--------

L1743	D. Bledsoe	FOR	C. Lawrence	<b>2062</b>	5th
-------	------------	-----	-------------	-------------	-----

L1744	C. Lawrence	MD 14-5	FOR
-------	-------------	---------	-----

L1583	B. Sager	DEC 8-1	B. Sager	<b>2063</b>	7th
-------	----------	---------	----------	-------------	-----

L1584	H. Hauck	9	F 0:12
-------	----------	---	--------

<b>1581</b>	B. Ewing	FOR
-------------	----------	-----

<b>1582</b>	E. Jaraquin	13	DEC 6-4 SV
-------------	-------------	----	------------

<b>2064</b>	B. Ewing	7	1st	F 2:09
-------------	----------	---	-----	--------

S-1 **Quantez Watkins**

Smyrna, DE  
 BYE Q. Watkins  
 BYE 4030

W-3 **Sam Hoover**

York, PA  
 4001 S. Hoover  
 7 F 0:17

N-6 **Freya Lauritsen**

Saylorsburg, PA

W-2 **Zachary Bryant**

Thurmont, MD  
 Z. Bryant  
 BYE 4031

BYE T. Bodie  
 BYE 4031

N-1 **Tristyn Bodie**

Honesdale, PA  
 D. Flatt  
 BYE 4032

E-1 **Dom Flatt**

Quarryville, PA  
 BYE 4032

N-3 **Carlos Cruz**

Catasauqua, PA  
 4002 R. Payne  
 8 F 2:23

S-2 **Ryan Payne**

Salisbury, MD  
 B. Gingrich  
 BYE 4033

E-4 **Bryson Gingrich**

Robesonia, PA  
 BYE 4033

BYE A. Ibrahim  
 BYE 4033

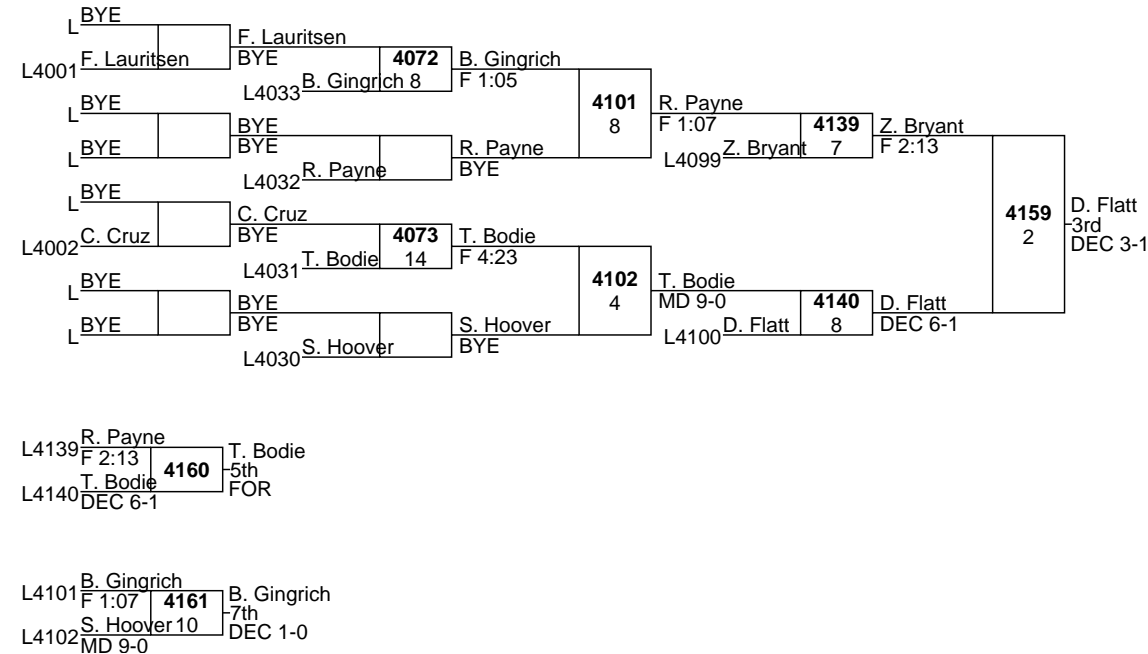
S-1 **Azmir Ibrahim**

Carlisle, PA

MD-MAWA Eastern Nationals

Open

125



MD-MAWA Eastern Nationals

Open

135

S-1 <b>Jarrold Garnett</b> Newark, DE		J. Garnett					
BYE		BYE		4034	J. Garnett		
				7	F 1:40		
W-4 <b>Lacie Youngblood</b> Felton, PA	4003	O. Breidegan				4103	J. Garnett
N-5 <b>Owen Breidegan</b> Fredericksburg, PA	8	F 0:36				9	F 2:05
S-2 <b>Hunter Green</b> Manchester, MD		H. Green					
BYE		BYE		4035	D. White		
				9	DEC 9-3		
E-4 <b>Adrian Kebuz</b> Huntingdon Valley, PA	4004	D. White					
N-1 <b>David White</b> Athens, PA	7	F 3:26					4166
							13
E-1 <b>Bryant Lighty</b> Prospect Park, NJ		B. Lighty					J. Garnett
BYE		BYE		4036	B. Lighty		1st
				8	MD 9-0		DEC 6-1
N-6 <b>Isaac Hernandez</b> Monticello, NY	4005	I. Hernandez					
S-5 <b>Noah Green</b> Joint Base Andrews, MD	9	DEC 2-0 SV				4104	B. Lighty
						8	DEC 5-2
S-3 <b>Jack Thode</b> Harrington, DE		J. Thode					
BYE		BYE		4037	J. Thode		
				4	F 3:30		
BYE		B. Schisler					
W-1 <b>Brennan Schisler</b> York Springs, PA		BYE					

L	BYE						
L4003	L. Youngblood	BYE		4074	B. Schisler		
				4	F 0:52		
L	BYE					4105	B. Schisler
						3	DEC 4-2
L4004	A. Kebuz	BYE		4075	I. Hernandez	4141	D. White
					F 0:59	8	F 3:21
L	BYE						
L4005	N. Green	BYE		4076	H. Green		4163
				9	DEC 2-1		14
L	BYE						
						4106	H. Green
L	BYE					4	DEC 6-2
L	BYE						
L4034	O. Breidegan	BYE				4142	J. Thode
						7	F 0:53

L4141	B. Schisler						
	F 3:21			4164	B. Schisler		
L4142	H. Green	5			5th		
	F 0:53				DEC 3-1 SV		

L4105	I. Hernandez						
	DEC 4-2			4165	I. Hernandez		
L4106	O. Breidegan				7th		
	DEC 6-2				DEC 3-2		

MD-MAWA Eastern Nationals

Open  
142

S-1 <b>Isaac Barber</b> Edgewater, MD		I. Barber					
BYE		BYE		<b>4038</b>	C. De Maille		
				8	MD 9-1		
N-4 <b>Matt Warner</b> Pine Grove, PA	<b>4006</b>	C. De Maille					
W-4 <b>Chase De Maille</b> Frederick, MD	8	F 1:51					
W-2 <b>Justin Darlington</b> Centre Hall, PA	<b>4007</b>	T. DeCato					
E-4 <b>Tony DeCato</b> West Haven, CT	7	DEC 7-4					
BYE				<b>4039</b>	T. DeCato		
				9	DEC 6-4		
N-1 <b>Austin King</b> Tremont, PA		A. King					
		BYE					
N-2 <b>Joseph Irizarry</b> Reading, PA		J. Irizarry					
BYE		BYE		<b>4040</b>	J. Higgins		
				7	F 4:13		
S-3 <b>James Higgins</b> Gloucester City, NJ	<b>4008</b>	J. Higgins					
N-3 <b>C J Morton</b> Lancaster, PA	8	DEC 4-2					
S-2 <b>Rashad Stratton</b> Frankford, DE	<b>4009</b>	R. Stratton					
N-3 <b>Brian Vaughn</b> Bloomingburg, NY	9	MD 10-0					
BYE				<b>4041</b>	B. Cipriani		
				4	DEC 1-0		
W-1 <b>Brad Cipriani</b> Pittsburgh, PA		B. Cipriani					
		BYE					

**4170**  
3  
B. Cipriani  
1st  
DEC 2-0 SV

L	BYE						
L4006	M. Warner	BYE	<b>4077</b>	R. Stratton			
			4	F 1:25			
L4007	J. Darlington	L4041		<b>4109</b>	R. Stratton		
				3	DEC 5-0		
L	BYE	J. Darlington	<b>4078</b>	J. Darlington	<b>4143</b>	C. De Maille	
		BYE	8	DEC 12-6	L4107	C. De Maille	
L	BYE	J. Irizarry					
L4008	C. Morton	C. Morton	<b>4079</b>	C. Morton			
		BYE	14	F 1:07			
L4009	B. Vaughn	L4039	A. King	<b>4110</b>	I. Barber		
				8	DEC 5-1		
L	BYE	B. Vaughn	<b>4080</b>	I. Barber	<b>4144</b>	I. Barber	
		BYE	8	F 2:42	L4108	J. Higgins	
		L4038					
							<b>4167</b> 11 C. De Maille 3rd F 0:31
L4143	R. Stratton	R. Stratton	<b>4168</b>				
	DEC 6-2	5th					
L4144	J. Higgins	FOR	6				
	DEC 12-9						
L4109	J. Darlington	C. Morton	<b>4169</b>				
	DEC 5-0	7th					
L4110	C. Morton	DEC 5-3 SV	4				
	DEC 5-1						



S-1 Jimmy Garrett

Egg Harbor Township, NJ  
BYE J. Garrett  
BYE

MD-MAWA Eastern Nationals

Open

150

BYE 4042 14

W-2 Grayson Charles  
New Providence, PA  
BYE G. Charles

W-2 Tyler Debnar  
Marianna, PA  
4010 8 A. Soriano  
F 2:29

E-3 Alexis Soriano  
Perth Amboy, NJ  
BYE C. Daudelin  
BYE

N-1 Chase Daudelin  
Corning, NY  
BYE

E-1 Michael Foca  
Hackensack, NJ  
BYE M. Foca  
BYE

N-6 Blake O'Brien  
Sandy Spring, MD  
4011 7 C. Listorti  
F 2:01

S-2 Chase Listorti  
Pasedena, MD  
BYE

N-4 Justin McCloskey  
Lock Haven, PA  
4012 9 A. Fisher  
F 1:56

S-5 Anthony Fisher  
Hartkey, DE  
BYE R. Wilson  
BYE

W-1 Ryan Wilson  
McVeytown, PA  
BYE

BYE R. Wilson  
BYE

BYE

BYE

BYE

BYE

L4010 T. Debnar  
BYE L4045 A. Fisher  
BYE

BYE T. Debnar  
BYE 4081 8 C. Listorti  
MD 15-7

BYE L4044 C. Listorti  
BYE

L4011 B. O'Brien  
BYE B. O'Brien  
BYE 4082 9 C. Daudelin  
F 4:02

L4012 J. McCloskey  
BYE L4043 C. Daudelin  
BYE

BYE J. McCloskey  
BYE 4083 14 J. Garrett  
FOR

BYE

BYE

L4145 G. Charles  
DEC 4-1 4172 5th  
FOR

L4146 C. Daudelin  
FOR

L4113 C. Listorti  
MD 14-1 4173 7th  
FOR

L4114 J. McCloskey  
FOR

G. Charles  
DEF 3:21

4111 7

A. Soriano  
DEC 3-1

A. Soriano  
DEC 8-3

M. Foca  
DEC 5-1

4112 8

M. Foca  
DEC 3-1 SV

R. Wilson  
DEC 3-2

4174 2

M. Foca  
1st  
DEC 2-1 UTB

A. Fisher  
3rd  
DEC 6-4

A. Fisher  
DEC 4-1

G. Charles 8

A. Fisher  
DEC 4-1

4145 8

A. Fisher  
DEC 4-1

4171 12

A. Fisher  
3rd  
DEC 6-4

C. Daudelin  
FOR

R. Wilson  
FOR

4146 8

R. Wilson  
FOR

4172 5th

G. Charles  
5th  
FOR

4173 7th

C. Listorti  
7th  
FOR

4146 8

R. Wilson  
FOR

S-1 **Isaiah Brooks**

Hagerstown, MD  
BYE

I. Brooks  
BYE  
4046  
7

MD-MAWA Eastern Nationals

Open

158

N-4 **Xavier deJesus-Remchuk**

Hornell, NY  
E-2 **Anthony Romaniello**  
Flemington, NJ  
4013  
8

A. Romaniello  
MD 12-0

A. Romaniello  
DEC 3-0  
4115  
7

W-3 **Paydon Tyrrell**

Kittanning, PA  
BYE

P. Tyrrell  
BYE  
4047  
4

BYE  
N-1 **Brendon Colbert**  
Hagerstown, MD

B. Colbert  
BYE

B. Colbert  
MD 11-1  
4178  
13

B. Colbert  
1st  
DEC 9-7

E-1 **Jackson Erb**

Langhorne, PA  
BYE

J. Erb  
BYE  
4048  
14

N-3 **Colton Chipeleski**

Sugarloaf, PA  
S-4 **Isaiah Frame**  
Front Royal, VA  
4014  
7

I. Frame  
F 3:38

J. Erb  
F 0:38  
4116  
8

N-2 **Aidan Green**

Addison, NY  
BYE

A. Green  
BYE  
4049  
14

BYE  
W-1 **Russell Davidson**  
Shippensburg, PA

R. Davidson  
BYE

R. Davidson  
DEC 4-3

J. Erb  
F 0:53

BYE

L4013 X. deJesus-Remchuk  
BYE  
4084  
9

A. Green  
DEC 4-3

BYE  
L4049 A. Green  
BYE

4117  
7

A. Green  
DEC 8-3  
4147  
A. Romaniello  
MD 11-0

BYE  
L4048 I. Frame  
BYE

I. Frame  
BYE

L4115 A. Romaniello  
MD 11-0  
4175  
14

I. Brooks  
3rd  
DEC 7-4

L4014 C. Chipeleski  
BYE  
4085  
8

C. Chipeleski  
F 3:24

BYE  
L4047 P. Tyrrell  
BYE

4118  
8

I. Brooks  
MD 15-3  
4148  
I. Brooks  
MD 12-2

BYE  
L4046 I. Brooks  
BYE

I. Brooks  
BYE

L4147 A. Green  
MD 11-0  
4176  
5th

A. Green

L4148 R. Davidson  
MD 12-2

F 3:17

L4117 I. Frame  
DEC 8-3  
4177  
7th

C. Chipeleski

L4118 C. Chipeleski  
MD 15-3

F 4:18

S-1 **Nicolas Zamaloff**

Wall, NJ  
 N. Zamaloff  
 BYE BYE

MD-MAWA Eastern Nationals

Open

167

W-6 **Cameron Stevens**

Hanover, PA  
 4015 C. Stevens

E-3 **Michael Fernandez**

Perth Amboy, NJ  
 9 MD 11-0

W-4 **Dan Boring**

Scottsdale, PA  
 4016 D. Boring

E-4 **Dominic Stoughton**

Jamison, PA  
 8 DEC 8-6 SV

BYE B. Breidegan  
 4051 8

N-1 **Brandon Breidegan**

Fredericksburg, PA  
 BYE

E-2 **Jake Potter**

Langhorne, PA  
 J. Potter

BYE BYE

N-3 **Bret Murphy**

Beltsville, MD  
 4017 B. Murphy

S-2 **Caleb Thamert**

Salisbury, MD  
 7 DEC 5-1

N-2 **Connor Jones**

Danville, PA  
 C. Jones

BYE BYE

S-4 **Joshua Damico**

Woodbridge, VA  
 4018 C. Ashby

W-3 **Cameron Ashby**

Hagerstown, MD  
 8 MD 9-0

BYE

L4015 M. Fernandez BYE M. Fernandez 4086 C. Jones

L4016 D. Stoughton L4053 C. Jones 14 DEC 6-0

BYE D. Stoughton 4121 B. Murphy

BYE BYE 4087 B. Murphy F 0:43 4149 B. Murphy

BYE L4052 B. Murphy 14 F 3:36 L4119 B. Breidegan 8 FOR

BYE C. Thamert

L4017 C. Thamert BYE 4088 D. Boring

BYE L4051 D. Boring 14 FOR

BYE J. Damico 4122 C. Stevens

L4018 J. Damico BYE 4089 C. Stevens 7 DEC 7-3 4150 C. Stevens

L4050 C. Stevens 9 DEC 4-2 L4120 C. Ashby 7 DEC 4-3

L4149 B. Breidegan FOR 4180 C. Ashby

L4150 C. Ashby 9 5th FOR

L4121 C. Jones F 0:43 4181 D. Boring

L4122 D. Boring 7 DEC 4-2 SV

DEC 7-3

BYE

BYE

BYE

BYE

BYE

BYE

BYE

BYE

BYE

BYE

BYE

BYE

BYE

BYE

BYE

BYE

BYE

BYE

BYE

BYE

BYE

BYE

BYE

BYE

BYE

BYE

BYE

BYE

BYE

BYE

BYE

BYE

BYE

BYE

BYE

BYE

BYE

BYE

BYE

4182 N. Zamaloff  
 9 1st  
 F 2:06

4120 J. Potter  
 8 DEC 6-4 SV

4053 C. Ashby  
 4 DEC 1-0

4052 J. Potter  
 7 MD 12-1

4051 B. Breidegan  
 8 DEC 3-1

4119 N. Zamaloff  
 7 DEC 5-4

4121 B. Murphy  
 8 F 0:43

4122 C. Stevens  
 7 DEC 7-3

4150 C. Stevens  
 7 DEC 4-3

4180 C. Ashby  
 9 5th FOR

4181 D. Boring  
 7 DEC 4-2 SV

4179 B. Murphy  
 5 3rd  
 MD 8-0

S-2 **John Furgeson Jr**

Damascus, MD  
BYE

J. Furgeson Jr  
BYE

MD-MAWA Eastern Nationals

Open

177

W-4 **Kyle Keefe**

Bradford, PA  
4019

K. Keefe  
DEF 2:21

E-2 **Luis Morales**

Philadelphia, PA  
7

W-3 **Derek Grafton**

Ford City, PA  
BYE

D. Grafton  
BYE

BYE

N-1 **Kade Kravits**

Wilks-Barre, PA  
BYE

K. Kravits  
BYE

E-1 **Talon Pisarchuk**

Bensalem, PA  
BYE

T. Pisarchuk  
BYE

BYE

S-4 **James Eveland**

Elkton, MD  
BYE

J. Eveland  
BYE

N-2 **Dylan Hogan**

Bushkill, PA  
BYE

D. Hogan  
BYE

BYE

N-1 **Joey Spear**

Middletown, PA  
BYE

J. Spear  
BYE

J. Furgeson Jr  
DEC 7-4

4123  
8

K. Kravits  
TF 19-4 3:31

4186  
5

T. Pisarchuk  
F 2:49

4124  
7

J. Spear  
DEC 4-0

K. Kravits  
DEC 11-6

K. Kravits  
1st  
DEC 3-0

T. Pisarchuk  
DEC 4-0

L4019 L BYE L L. Morales BYE 4090 D. Hogan FOR

L BYE L4057 D. Hogan 8 4125 J. Eveland DEC 7-6

L BYE L BYE L J. Eveland BYE 4151 J. Eveland FOR

L BYE L4056 J. Eveland BYE L4123 J. Furgeson Jr FOR

L BYE L BYE L D. Grafton BYE 4183 J. Spear 3rd F 2:16

L BYE L4055 D. Grafton BYE 4126 K. Keefe F 2:36

L BYE L BYE L K. Keefe BYE 4152 J. Spear DEC 2-0

L BYE L4054 K. Keefe BYE L4124 J. Spear 8

L4151 J. Furgeson Jr FOR 4184 K. Keefe 5th FOR

L4152 K. Keefe 8 FOR DEC 2-0

L4125 D. Hogan DEC 7-6 D. Hogan 7th FOR

L4126 D. Grafton F 2:36 4185 D. Hogan FOR

S-1 **Joshua Negron**

Georgetown, DE  
BYE

J. Negron  
BYE  
4058  
14

MD-MAWA Eastern Nationals

Open

190

W-3 **Joseph Beck**

Slippery Rock, PA  
4020  
9

A. Piazza  
DEC 2-1 UTB

E-3 **Angelo Piazza**

Glen Rock, NJ

A. Piazza  
DEC 5-2

W-2 **Collin Milko**

Carnegie, PA  
4021  
14

D. Lee  
F 4:12

E-4 **Davis Lee**

Fairless Hills, PA  
BYE

4059  
14

S-1 **Alex Wolfe**

Carlisle, PA

A. Wolfe  
BYE

E-2 **Max Barsky**

Horsham, PA  
BYE

M. Barsky  
BYE  
4060  
9

N-3 **Connor Munley**

Tunkhannock, PA  
4022  
9

J. Burch  
DEC 3-0

S-3 **Joe Burch**

Charlottesville, VA

J. Burch  
DEC 3-0

N-2 **Ryder Slayton**

Canisteo, NY  
BYE

R. Slayton  
BYE

BYE

W-1 **Radio Rickens**

Gallitzin, PA

R. Rickens  
BYE  
4061  
4

A. Piazza  
DEC 2-1 UTB  
4127  
7

A. Wolfe  
DEC 10-3

J. Burch  
DEC 3-2 UTB

4128  
8

R. Slayton  
DEC 3-0

A. Wolfe  
DEC 4-2

4190  
1

J. Burch  
DEC 3-1

J. Burch  
1st  
DEC 3-2

BYE

L4020 J. Beck

J. Beck  
BYE

4091  
9

R. Rickens  
DEC 4-2 SV

L4021 C. Milko

L4061 R. Rickens

4129  
8

R. Rickens  
DEC 7-5

4153  
7

A. Piazza  
DEC 4-3

L BYE

C. Milko  
BYE

4092  
14

C. Milko  
DEC 5-1

L4127 A. Piazza

L BYE

L4060 M. Barsky

4093  
8

D. Lee  
DEC 5-3

4187  
6

R. Slayton  
3rd  
MD 8-0

L4022 C. Munley

C. Munley  
BYE

D. Lee

4130

J. Negron  
FOR

L BYE

L4059 BYE

J. Negron

4154  
8

R. Slayton  
DEC 3-1

L BYE

L4058 J. Negron

BYE

L4128 R. Slayton

L4153 R. Rickens  
DEC 4-3

4188  
5th

J. Negron

L4154 J. Negron  
DEC 3-1

3  
F 3:34

L4129 C. Milko  
DEC 7-5

4189  
7th

C. Milko

L4130 D. Lee  
FOR

FOR

S-2 **Bryan DePhillip**

Berlin, MD		B. DePhillip
BYE		BYE
		<b>4062</b>
		8

E-5 <b>Dave Alley</b>		D. Alley
Morrisville, PA		BYE
		<b>4063</b>
		7

W-4 <b>Ethan Markel</b>		E. Markel
Hanover, PA		BYE
		<b>4064</b>
		9

N-4 <b>Richie Hizynski</b>		R. Hizynski
Wilkes-Barre, PA		BYE
		<b>4065</b>
		4

E-1 <b>Michael Amaro</b>		M. Amaro
Clifton, NJ		BYE
		<b>4066</b>
		7

N-6 <b>Trevor Parrish</b>		T. Parrish
Kirkwood, NY		BYE
		<b>4067</b>
		8

W-4 <b>Neal Rinker</b>		N. Rinker
New Oxford, PA		BYE
		<b>4068</b>
		9

N-5 <b>Gabriel Kennedy-Citeroni</b>		G. Kennedy-Citeroni
Blairsville, PA		BYE
		<b>4069</b>
		7

W-1 <b>Thomas Provance</b>		T. Provance
Connellsville, PA		BYE
		<b>4070</b>
		8

MD-MAWA Eastern Nationals

Open

220

B. DePhillip	DEC 9-2	<b>4131</b>	7
--------------	---------	-------------	---

R. Hizynski	DEC 5-0	<b>4132</b>	8
-------------	---------	-------------	---

M. Amaro	MD 10-0	<b>4133</b>	8
----------	---------	-------------	---

M. Amaro	MD 9-0	<b>4134</b>	9
----------	--------	-------------	---

B. DePhillip	DEC 4-0	<b>4194</b>	8
--------------	---------	-------------	---

M. Amaro  
1st  
F 4:25

BYE		BYE
		BYE
		BYE

BYE		BYE
		BYE
		BYE

BYE		BYE
		BYE
		BYE

BYE		BYE
		BYE
		BYE

G. Kennedy-Citeroni	DEC 4-3	<b>4133</b>	7
---------------------	---------	-------------	---

R. Hizynski	DEC 6-1	<b>4155</b>	8
-------------	---------	-------------	---

G. Kennedy-Citeroni	DEC 6-1	<b>4191</b>	9
---------------------	---------	-------------	---

G. Kennedy-Citeroni  
3rd  
DEC 6-2

L4155	R. Hizynski	DEC 6-1	<b>4192</b>	R. Hizynski
				5th
L4156	T. Provance			FOR
				FOR

L4133	N. Rinker	DEC 4-3	<b>4193</b>	D. Alley
				7th
L4134	D. Alley			FOR
				FOR

S-1 **Vincent Walls**

West Grove, PA  
BYE

V. Walls  
BYE

4066  
8

MD-MAWA Eastern Nationals

Open  
295

W-4 **Kyle Jasper**

Smokerun, PA

4024  
8

K. Jasper  
DEC 9-6

E-2 **Justin Gomez**

North Bergen, NJ

W-3 **Russel Reed**

Le Roy, NY

4025  
9

R. Reed  
DEC 8-4 SV

E-4 **Yousef Lotfi**

Plainville, MA

N-4 **Dylan Devine**

Glen Burnie, MD

4026  
7

D. Devine  
DEC 3-1 SV

N-1 **John Cambra**

Barnesville, PA

E-1 **Jason Reeves**

Trenton, NJ

BYE

J. Reeves  
BYE

4068  
7

N-3 **Shaheed Sledge**

Endicott, NY

4027  
8

C. Schildt  
F 1:14

S-2 **Collin Schildt**

Baltimore, MD

N-2 **Shannon Core**

Scranton, PA

4028  
14

A. Rossi  
DEC 2-1 UTB

S-3 **Anthony Rossi**

Fairfax, VA

4069  
9

A. Rossi  
DEC 7-5

E-5 **Jadian Mackenzie**

North Franklin, CT

4029  
14

J. Elliott  
FOR

W-2 **Johnathan Elliott**

Homer City, PA

BYE

L4024 J. Gomez  
BYE

J. Gomez  
BYE

4095  
9

J. Gomez  
DEC 6-2

L4025 Y. Lotfi  
L4069 J. Elliott

J. Elliott

4137  
8

L4026 J. Cambra  
DEC 6-2

J. Cambra

4096  
8

J. Cambra  
F 2:27

L4027 S. Sledge  
BYE

S. Sledge  
BYE

4097  
9

R. Reed  
DEC 4-1

L4028 S. Core  
L4067 R. Reed

R. Reed

4138  
8

L4029 J. Mackenzie  
FOR

S. Core  
FOR

4098  
8

S. Core  
DEC 5-2

L4137 J. Cambra  
F 1:17

J. Cambra

4157  
7

D. Devine  
DEC 2-1 UTB

L4135 D. Devine  
L4136 C. Schildt

C. Schildt

4195  
12

C. Schildt  
3rd  
DEC 3-2

L4157 J. Gomez  
DEC 2-1 UTB

J. Gomez  
5th

4196

S. Core  
FOR

L4158 S. Core  
F 3:55

L4137 J. Cambra  
F 1:17

J. Cambra  
7th

4197  
9

R. Reed  
DEC 2-0

L4138 R. Reed  
DEC 5-3 SV